

Neuma Doors Transom

Assembly Instruction



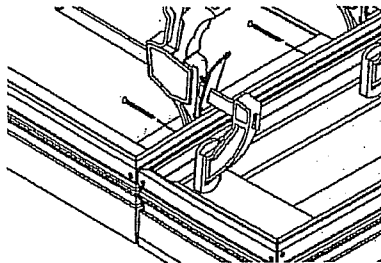
SA060 Aluminum Join Parts
For outswing door transoms



SA052 Aluminum Join Parts
For inwing & gliding door
transoms



PS051 In/Out side Trim Cover



JOIN DOOR & TRANSOM UNITS

1. Position Aluminum Join between transom and Patio door unit, slide and clamp units together, do not extend Aluminum Join Piece out of units.
2. Pre-drilling Aluminum Join Piece installation holes using 13/32" drill bit through frame pilot hole.
3. Use #10x/2" flathead screw to fasten from the door units to transom, and fasten the #10x2-1/2" screw from the transom to the door units.
4. Plug the screw hole with plugs.

④ Screws & Plugs

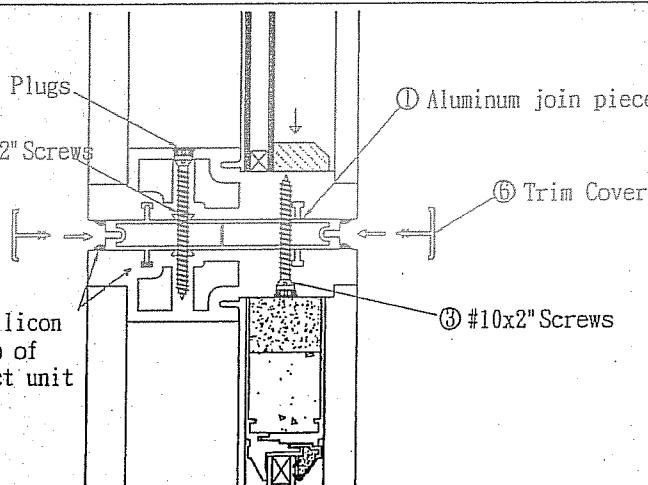
② #10x2-1/2" Screws

⑤ Put the silicon to the gap of the connect unit

① Aluminum join piece

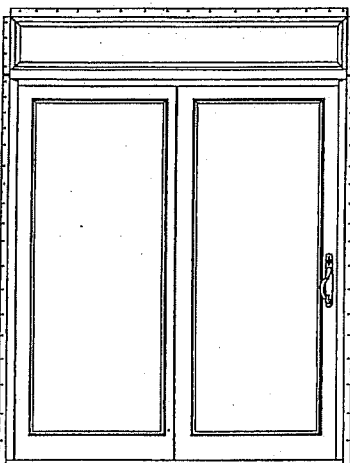
⑥ Trim Cover

③ #10x2" Screws



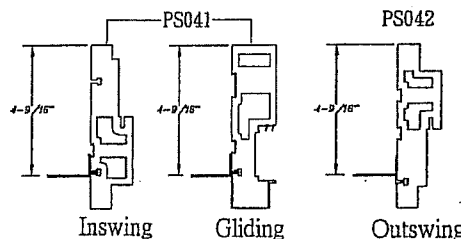
POSITION TRIM COVERS

1. Put the silicon to the gap of the connect unit to make fully seated.
2. Position Interior/Exterior Trim Cover into Aluminum Join Piece and tap into using a hammer and wood block until it fully covered.



⑦ Nailing-Fin

⑧ Stamp

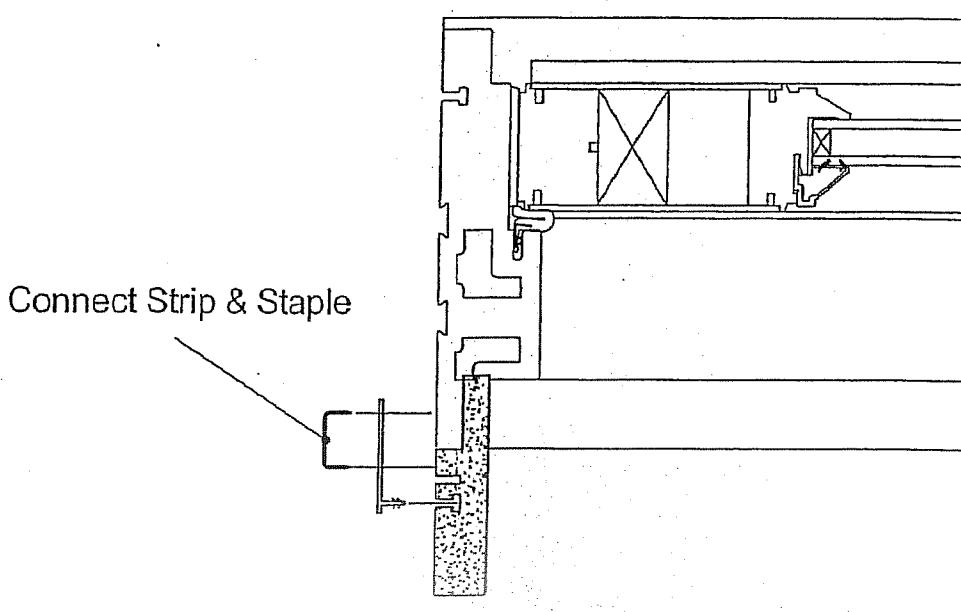


Nailing-fin installation

1. Put the Nailing-fin on the transom in the correct direction.
1. Inswing & Gliding use the PS041 nailing-fin; Outswing use the PS042 nailing-fin.
2. Put the Nailing-fin on the transom in the correct direction.
3. Stamp the 1/2" nail to connect the frame and nailing-fin.

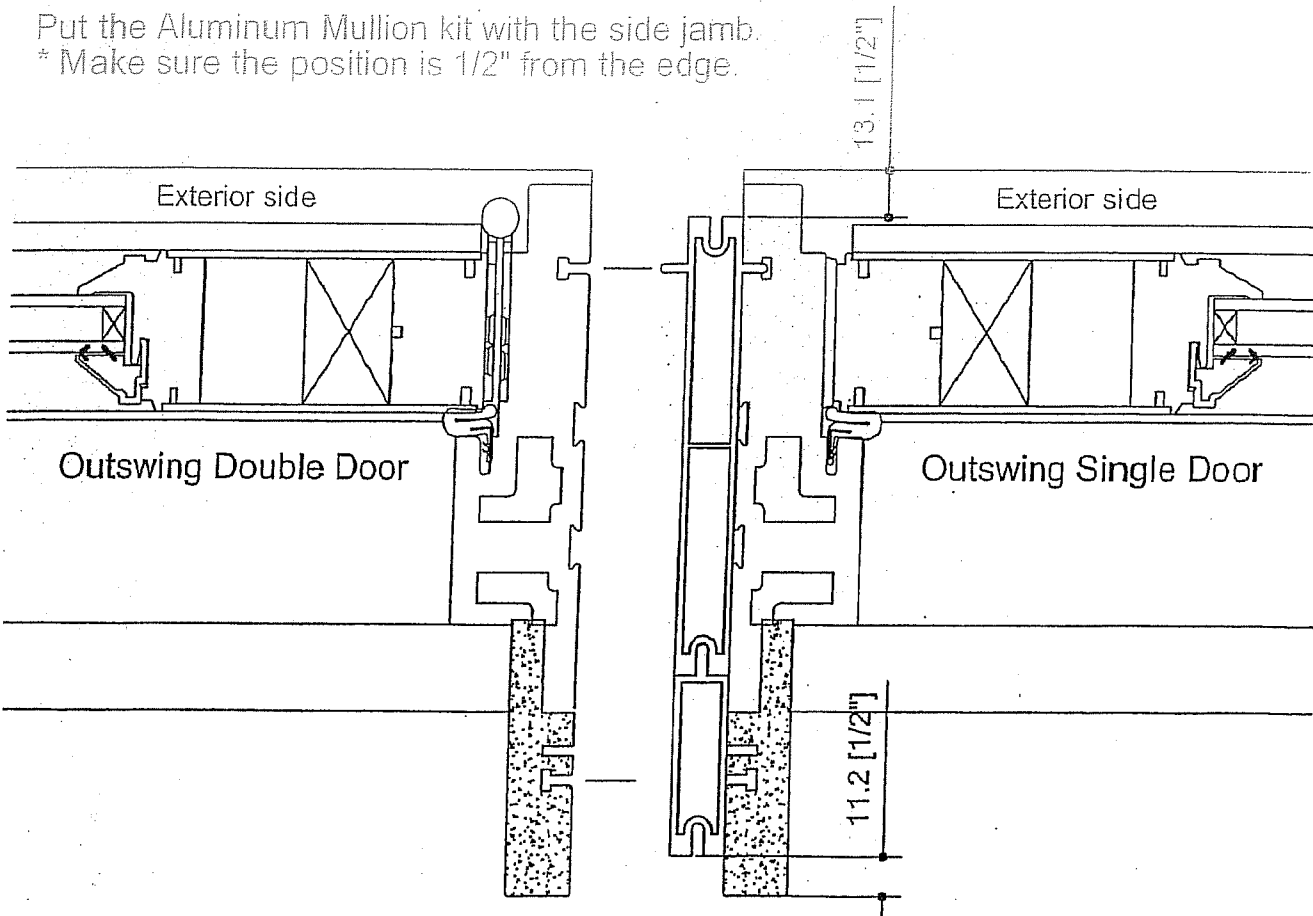
[Step 1]

Remove the PVC connect strip from the jamb of connect side.



[Step 2]

Put the Aluminum Mullion kit with the side jamb.
* Make sure the position is 1/2" from the edge.

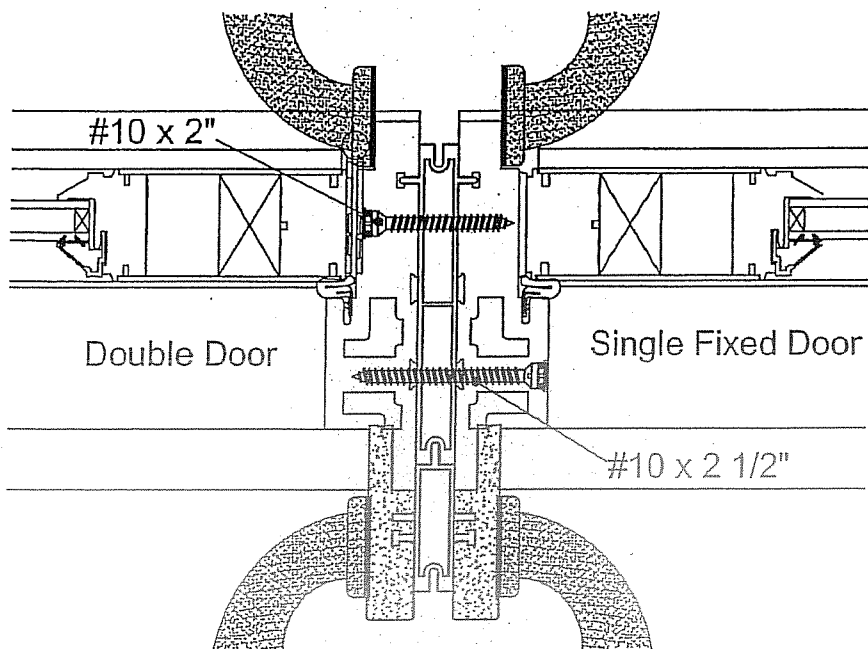


[Step 3]

Use C-clip to clip both side jamb together.

[Step 4]

Put the 2-1/2" and 2" screw into the installation screw hole.



[Step 5]

Caulk the silicon into the gap and make sure it fully sealed.

[Step 6]

Use the trim cover to cover the Aluminum mullion kit in both side.

