



DEPARTMENT OF REGULATORY AND ECONOMIC RESOURCES (RER)
BOARD AND CODE ADMINISTRATION DIVISION

MIAMI-DADE COUNTY
PRODUCT CONTROL SECTION
11805 SW 26 Street, Room 208
T (786) 315-2590 F (786) 315-2599

www.miamidade.gov/economy

NOTICE OF ACCEPTANCE (NOA)

Nan Ya Plastics Corporation USA
8989 North Loop East
Suite 800
Houston, TX 77029

SCOPE:

This NOA is being issued under the applicable rules and regulations governing the use of construction materials. The documentation submitted has been reviewed and accepted by Miami-Dade County RER - Product Control Section to be used in Miami Dade County and other areas where allowed by the Authority Having Jurisdiction (AHJ).

This NOA shall not be valid after the expiration date stated below. The Miami-Dade County Product Control Section (In Miami Dade County) and/or the AHJ (in areas other than Miami Dade County) reserve the right to have this product or material tested for quality assurance purposes. If this product or material fails to perform in the accepted manner, the manufacturer will incur the expense of such testing and the AHJ may immediately revoke, modify, or suspend the use of such product or material within their jurisdiction. RER reserves the right to revoke this acceptance, if it is determined by Miami-Dade County Product Control Section that this product or material fails to meet the requirements of the applicable building code.

This product is approved as described herein, and has been designed to comply with the Florida Building Code, including the High Velocity Hurricane Zone.

DESCRIPTION: Series "Impact OS Transom" Aluminum Clad White PVC Fixed Window – L.M.I.

APPROVAL DOCUMENT: Drawing No. NAN0018, titled "Impact O.S. Transom", sheets 1 through 5 of 5, dated 01/26/09, with revision C dated 07/01/14, prepared by PTC, LLC, signed and sealed by Robert J. Amoruso, P.E., bearing the Miami-Dade County Product Control Section Revision stamp with the Notice of Acceptance number and expiration date by the Miami-Dade County Product Control Section.

MISSILE IMPACT RATING: Large and Small Missile Impact Resistant

LABELING: Each unit shall bear a permanent label with the manufacturer's name or logo, city, state, model/series, and following statement: "Miami-Dade County Product Control Approved", unless otherwise noted herein.

RENEWAL of this NOA shall be considered after a renewal application has been filed and there has been no change in the applicable building code negatively affecting the performance of this product.

TERMINATION of this NOA will occur after the expiration date or if there has been a revision or change in the materials, use, and/or manufacture of the product or process. Misuse of this NOA as an endorsement of any product, for sales, advertising or any other purposes shall automatically terminate this NOA. Failure to comply with any section of this NOA shall be cause for termination and removal of NOA.

ADVERTISEMENT: The NOA number preceded by the words Miami-Dade County, Florida, and followed by the expiration date may be displayed in advertising literature. If any portion of the NOA is displayed, then it shall be done in its entirety.

INSPECTION: A copy of this entire NOA shall be provided to the user by the manufacturer or its distributors and shall be available for inspection at the job site at the request of the Building Official.

This NOA revises and renews NOA# 12-0612.11 and consists of this page 1 and evidence pages E-1 and E-2, as well as approval document mentioned above.

The submitted documentation was reviewed by Manuel Perez, P.E.



Handwritten signature and date: 8/12/14

NOA No. 14-0708.02
Expiration Date: July 15, 2019
Approval Date: August 21, 2014
Page 1

NOTICE OF ACCEPTANCE: EVIDENCE SUBMITTED

A. DRAWINGS

1. Manufacturer's die drawings and sections.
2. Drawing No. **NAN0018**, titled "Impact O.S. Transom", sheets 1 through 5 of 5, dated 01/26/09, with revision C dated 07/01/14, prepared by PTC, LLC, signed and sealed by Robert J. Amoruso, P.E.

B. TESTS

1. Test reports on:
 - 1) Air Infiltration Test, per FBC, TAS 202-94
 - 2) Uniform Static Air Pressure Test, Loading per FBC TAS 202-94
 - 3) Water Resistance Test, per FBC, TAS 202-94
 - 4) Large Missile Impact Test per FBC, TAS 201-94
 - 5) Cyclic Wind Pressure Loading per FBC, TAS 203-94
 - 6) Forced Entry Test, per FBC 2411 3.2.1, TAS 202-94

along with marked-up drawings and installation diagram of an out-swing transom, prepared by ETC Laboratories, Test Report No. **ETC-08-209-21116.0**, dated 05/22/08 to 08/01/08, and addendum letter dated 04/09/09, all signed and sealed by Joseph Labora Doldan, P.E.

(Submitted under NOA No. 09-0305.03)

2. Test reports on:
 - 1) Smoke Density Test, per FBC, ASTM D 2843
 - 2) Test for rate of Burning, per FBC, ASTM D 635
 - 3) Self Ignition Temperature, per FBC, ASTM D 1929
 - 4) Tensile Property Tests, per FBC, ASTM D 638

along with marked-up drawings and installation diagram of SMC Fiberglass Material, Rigid PVC and Cellular PVC, all prepared by ETC Laboratories, Inc., Test Reports No. **ETC-05-255-16776.1** dated 07/06/06, **ETC-05-255-17144.1** dated 06/30/08 and **ETC-05-255-16777.1** dated 04/26/06, all signed and sealed by Joseph Labora Doldan, P.E.

(Submitted under NOA No. 09-0305.03)

3. Test reports on:
 - 1) Surface Burning Test, per FBC, ASTM E 84along with marked-up drawings and installation diagram of Phenolic Foam Board, prepared by ETC Laboratories, Inc., Test Report No. **ETC-06-255-17412.1**, dated 04/25/06 with revision dated 06/28/06, signed and sealed by Joseph Labora Doldan, P.E.
(Submitted under NOA No. 09-0305.03)



Manuel Perez, P.E.

Product Control Examiner

NOA No. 14-0708.02

Expiration Date: July 15, 2019

Approval Date: August 21, 2014

Nan Ya Plastics Corporation USA

NOTICE OF ACCEPTANCE: EVIDENCE SUBMITTED

C. CALCULATIONS

1. Anchor verification calculations and structural analysis, complying with **FBC-2010**, dated 06/30/14, prepared by PTC, LLC, signed and sealed by Robert J. Amoruso, P.E.
2. Glazing complies with **ASTM E1300-04**.

D. QUALITY ASSURANCE

1. Miami-Dade Department of Regulatory and Economic Resources (RER)

E. MATERIAL CERTIFICATIONS

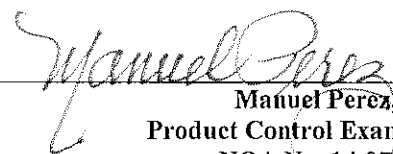
1. Notice of Acceptance No. **14-0423.17** issued to **Eastman Chemical Company (MA)** for their "**Saflex Clear and Color Glass Interlayers**" dated 06/19/14, expiring on 05/21/16.

F. STATEMENTS

1. Statement letter of conformance, complying with **FBC-2010, FBC-5th Edition (2014)**, and of no financial interest, dated July 1, 2014, issued by PTC Product Design Group, LLC, signed and sealed by Robert J. Amoruso, P.E.
2. Laboratory compliance letters for Test Report No. **ETC-08-209-21116.0**, issued by ETC Laboratories, dated 08/01/08, signed and sealed by Joseph Labora Doldan, P.E. *(Submitted under NOA No. 09-0305.03)*
3. Laboratory compliance letters for Test Reports No. **ETC-05-255-16776.1** dated 07/06/06, **ETC-05-255-17144.1** dated 06/30/08, and **ETC-05-255-16777.1** dated 04/26/06, all issued by ETC Laboratories, all signed and sealed by Joseph Labora Doldan, P.E. *(Submitted under NOA No. 09-0305.03)*
4. Laboratory compliance letters for Test Report No. **ETC-06-255-17412.1**, issued by ETC Laboratories, dated 06/28/06, signed and sealed by Joseph Labora Doldan, P.E. *(Submitted under NOA No. 09-0305.03)*

G. OTHERS

1. Notice of Acceptance No. **12-0612.11**, issued to Nan Ya Plastics Corporation USA for their Series "Impact O.S. Transom" Aluminum Clad White PVC Fixed Window - L.M.I., approved on 07/26/12 and expiring on 07/15/14.



Manuel Perez, P.E.
Product Control Examiner
NOA No. 14-0708.02

Expiration Date: July 15, 2019
Approval Date: August 21, 2014

NAN-YA PLASTICS CORP. IMPACT O.S. TRANSOM INSTALLATION ANCHORAGE DETAILS

GENERAL NOTES:

- 1. THIS PRODUCT IS DESIGNED TO COMPLY WITH THE HIGH VELOCITY HURRICANE ZONE (HVHZ) OF THE CURRENT EDITION OF THE FLORIDA BUILDING CODE (FBC) AT THE DESIGN PRESSURE(S) STATED HEREIN. THE PRODUCT DETAILS CONTAINED HEREIN ARE BASED UPON SIGNED AND SEALED TEST REPORT # ETC-08-209-21116.0 DATED 08/11/08 AND ASSOCIATED LABORATORY STAMPED DRAWINGS AND WERE TESTED IN ACCORDANCE WITH CURRENT DADE COUNTY PROTOCOLS.
- 2. ADEQUACY OF THE EXISTING STRUCTURAL CONCRETE MASONRY AND 2X FRAMING AS A MAIN WIND FORCE RESISTING SYSTEM CAPABLE OF WITHSTANDING AND TRANSFERRING APPLIED PRODUCT LOADS TO THE STRUCTURE IS THE RESPONSIBILITY OF THE ENGINEER OR ARCHITECT OF RECORD.
- 3. 1X AND 2X BUCKS (WHEN USED) SHALL BE DESIGNED AND ANCHORED TO PROPERLY TRANSFER ALL LOADS TO THE STRUCTURE. BUCK DESIGN AND INSTALLATION IS THE RESPONSIBILITY OF THE ENGINEER OR ARCHITECT OF RECORD.

- 4. IN AREAS WHERE WIND-BORNE DEBRIS PROTECTION REQUIREMENTS EXIST, USE OF AN APPROVED MIAMI DADE IMPACT PROTECTIVE SYSTEM IS NOT REQUIRED FOR THIS PRODUCT.
- 5. WINDOW FRAME MATERIAL: FOAM PVC W/ KERF
- 6. GLASS MEETS THE REQUIREMENTS OF ASTM E1300-04e1.
- 7. DESIGNATION "O" STANDS FOR THE FOLLOWING:
O: FIXED PANEL
- 8. A 1/3 INCREASE IN ALLOWABLE STRESS FOR WIND LOADS WAS NOT USED IN THE DESIGN OF THE PRODUCT(S) SHOWN HEREIN. WIND LOAD DURATION FACTOR (Cd = 1.6) HAS BEEN USED FOR WOOD ANCHOR DESIGN.

INSTALLATION NOTES:

- 1. ONE (1) INSTALLATION ANCHOR IS REQUIRED AT EACH ANCHOR LOCATION SHOWN.
- 2. THE NUMBER OF INSTALLATION ANCHORS DEPICTED IS THE MINIMUM NUMBER OF ANCHORS TO BE USED FOR PRODUCT INSTALLATION.
- 3. SHIM AS REQUIRED AT EACH INSTALLATION ANCHOR WITH LOAD BEARING SHIM(S). MAXIMUM ALLOWABLE SHIM SIZE IS 1/4 INCH. SHIM WHERE SPACE OF 1/16 INCH OR GREATER OCCURS. SHIM(S) SHALL BE CONSTRUCTED OF HIGH DENSITY PLASTIC OR BETTER.
- 4. FOR INSTALLATION INTO WOOD FRAMING, USE #10 WOOD SCREWS OF SUFFICIENT LENGTH TO ACHIEVE 1 1/4 INCH MINIMUM EMBEDMENT. MINIMUM EDGE DISTANCE IS 3/4 INCH.
- 5. FOR INSTALLATION THROUGH 1X BUCK TO CONCRETE / MASONRY, OR DIRECTLY INTO CONCRETE / MASONRY, USE THE FOLLOWING:
 - 5.1. HEAD AND SILL: 3/16 INCH ITW ADVANCED THREADFORM TAPCONS OF SUFFICIENT LENGTH TO ACHIEVE 1 1/2 INCH MINIMUM EMBEDMENT INTO CONCRETE. MINIMUM EDGE DISTANCE IS 1 1/8 INCHES. MINIMUM ANCHOR SEPARATION IS 3 INCHES.
 - 5.2. JAMBS: 3/16 INCH ITW ADVANCED THREADFORM TAPCONS OF SUFFICIENT LENGTH TO ACHIEVE 1 1/2 INCH MINIMUM EMBEDMENT INTO CONCRETE AND 1 INCH MINIMUM EMBEDMENT INTO MASONRY. MINIMUM EDGE DISTANCE IS 1 1/8 INCHES IN CONCRETE AND 2 INCHES IN MASONRY. MINIMUM ANCHOR SEPARATION IS 3 INCHES.
- 6. MINIMUM EMBEDMENT AND EDGE DISTANCE EXCLUDE WALL FINISHES, INCLUDING BUT NOT LIMITED TO STUCCO, FOAM, BRICK VENEER AND SIDING.
- 7. FOR CONCRETE BLOCK, DO NOT INSTALL INSTALLATION ANCHORS INTO MORTAR JOINTS. EDGE DISTANCE IS MEASURED FROM FREE EDGE OF BLOCK OR EDGE OF MORTAR JOINT INTO FACE SHELL OF BLOCK.
- 8. INSTALLATION ANCHORS SHALL BE INSTALLED IN ACCORDANCE WITH ANCHOR MANUFACTURER'S INSTALLATION INSTRUCTIONS AND ANCHORS SHALL NOT BE USED IN SUBSTRATES WITH STRENGTHS LESS THAN THE MINIMUM STRENGTH SPECIFIED BY THE ANCHOR MANUFACTURER.
- 9. INSTALLATION ANCHOR CAPACITIES FOR PRODUCTS HEREIN ARE BASED ON SUBSTRATE MATERIALS WITH THE FOLLOWING PROPERTIES:
 - 9.1. WOOD - P.T. SOUTHERN YELLOW PINE. MINIMUM SPECIFIC GRAVITY OF 0.55.
 - 9.2. CONCRETE - MINIMUM COMPRESSIVE STRENGTH OF 2500 psl..
 - 9.3. MASONRY - STRENGTH CONFORMANCE TO ASTM C-90 MEDIUM WEIGHT (DENSITY > 117 PCF).

TABLE OF CONTENTS	
SHEET	SHEET DESCRIPTION
1	GENERAL & INSTALLATION NOTES
2	ELEVATIONS & ANCHOR LAYOUTS
3	VERTICAL SECTIONS
4	HORIZONTAL SECTIONS, GLAZING DETAIL & COMPONENTS
5	BILL OF MATERIALS, CORNER DETAIL & MULLION / FRAME HEAD ASSEMBY

DESIGN PRESSURE RATING (PSF)			
UNIT SIZE	WHERE WATER INFILTRATION REQUIREMENT IS NEEDED	WHERE WATER INFILTRATION REQUIREMENT IS NOT NEEDED	IMPACT RATING
71-1/4" X 24"	±80.0	±80.0	LARGE MISSILE IMPACT
145-3/8" X 24"	±80.0	±80.0	


PROJECT NO. 414-0416

REVISION TO CURRENT CODE - RENEW	07/01/14	RJA
UPDATE TO 2010 FBC	04/16/12	TJH
REVISIONS PER MIAMI-DADE	06/03/09	BB
DESCRIPTION	DATE	BY
C		
B		
A		
REV		

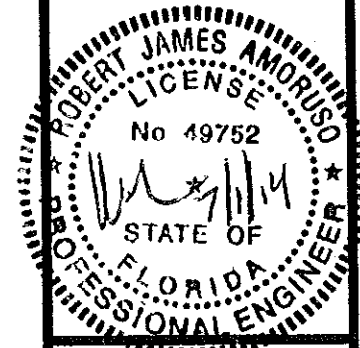
NAN YA PLASTICS CORP.
8989 NORTH LOOP EAST
HOUSTON, TX 77029


IMPACT O.S. TRANSOM
GENERAL & INSTALLATION NOTES

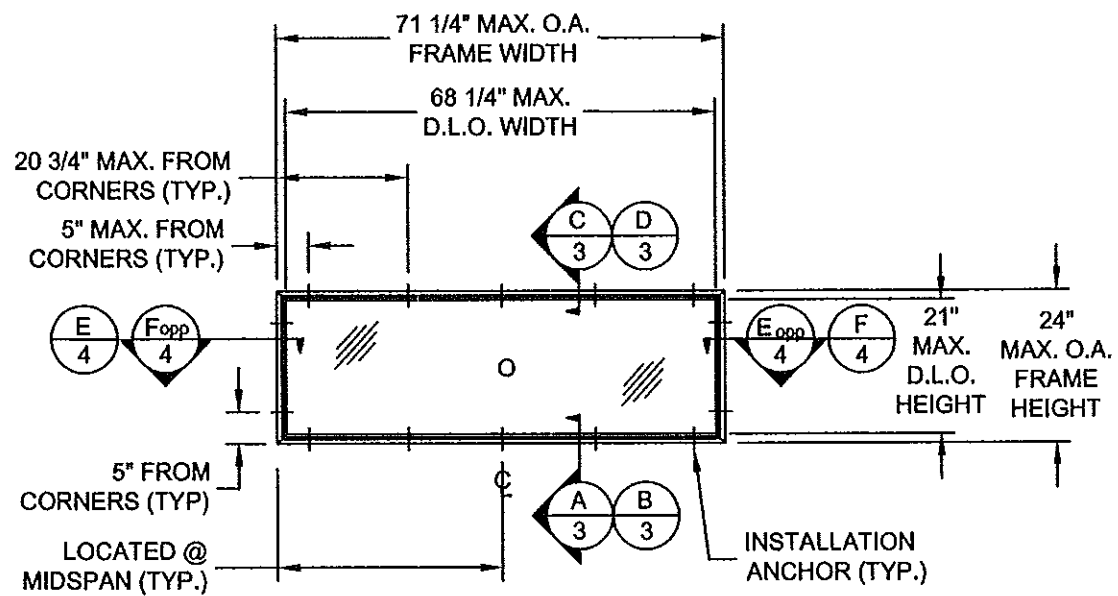
DRAWN BY: BB
DATE: 01/26/09
SCALE: N.T.S.
DRAWING NO: NAN0018
REV: C
SHEET: 1 OF 5

PREPARED BY: 
PDC PRODUCT DESIGN GROUP, LLC
LONGWOOD, FLORIDA 32752
Phone: 321.690.1788
Fax: 321.690.1789
Email: info@pdc-corp.com

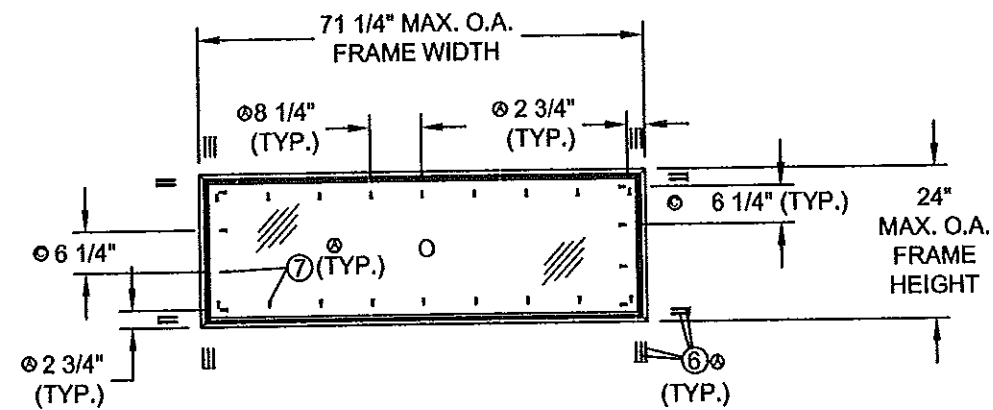
Robert J. Amoroso, P.E.
FL P.E. No. 49752



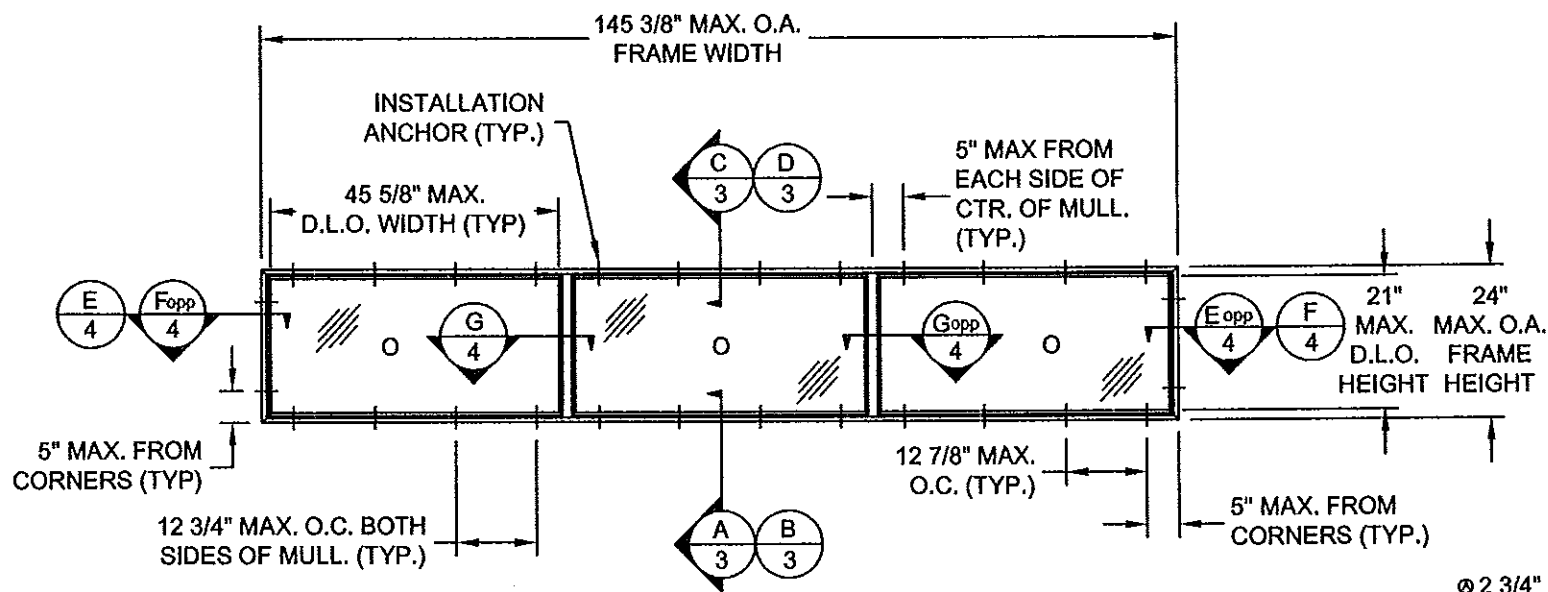
PRODUCT REVISED as complying with the Florida Building Code
Acceptance No. 14-0708-02
Expiration Date July 15, 2014
By: 
Miami Dade Product Control



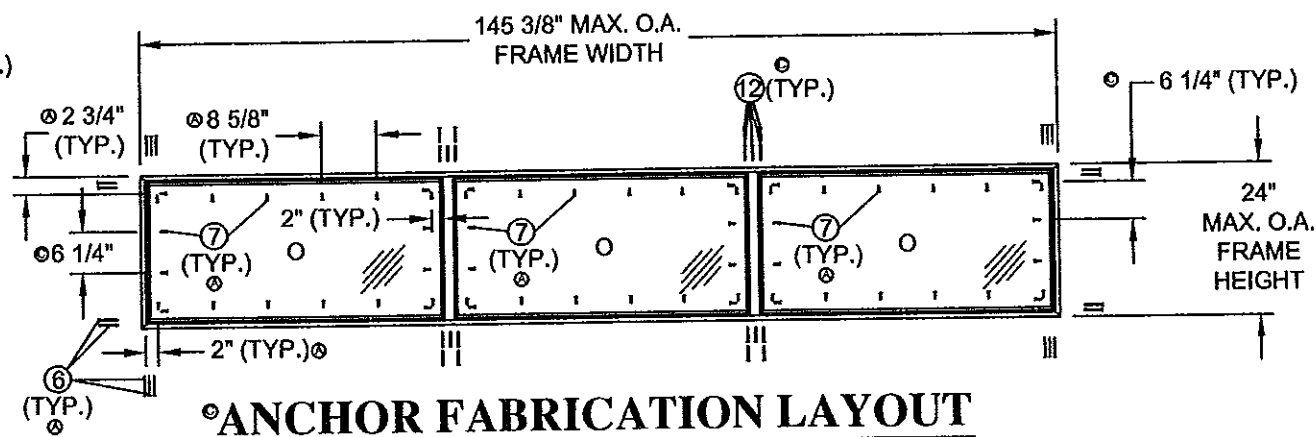
ELEVATION & ANCHOR LAYOUT
EXTERIOR VIEW



ANCHOR FABRICATION LAYOUT
(GLAZING BEAD AND CORNER CONSTRUCTION FASTENING)
EXTERIOR VIEW
SEE SHEET 5 FOR ADDITIONAL CORNER CONSTRUCTION DETAILS



ELEVATION & ANCHOR LAYOUT
EXTERIOR VIEW



ANCHOR FABRICATION LAYOUT
(GLAZING BEAD AND CORNER CONSTRUCTION FASTENING)
EXTERIOR VIEW
SEE SHEET 5 FOR ADDITIONAL CORNER CONSTRUCTION DETAILS

PROJECT NO. 414-0416

REVISE TO CURRENT CODE - RENEW	07/01/14	RJA
UPDATE TO 2010 FBC	04/16/12	TJH
REVISIONS PER MIAMI-DADE	06/03/09	BB
DESCRIPTION	DATE	BY

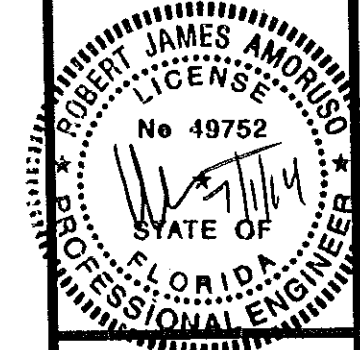
NAN YA PLASTICS CORP.
8989 NORTH LOOP EAST
HOUSTON, TX 77029

IMPACT O.S. TRANSON
ELEVATIONS & ANCHOR LAYOUTS

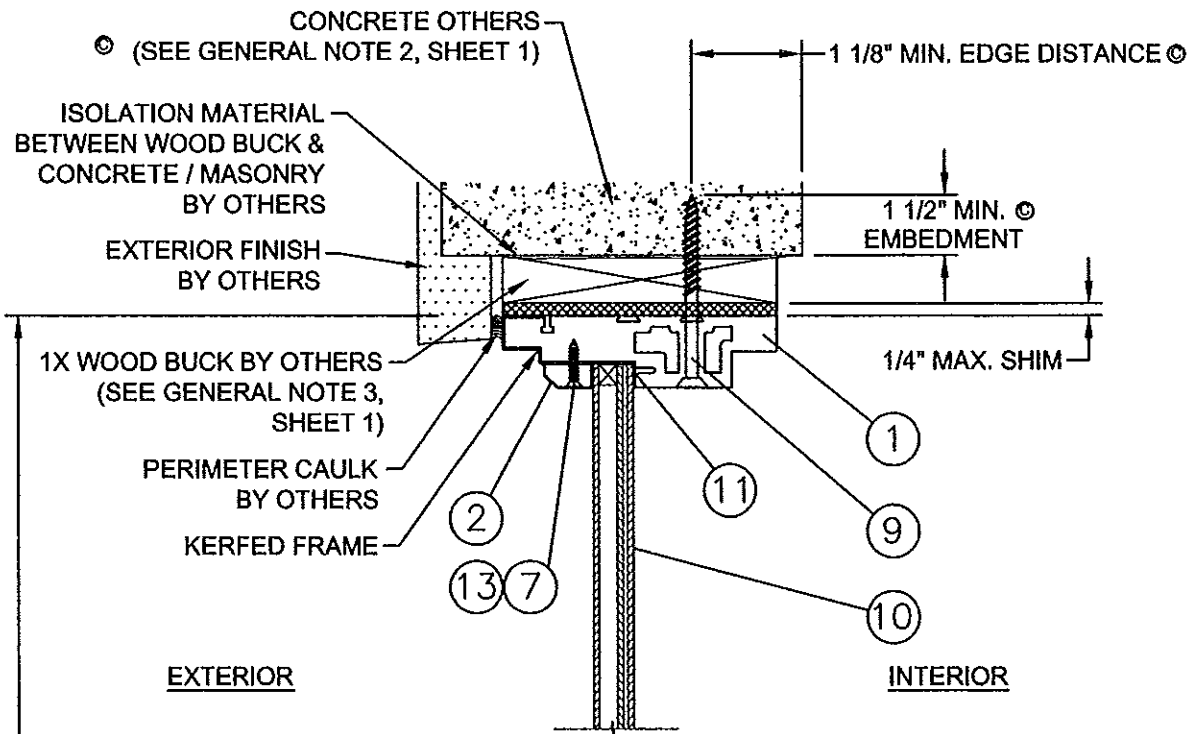
DATE:	01/26/09
DRAWN BY:	BB
DRAWING NO.:	NAN0018
SCALE:	N.T.S.
REV.:	C
SHEET:	2 OF 5



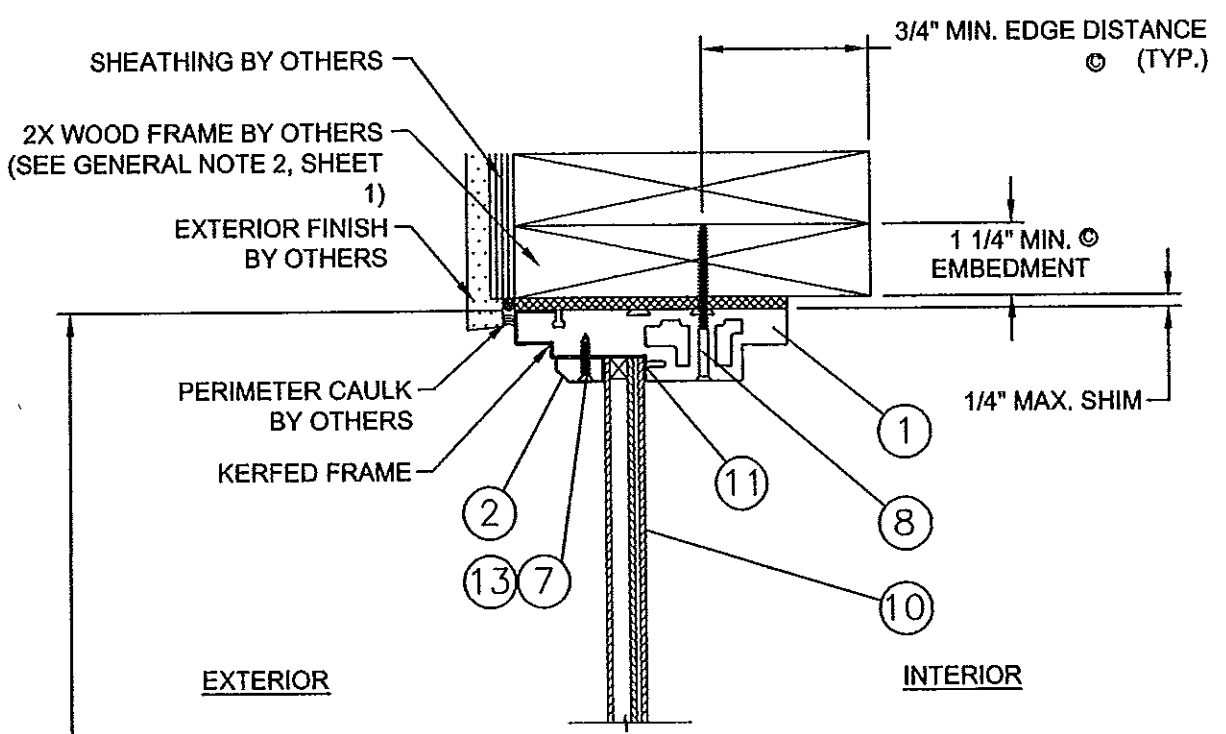
Robert J. Amoruso, P.E.
FL P.E. No. 49752



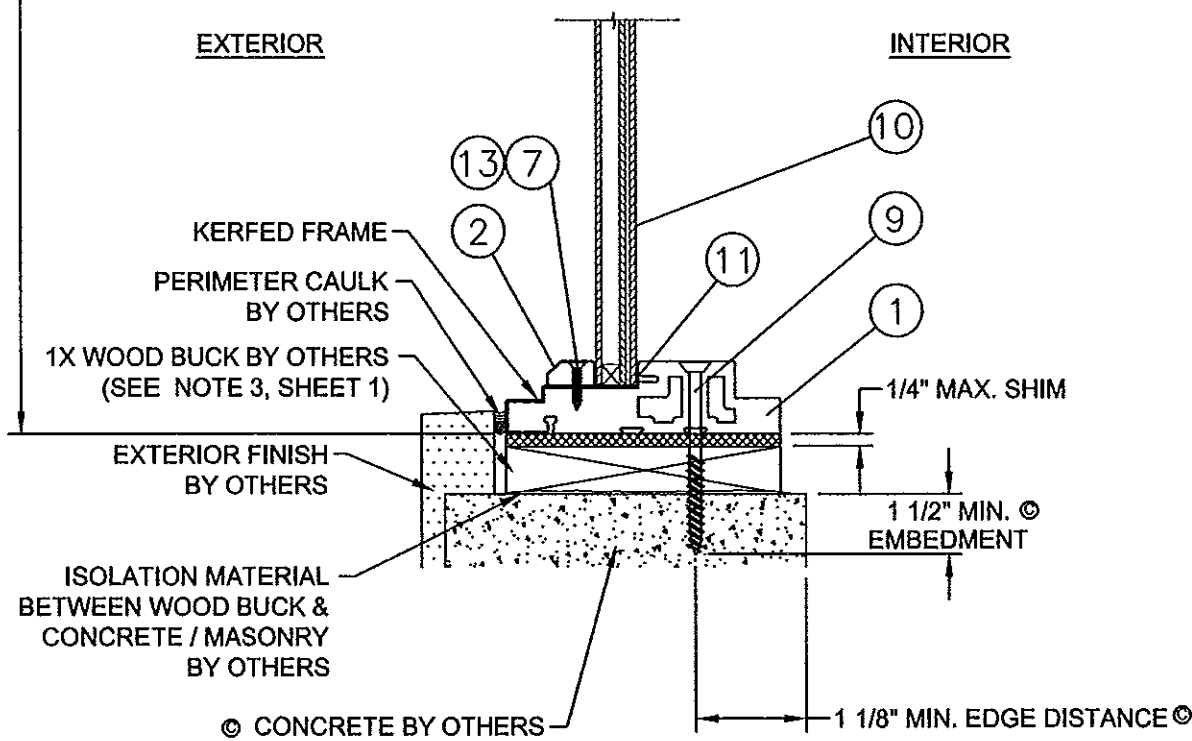
PRODUCT REVISED as complying with the Florida Building Code
Acceptance No 14-0708-02
Expiration Date July 15, 2015
By *[Signature]*
Miami Dade Product Control



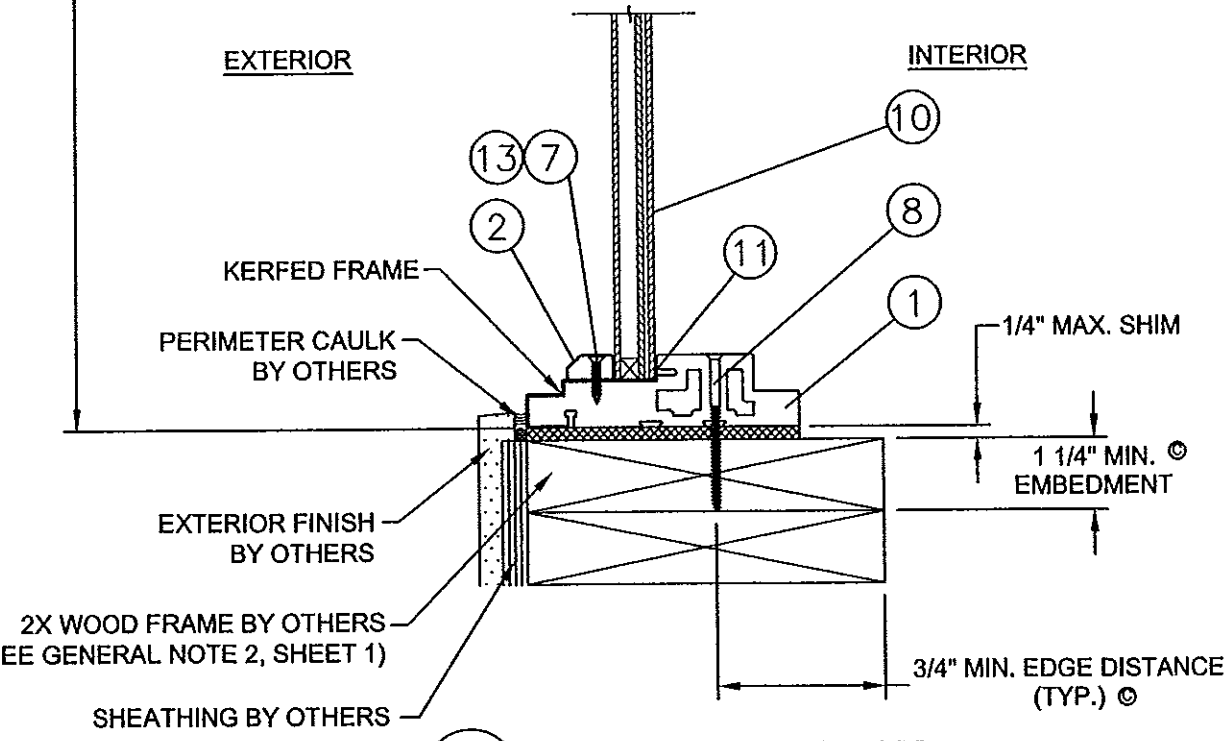
C VERTICAL SECTION
CONCRETE / MASONRY SUBSTRATE



D VERTICAL SECTION
WOOD FRAME SUBSTRATE



A VERTICAL SECTION
CONCRETE / MASONRY SUBSTRATE



B VERTICAL SECTION
WOOD FRAME SUBSTRATE

24"
MAX. O.A.
FRAME
HEIGHT

24"
MAX. O.A.
FRAME
HEIGHT

PROJECT NO. 414-0416

REVISION TO CURRENT CODE - RENEW	07/01/14	RJA
UPDATE TO 2010 FBC	04/16/12	TJH
REVISIONS PER MIAMI-DADE	06/03/09	BB
DESCRIPTION	DATE	BY
C		
B		
A		
REV		

NAN YA PLASTICS CORP.
8989 NORTH LOOP EAST
HOUSTON, TX 77029

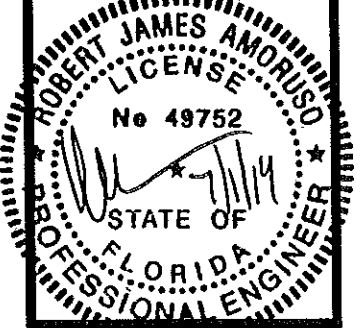
IMPACT O.S. TRANSOM
VERTICAL SECTIONS

DATE: 01/26/09
DRAWING NO: NAN0018
SCALE: N.T.S.
SHEET: 3 OF 5

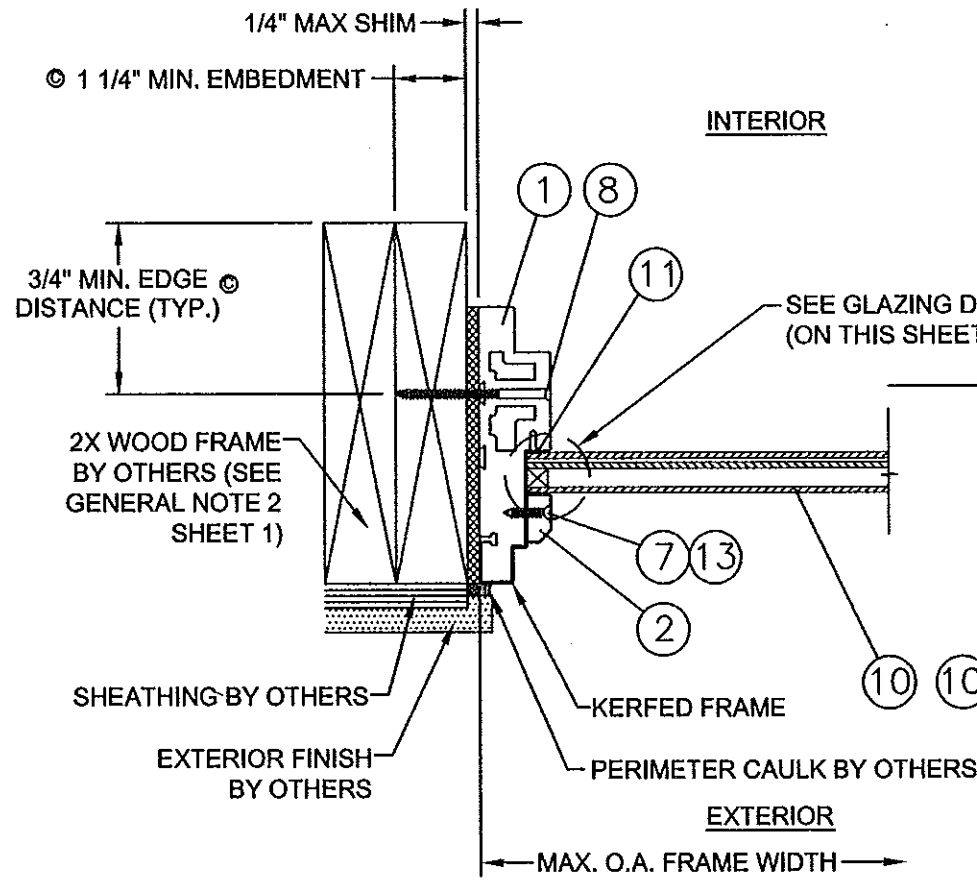
PREPARED BY: BB
DRAWN BY: N.T.S.
REV: C

PTC PRODUCT DESIGN GROUP, LLC
PO BOX 1030014
LONG BEACH, CA 92702
Phone: 321.690.1788
Fax: 321.690.1789
Email: info@pdc-grp.com

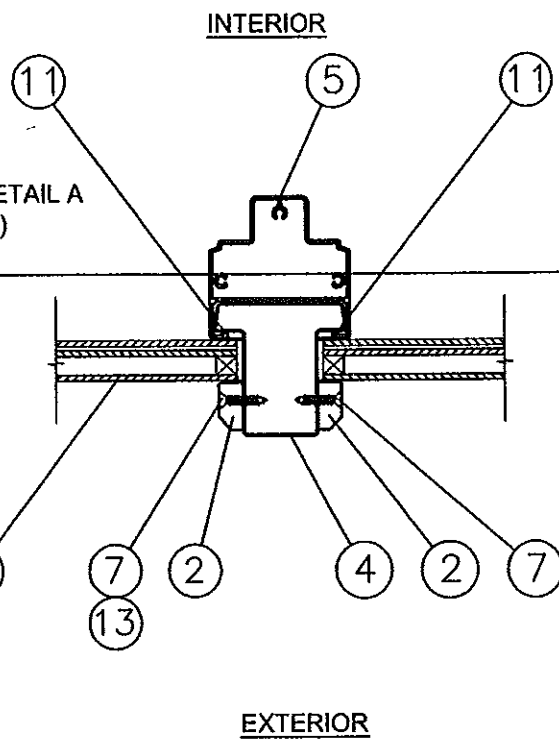
Robert J. Amoruso, P.E.
FL P.E. No. 49752



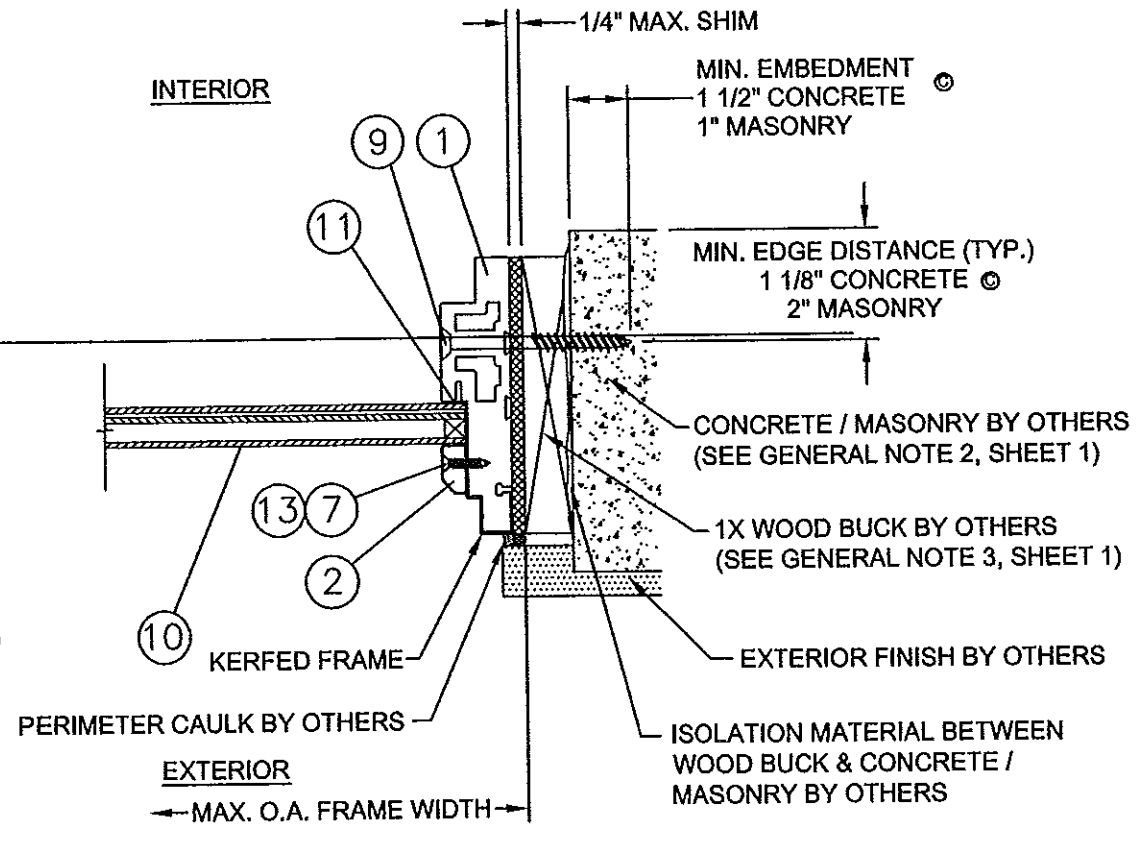
PRODUCT REVISED as complying with the Florida Building Code
Acceptance No. 14-0708-02
Expiration Date 04/15/2014
By: [Signature]
Miami Dade Product Control



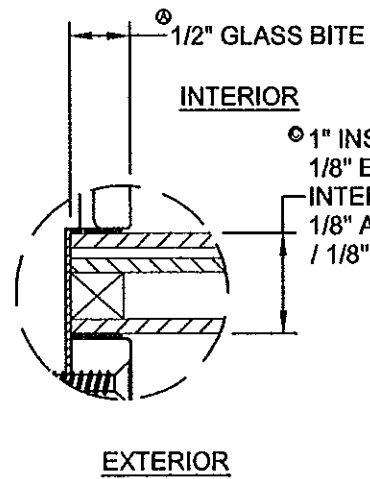
E HORIZONTAL SECTION
WOOD FRAME SUBSTRATE



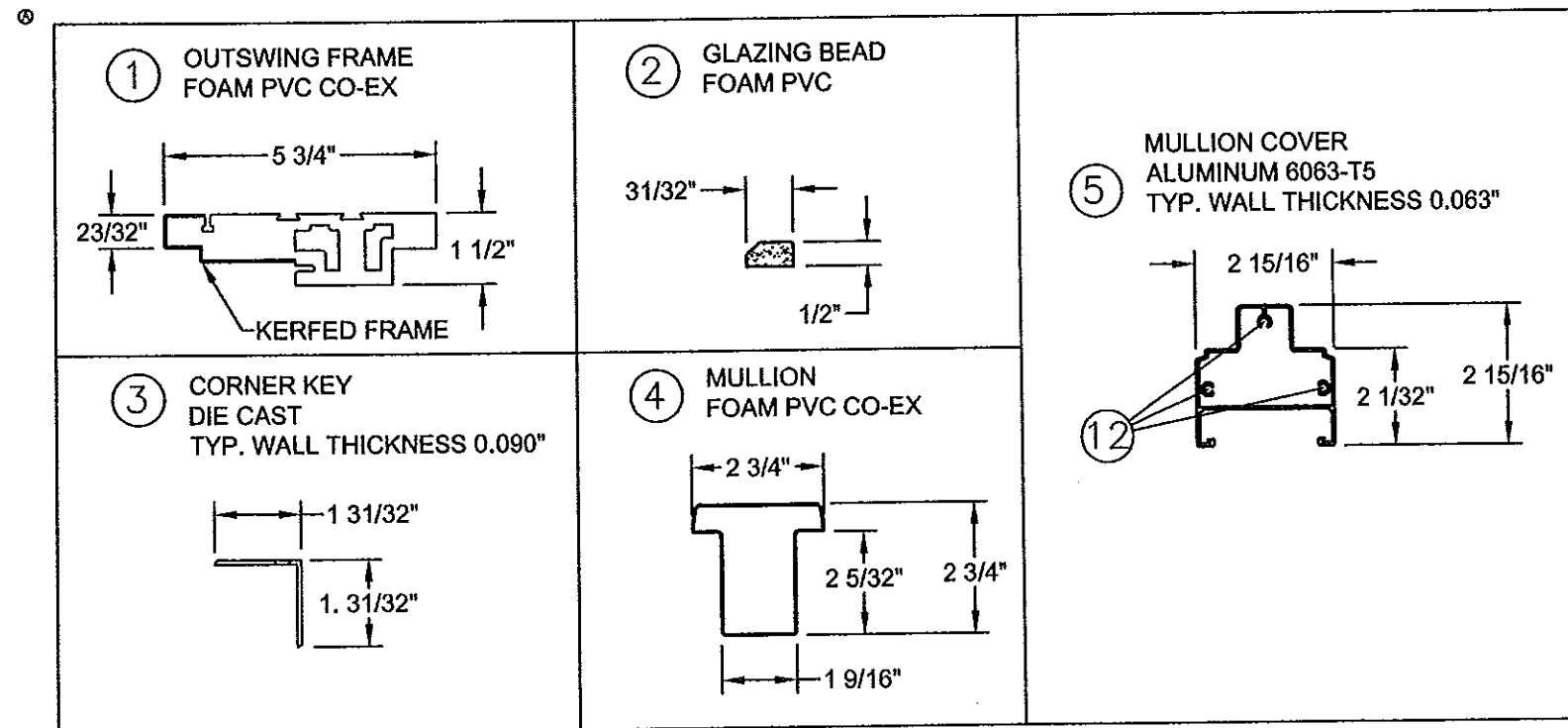
G HORIZONTAL SECTION
MULLION



F HORIZONTAL SECTION
CONCRETE / MASONRY SUBSTRATE



GLAZING DETAIL A



PROJECT NO. 414-0416

REVISE TO CURRENT CODE - RENEW	07/01/14	RJA	DATE	BY
UPDATE TO 2010 FBC	04/16/12	TJH	DATE	BB
REVISIONS PER MIAMI-DADE	06/03/09	BB	DATE	BY
REV	DESCRIPTION			

NAN YA PLASTICS CORP.
8989 NORTH LOOP EAST
HOUSTON, TX 77029

IMPACT O.S. TRANSON
HORIZONTAL SECTIONS & GLAZING DETAIL

DATE: 01/26/09
DRAWING NO: NAN0018
SCALE: N.T.S.
SHEET: 4 OF 5

PREPARED BY: BB
DRAWN BY: N.T.S.
REV: C

PTC
PTC PRODUCT DESIGN GROUP, LLC
PO BOX 320776
LONG BEACH, CA 90801-7796
Phone: 321.680.1788
Fax: 321.680.1788
Email: info@ptc-corp.com

Robert J. Amoruso, P.E.
FL P.E. No. 49752

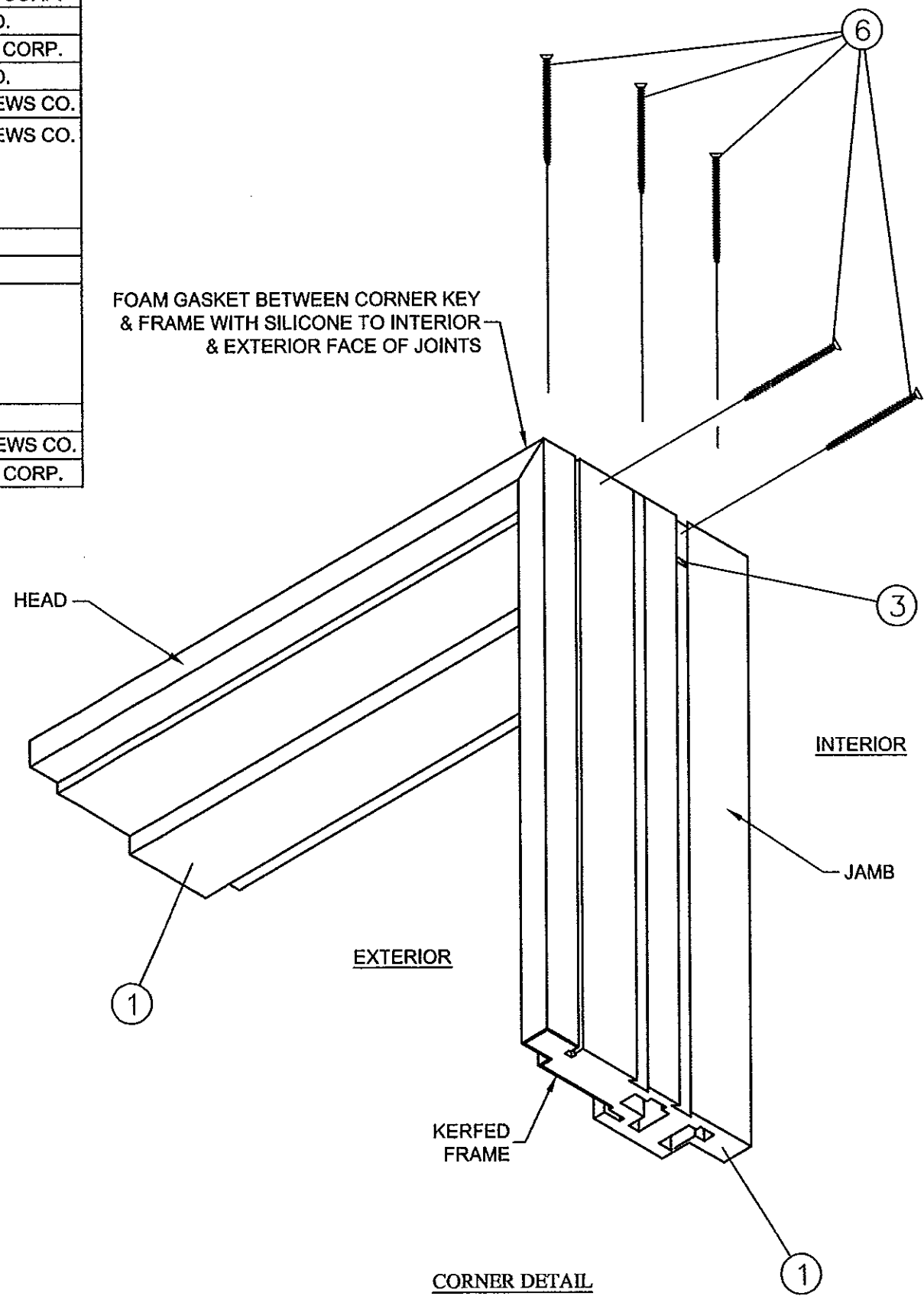
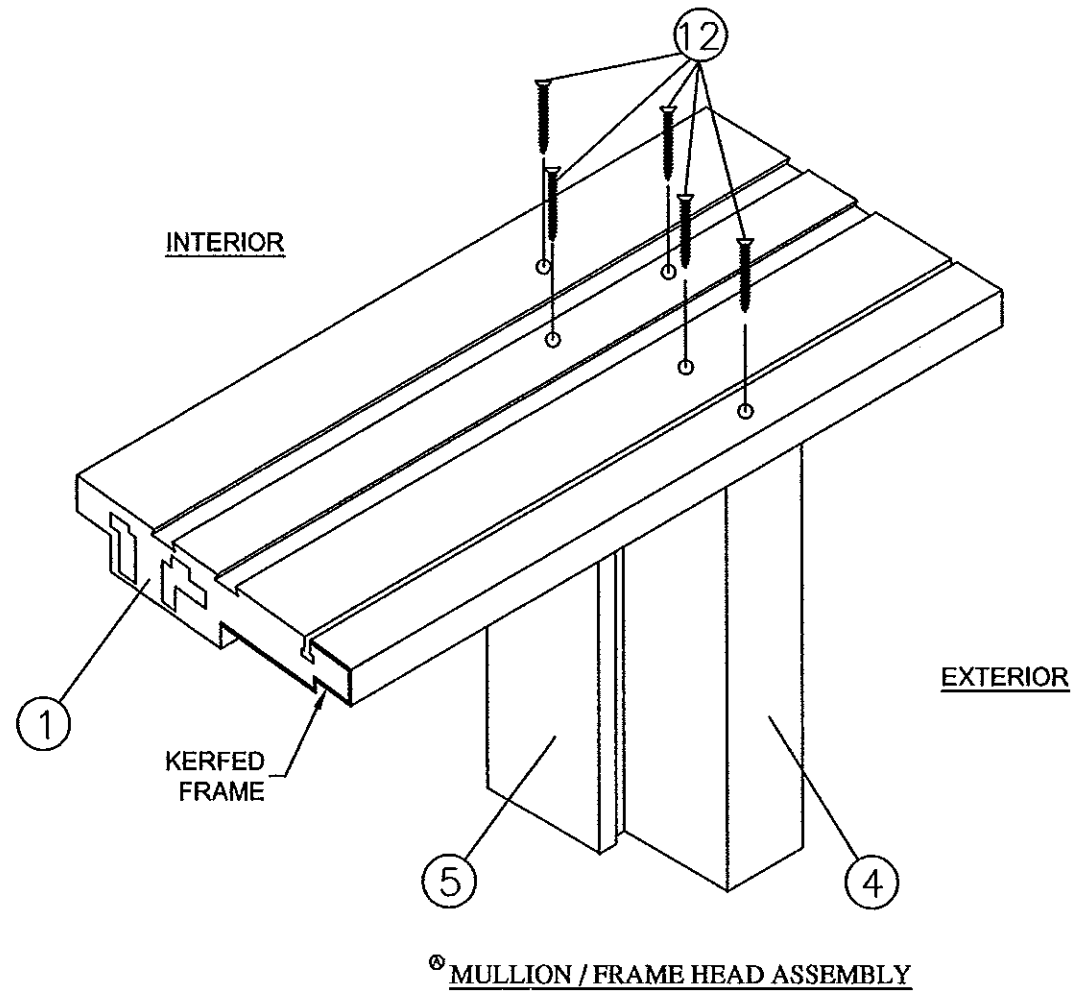
ROBERT J. AMORUSO
LICENSE
No 49752
STATE OF FLORIDA
PROFESSIONAL ENGINEER

PRODUCT REVISED as complying with the Florida Building Code
Acceptance No 14-0709-02
Expiration Date July 15, 2019

By: *[Signature]*
Miami Dade Product Control

BILL OF MATERIALS

NO.	DESCRIPTION.	MATERIAL	MANUFACTURER
1	OUTSWING FRAME	FOAM PVC CO-EX	NAN-YA PLASTICS CORP.
2	GLAZING BEAD	FOAM PVC	NAN-YA PLASTICS CORP.
3	CORNER KEY	DIE CAST	MICOTA LOCKS CO.
4	MULLION	FOAM PVC CO-EX	NAN-YA PLASTICS CORP.
5	MULLION COVER	ALUMINUM 6063-T5	MICOTA LOCKS CO.
6	#10 X 3" PFH SCREW	STAINLESS STEEL	ZHONG-QUN SCREWS CO.
7	#10 X 1" PFH SCREWS SPACED 2 3/4" & 8 3/4" FROM CORNERS @ JAMBS. 2 3/4" FROM CORNERS & 8 1/4" O.C. THEREAFTER @ HEAD/SILL FOR UNIT W/O MULLION & 2" FROM CORNERS & 8 5/8" O.C. THEREAFTER @ HEAD/SILL FOR UNIT W/ MULLIONS.	STAINLESS STEEL	ZHONG-QUN SCREWS CO.
8	#10 PFH INSTALLATION ANCHOR	STEEL	-----
9	3/16" ITW TAPCON ADVANCED THREADFORM SCREW	STEEL	ITW
10	1" INSULATED GLASS UNIT CONSISTING OF: 1/8" EXTERIOR TEMPERED GLASS/ ARGON SPACE/ INTERIOR LAMINATED GLASS COMPRISED OF: 1/8" ANNEALED GLASS/ 0.090" SAFLEX PVB INTERLAYER BY SOLUTIA/ 1/8" ANNEALED GLASS BY CARDINAL	GLASS	CARDINAL
11	BACKBEDDING DOW CORNING 995 SILICONE	SILICONE	DOW CORNING
12	#10 X 2 1/2" PFH. SQ. DRIVE HD. SCREWS	STAINLESS STEEL	ZHONG-QUN SCREWS CO.
13	PLUG	PVC	NAN YA PLASTICS CORP.



PROJECT NO. 414-0416

REVISIONS PER	DATE	BY
A	06/03/09	BB
B	04/16/12	TJH
C	07/01/14	RJA

REVISIONS PER	DATE	BY
A	06/03/09	BB
B	04/16/12	TJH
C	07/01/14	RJA

REVISIONS PER	DATE	BY
A	06/03/09	BB
B	04/16/12	TJH
C	07/01/14	RJA

Robert J. Amoruso, P.E.
FL P.E. No. 49752

PRODUCT REVISED
as complying with the Florida
Building Code
Acceptance No. 14-0700-02
Expiration Date 11/15/2019

By *James Amoruso*
Miami Dade Product Control

NAN YA PLASTICS CORP.
8989 NORTH LOOP EAST
HOUSTON, TX 77029

IMPACT O.S. TRANSON
BILL OF MATERIALS, CORNER DETAIL & MULLION FRAME HEAD ASSEMBLY

PREPARED BY: BB
DATE: 01/26/09
DRAWING NO: NAN0018
SCALE: N.T.S.
SHEET: 5 OF 5

PTC PRODUCT DESIGN GROUP, LLC
PO BOX 50374
LONGWOOD, FLORIDA 32722
PHONE: 321.680.1788
FAX: 321.680.1789
EMAIL: info@ptc-corp.com