

# Florida Building Code Product Approval

FL10182.12-R5 Impact- 12'0" x 6'11" Gliding Full Lite DP50 (with field mullion)

(X, OX, OXO, XX, OXXO)

FL #	FL10181-R5										
Application Type	Revision										
Code Version	2010										
Application Status	Approved										
	*Approved by DBPR. Approvals by DBPR shall be reviewed and ratified by the POC and/or the Commission if necessary.										
Comments											
Archived	<input type="checkbox"/>										
Product Manufacturer	Nan Ya Plastics Corporation USA										
Address/Phone/Email	8989 North Loop East Houston, TX 77029 (713) 674-7822 Ext 105 ajen96@yahoo.com.tw										
Authorized Signature	RUSKIN WU ajen96@yahoo.com.tw										
Technical Representative	Ruskin Wu										
Address/Phone/Email	8989 North Loop East Houston, TX 77029-1217 (713) 674-7822 Ext 105 ajen96@yahoo.com.tw										
Quality Assurance Representative											
Category	Exterior Doors										
Subcategory	Sliding Exterior Door Assemblies										
Compliance Method	Certification Mark or Listing										
Certification Agency	National Accreditation & Management Institute										
Validated By	National Accreditation & Management Institute,										
Referenced Standard and Year (of Standard)	<table border="0"> <thead> <tr> <th><u>Standard</u></th> <th><u>Year</u></th> </tr> </thead> <tbody> <tr> <td>AAMA/WDMA/CSA 101/I.S.2/A440</td> <td>2008</td> </tr> <tr> <td>ANSI/AAMA/NWWDA 101/I.S.2</td> <td>1997</td> </tr> <tr> <td>ASTM E1886</td> <td>2005</td> </tr> <tr> <td>ASTM E1996</td> <td>2006</td> </tr> </tbody> </table>	<u>Standard</u>	<u>Year</u>	AAMA/WDMA/CSA 101/I.S.2/A440	2008	ANSI/AAMA/NWWDA 101/I.S.2	1997	ASTM E1886	2005	ASTM E1996	2006
<u>Standard</u>	<u>Year</u>										
AAMA/WDMA/CSA 101/I.S.2/A440	2008										
ANSI/AAMA/NWWDA 101/I.S.2	1997										
ASTM E1886	2005										
ASTM E1996	2006										
Equivalence of Product Standards											

# Florida Building Code Product Approval

FL10182.12-R5 Impact- 12'0" x 6'11" Gliding Full Lite DP50 (with field mullion)

(X, OX, OXO, XX, OXXO)

Certified By	
Product Approval Method	Method 1 Option A
Date Submitted	04/14/2014
Date Validated	08/06/2014
Date Pending FBC Approval	
Date Approved	08/10/2014

FL #	Model, Number or Name	Description
10181.12	SERIES SRS GLIDING PATIO DOOR WITH FIELD MULLION	SERIES SRS GLIDING PATIO DOOR WITH FIELD MULLION - 120611 - IMPACT
<b>Limits of Use</b> Approved for use in HVHZ: No Approved for use outside HVHZ: Yes Impact Resistant: Yes Design Pressure: +50/-50 Other:		<b>Certification Agency Certificate</b> <a href="#">FL10181 R5 C CAC NI011355.02.pdf</a> <b>Quality Assurance Contract Expiration Date</b> 06/30/2016 <b>Installation Instructions</b> <a href="#">FL10181 R5 II 08-01900.pdf</a> Verified By: Luis Roberto Lomas 62514 Created by Independent Third Party: Yes <b>Evaluation Reports</b> <a href="#">FL10181 R5 AE 512592A.pdf</a> Created by Independent Third Party: Yes

# Florida Building Code Product Approval

FL10182.12-R5 Impact- 12'0" x 6'11" Gliding Full Lite DP50 (with field mullion)  
(X, OX, OXO, XX, OXXO)

## NOTICE OF PRODUCT CERTIFICATION



CERTIFICATION NO: NI011355.02  
DATE: 12/14/2012  
CERTIFICATION PROGRAM: Structural  
COMPANY: Nan Ya  
CODE: 661-1

To verify that the "Notice of Product Certification" is valid, please visit [www.NAMICertification.com](http://www.NAMICertification.com) to assure that the product is active and currently listed. This certification represents product conformity to the applicable specification and that certification criteria has been satisfied. A NAMI approved certification label must be applied to the product to claim certification status. Please review and advise NAMI if any corrections are required to this document.

COMPANY NAME AND ADDRESS	PRODUCT DESCRIPTION
Nan Ya Plastics Corporation USA 8989 North Loop East, Suite 800 Houston, TX 77029	Series "SRS" Gliding Patio Door w/Field Mullion Configuration: OX/O Glazing: IG-1/8" Tempered Glass/Laminate-1/8" Annealed Glass/0.090" PVB Interlayer/1/8" Annealed Glass Frame: W-3693mm(145.38") H-2092mm(82.38") Panel: W-1213mm(47.75") H-2013mm(79.25") DLO: W-940mm(37.00") H-1676mm(66.00")

SPECIFICATION	PRODUCT RATING
AAMA/WDMA/CSA 101/L.S.2/A440-08 ASTM E1886-02/04/05/E1996-04/06/09	Class R-PG50 3693 X 2092 (146 x 83)-SD Design Pressure = 2400 Pa (50 psf) Wind Zone 4-Missile Level D Qualifies Configurations: O/X/OX/XO/OX/O/O/OXO

Product Tested By: National Certified Testing Laboratories  
Report No: NCTL-210-3821-2  
Expiration Date: June 30, 2016

Administrator's Signature: \_\_\_\_\_

NATIONAL ACCREDITATION AND  
MANAGEMENT INSTITUTE, INC.  
4794 George Washington Memorial Highway  
Hayes, VA 23072  
Tel: (804) 684-5124/ Fax: (804) 684-5122

# Florida Building Code Product Approval

## FL10182.12-R5 Impact- 12'0" x 6'11" Gliding Full Lite DP50 (with field mullion) (X, OX, OXO, XX, OXXO)

*L. Roberto Lomas P.E.*

233 W. Main St.  
Danville, VA 24541  
434-688-0609  
rlomas@rlomaspe.com

### Engineering Evaluation Report

Report No.: 512592A

**Manufacturer:** Nan Ya Plastics Corp. USA  
8989 North Loop East  
Houston, TX 77029

**Product Line:** Series SRS Gliding Patio Door with Field Mullion – 120611 Impact

**Compliance:**

The above mentioned product has been evaluated for compliance with the requirements of the Florida Department of Business and Professional Regulation for Statewide Acceptance per Rule 61G20-3.005 method 1(a). The product listed herein complies with requirements of the Florida Building Code.

**Supporting Technical Documentation:**

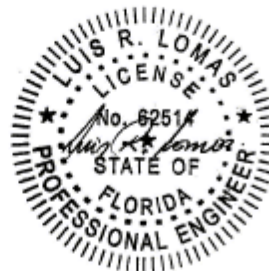
1. Approval document: drawing number 08-01900, prepared, signed and sealed by Luis Roberto Lomas P.E.
2. Report No.: NCTL-210-3821-2 signed by Gerard J. Ferrara P.E.  
National Certified Testing Laboratories, York, PA  
AAMA/WDMA/CSA 101/I.S.2/A440-08  
Design pressure:  $\pm 50.0$ psf  
Water penetration resistance 7.5psf  
ASTM E1886-02/04/05 and ASTM E1996-04/06/09  
ASTM E1886/ E1996 Large Missile Impact, Level D, Wind Zone 4  
ASTM E1886/ E1996 Cyclic Load Test,  $\pm 50.0$ psf design pressure
3. Anchor calculations, report number 512592-1, prepared, signed and sealed by Luis Roberto Lomas P.E.

**Limitations and Conditions of use:**

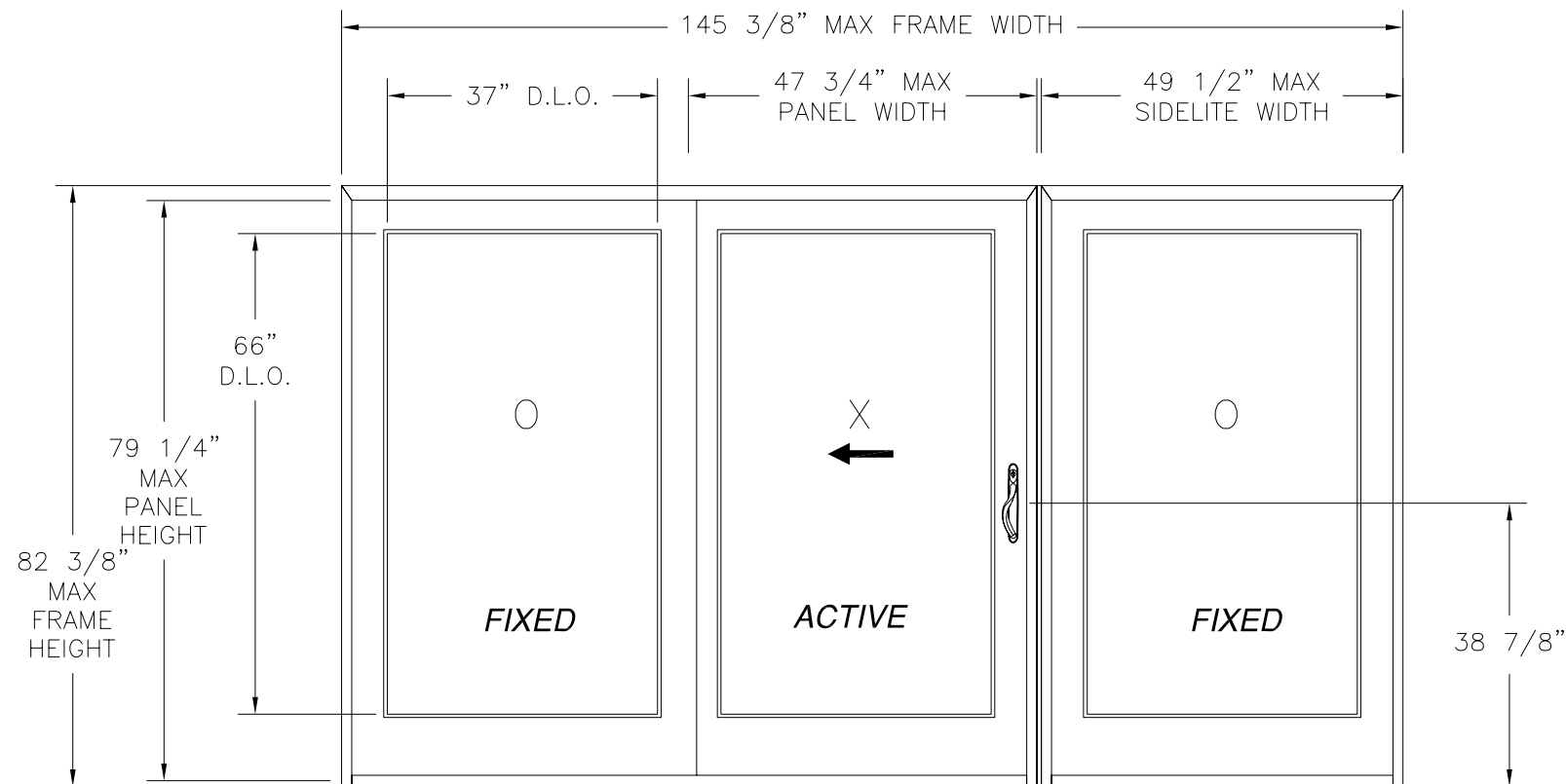
- Maximum design pressure:  $\pm 50.0$ psf
- Maximum unit size: 145 3/8" x 82 3/8"
- Units must be glazed per ASTM E 1300-04, see installation instructions for glass options.
- This product is not rated to be used in the HVHZ.
- This product is impact resistant and does not require impact protection in wind borne debris regions.

**Installation:** Units must be installed in accordance with approval document, 08-01900.

**Certification of Independence:** Please note that I don't have nor will acquire a financial interest in any company manufacturing or distributing the product(s) for which this report is being issued. Also, I don't have nor will acquire a financial interest in any other entity involved in the approval process of the listed product(s).



REVISIONS			
REV	DESCRIPTION	DATE	APPROVED



NOTES:

1. THE PRODUCT SHOWN HEREIN IS DESIGNED AND MANUFACTURED TO COMPLY WITH REQUIREMENTS OF THE FLORIDA BUILDING CODE.
2. WOOD FRAMING AND MASONRY OPENING TO BE DESIGNED AND ANCHORED TO PROPERLY TRANSFER ALL LOADS TO STRUCTURE. FRAMING AND MASONRY OPENING IS THE RESPONSIBILITY OF THE ARCHITECT OR ENGINEER OF RECORD.
3. 1X BUCK OVER MASONRY/CONCRETE IS OPTIONAL. WHERE 1X BUCK IS NOT USED DISSIMILAR MATERIALS MUST BE SEPARATED WITH APPROVED COATING OR MEMBRANE. SELECTION OF COATING OR MEMBRANE IS THE RESPONSIBILITY OF THE ARCHITECT OR ENGINEER OF RECORD.
4. UNITS MUST BE GLAZED PER ASTM E1300-04, SEE SHEET 3 FOR GLASS OPTIONS.
5. APPROVED IMPACT PROTECTIVE SYSTEM IS NOT REQUIRED FOR THIS PRODUCT IN WIND BORNE DEBRIS REGIONS.
6. FRAME JAMB AND HEAD MATERIAL: CO-EXTRUDED PVC FOAM 1 1/2" THICK.
7. FRAME SILL MATERIAL: CO-EXTRUDED PVC FOAM 2" THICK WITH ALUMINUM CLADDING .063" THICK.
8. DOOR PANEL AND SIDELITE MATERIAL: .075" THICK FIBERGLASS SKIN WITH PVC FOAM TOP AND BOTTOM RAILS, AND PVC FOAM VERTICAL STILES WITH PINE REINFORCEMENTS AND POLYURETHANE FOAM CORE.
9. APPROVED CONFIGURATIONS: OX, XO, AND OXO. SEE SHEET 2.

**SERIES SRS GLIDING PATIO DOOR W/FIELD MULLION - 120611 IMPACT**  
EXTERIOR VIEW

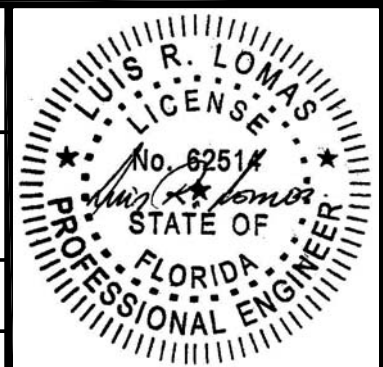
DESIGN PRESSURE RATING	IMPACT RATING
±50.0PSF	LARGE AND SMALL MISSILE IMPACT

MISSILE LEVEL D, WIND ZONE 4

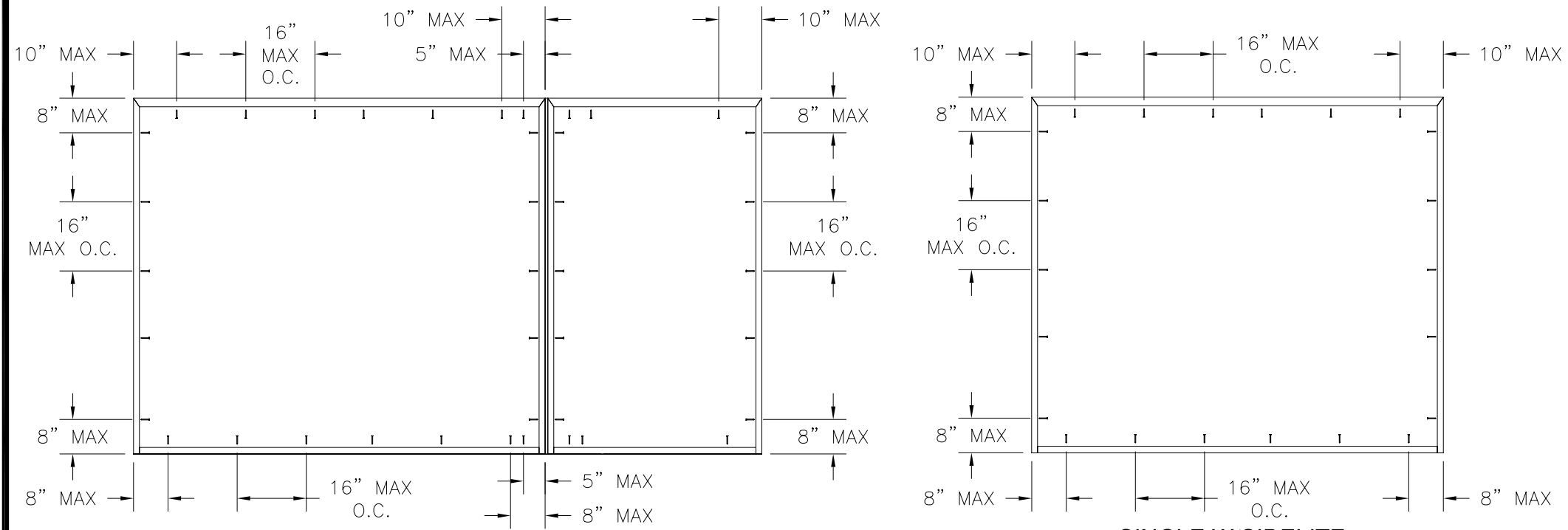
SIGNED: 01/17/2013

TABLE OF CONTENTS	
SHEET NO.	DESCRIPTION
1	OX/O ELEVATION AND NOTES
2	ADDITIONAL CONFIGURATIONS ANCHOR LAYOUTS & HARDWARE
3 - 5	INSTALLATION DETAILS

<b>NAN YA PLASTICS CORP. USA</b> 8989 NORTH LOOP EAST HOUSTON, TX 77029		
SERIES SRS GLIDING PATIO DOOR W/FIELD MULLION 120611 IMPACT OX/O ELEVATION AND NOTES		
DRAWN: J.L.	DWG NO. 08-01900	REV -
SCALE NTS	DATE 01/17/13	SHEET 1 OF 5

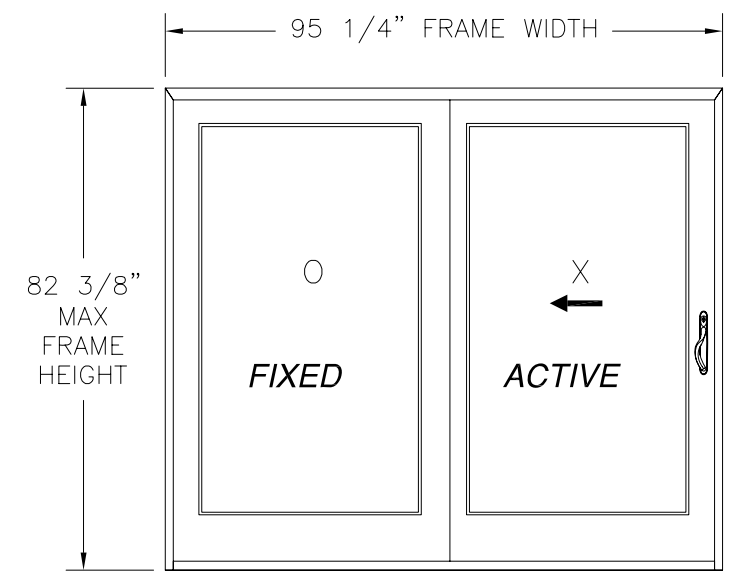


REVISIONS			
REV	DESCRIPTION	DATE	APPROVED

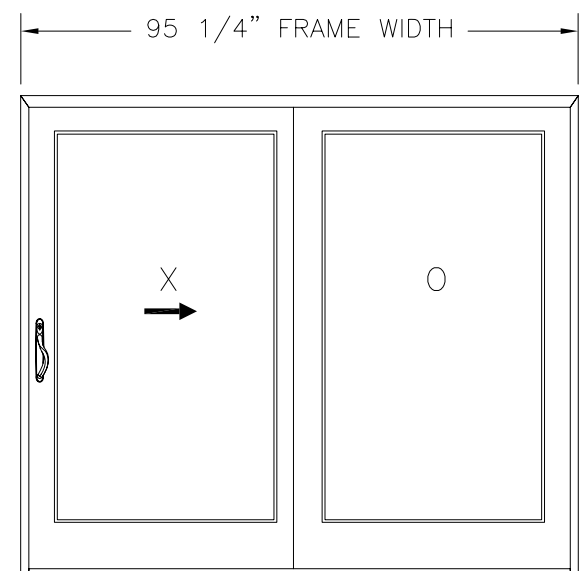


**SINGLE W/SIDELITES (MULL)**  
EXTERIOR VIEW

**SINGLE W/SIDELITE**  
EXTERIOR VIEW



**SINGLE W/SIDELITE**  
EXTERIOR VIEW



**SINGLE W/SIDELITE**  
EXTERIOR VIEW

**ANCHORING NOTES:**

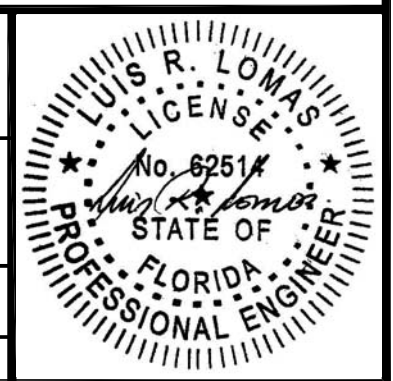
1. SHIM AS REQUIRED AT EACH INSTALLATION ANCHOR WITH LOAD BEARING SHIM. SHIM WHERE SPACE OF 1/16" OR GREATER OCCURS. MAXIMUM ALLOWABLE SHIM STACK TO BE 1/4".
2. FOR ANCHORING INTO WOOD FRAMING OR 2X BUCK USE #10 WOOD SCREWS WITH SUFFICIENT LENGTH TO ACHIEVE A 1 3/8" MINIMUM EMBEDMENT INTO SUBSTRATE. LOCATE ANCHORS AS SHOWN IN ELEVATIONS AND INSTALLATION DETAILS.
3. FOR ANCHORING INTO MASONRY/CONCRETE USE 3/16" TAPCONS WITH SUFFICIENT LENGTH TO ACHIEVE A 1 1/4" MINIMUM EMBEDMENT INTO SUBSTRATE WITH 2 5/8" MINIMUM EDGE DISTANCE. LOCATE ANCHORS AS SHOWN IN ELEVATIONS AND INSTALLATION DETAILS.
4. ALL FASTENERS TO BE CORROSION RESISTANT.
5. INSTALLATION ANCHORS SHALL BE INSTALLED IN ACCORDANCE WITH ANCHOR MANUFACTURER'S INSTALLATION INSTRUCTIONS AND ANCHORS SHALL NOT BE USED IN SUBSTRATES WITH STRENGTHS LESS THAN THE MINIMUM STRENGTH SPECIFIED BELOW:  
 A. WOOD – MINIMUM SPECIFIC GRAVITY OF G=0.42  
 B. CONCRETE – MINIMUM COMPRESSIVE STRENGTH OF 3,192 PSI.  
 C. MASONRY – STRENGTH CONFORMANCE TO ASTM C-90, GRADE N, TYPE 1 (OR GREATER).

HARDWARE SCHEDULE	
A.	4 POINT LOCKING SYSTEM
B.	(1) DIE CAST HANDLE SET
C.	(2) STAINLESS STEEL TANDEM ROLLERS
D.	ALUMINUM & PVC FOAM ASTRAGAL BY NAN YA PLASTICS
E.	ALUMINUM & PVC FOAM MULLION BY NAN YA PLASTICS

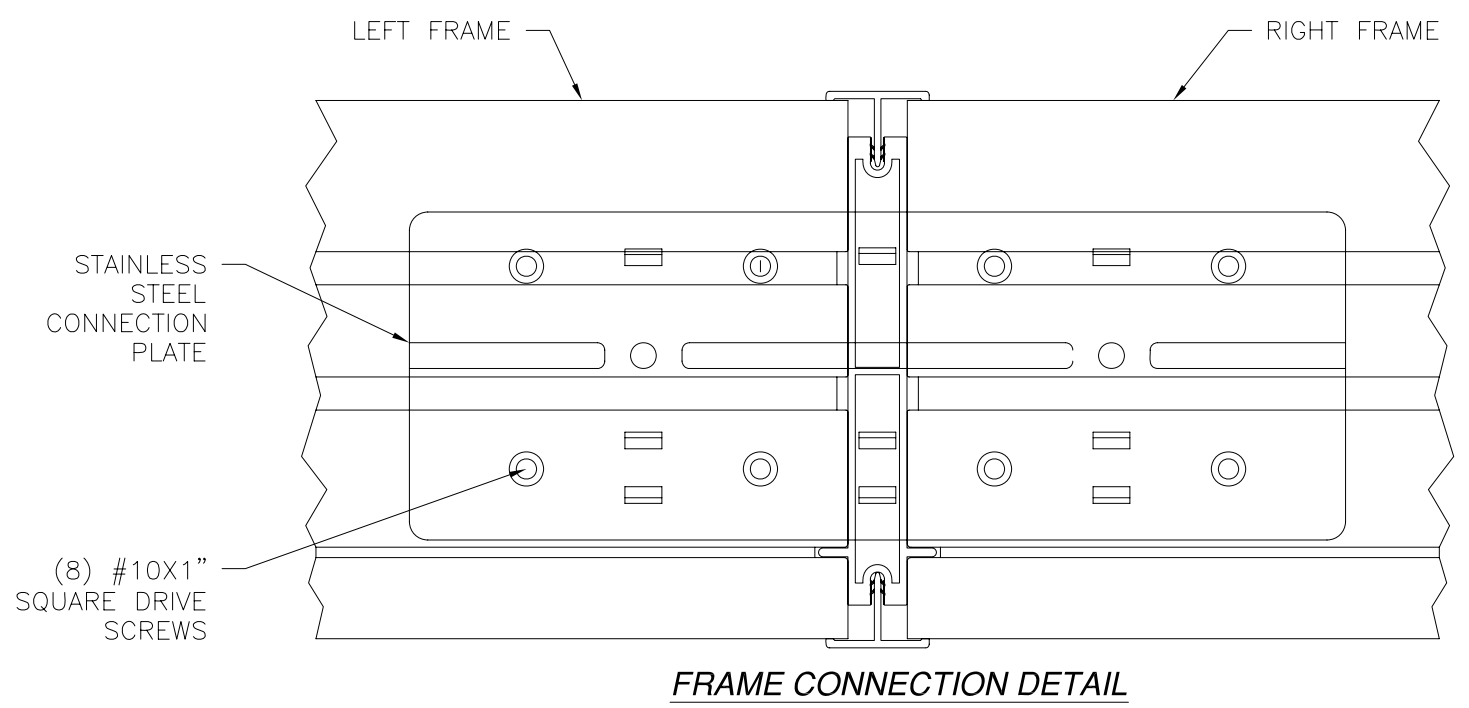
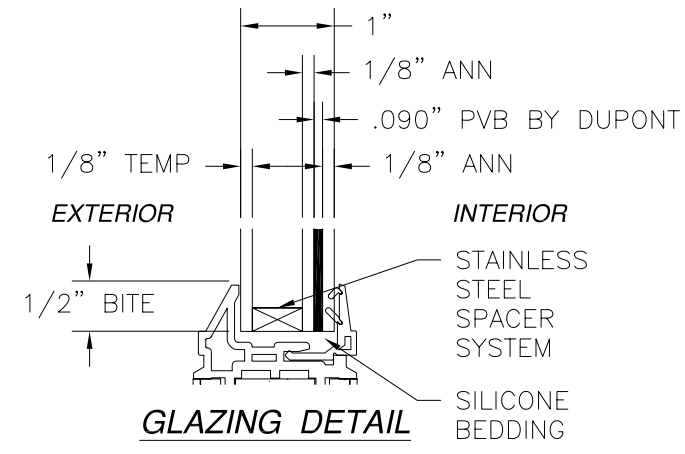
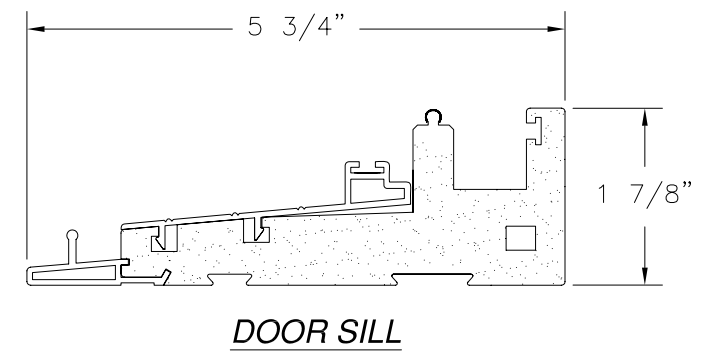
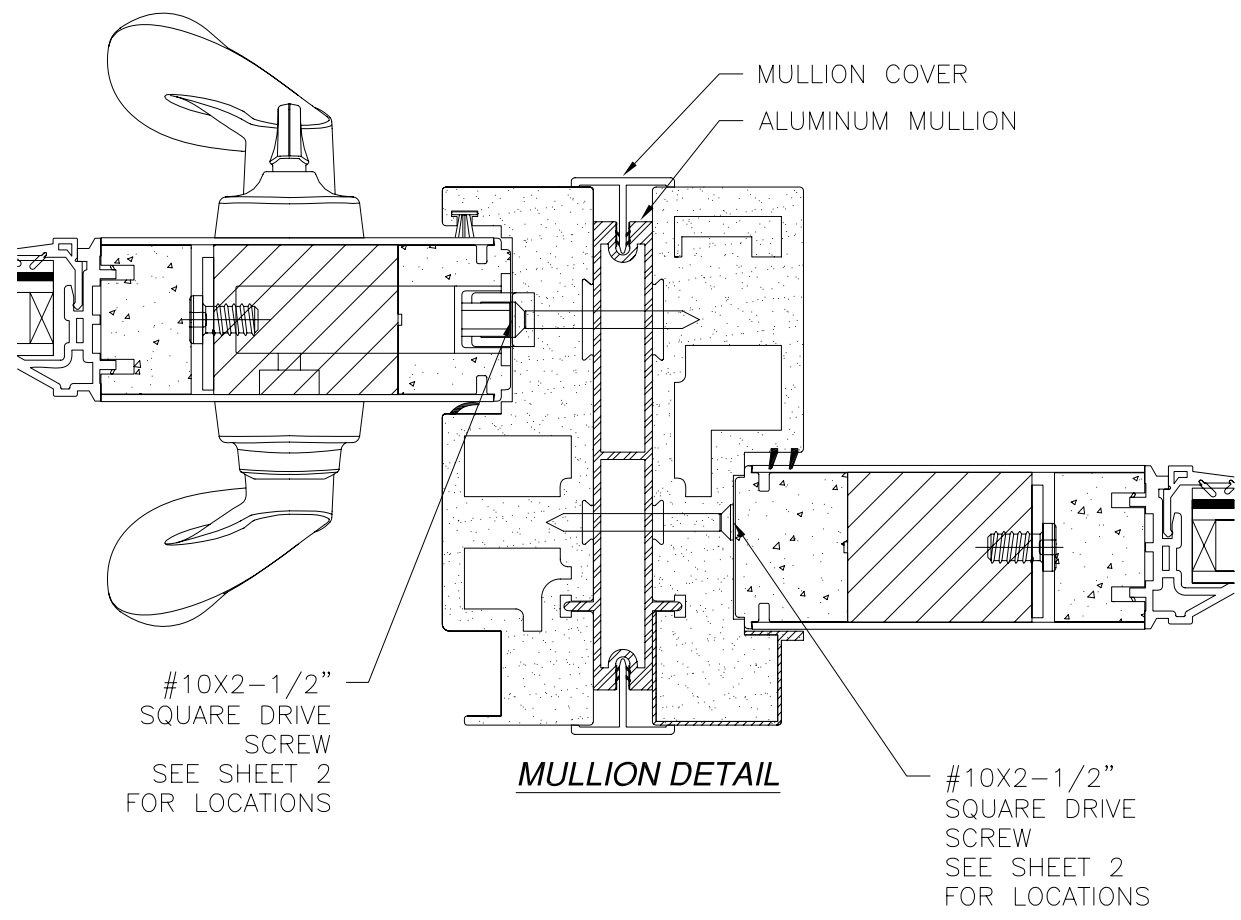
**NAN YA PLASTICS CORP. USA**  
 8989 NORTH LOOP EAST  
 HOUSTON, TX 77029

SERIES SRS GLIDING PATIO DOOR W/FIELD MULLION  
 120611 IMPACT  
 ADDITIONAL CONFIGURATIONS AND ANCHOR LAYOUTS

DRAWN: J.L.	DWG NO. 08-01900	REV -
SCALE NTS	DATE 01/17/13	SHEET 2 OF 5



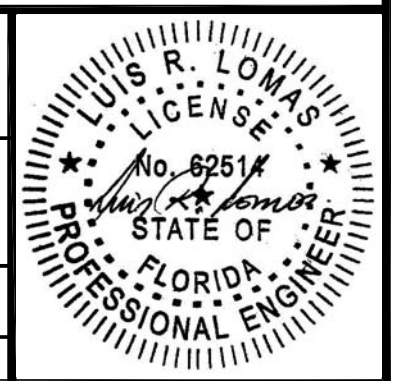
REVISIONS			
REV	DESCRIPTION	DATE	APPROVED



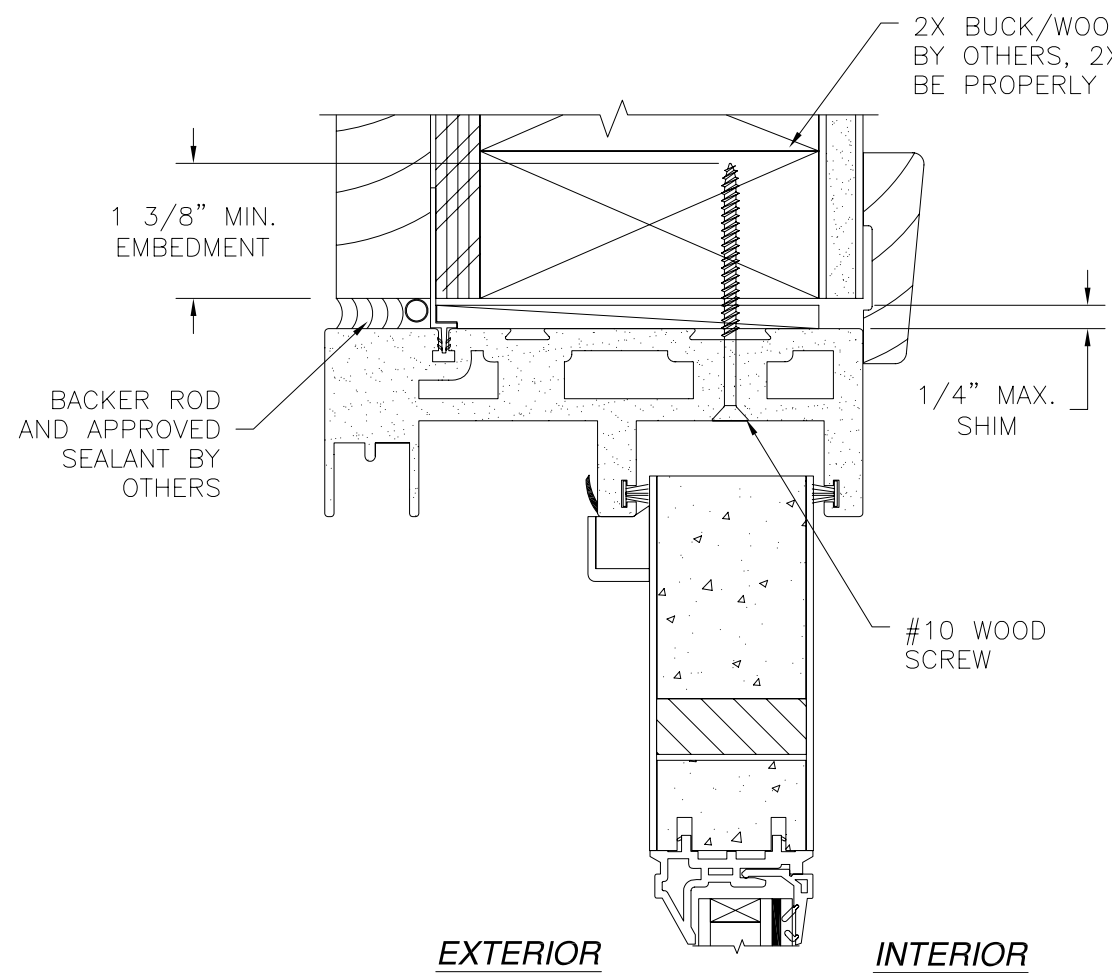
NAN YA PLASTICS CORP. USA  
8989 NORTH LOOP EAST  
HOUSTON, TX 77029

SERIES SRS GLIDING PATIO DOOR W/FIELD MULLION  
120611 IMPACT  
INSTALLATION DETAILS

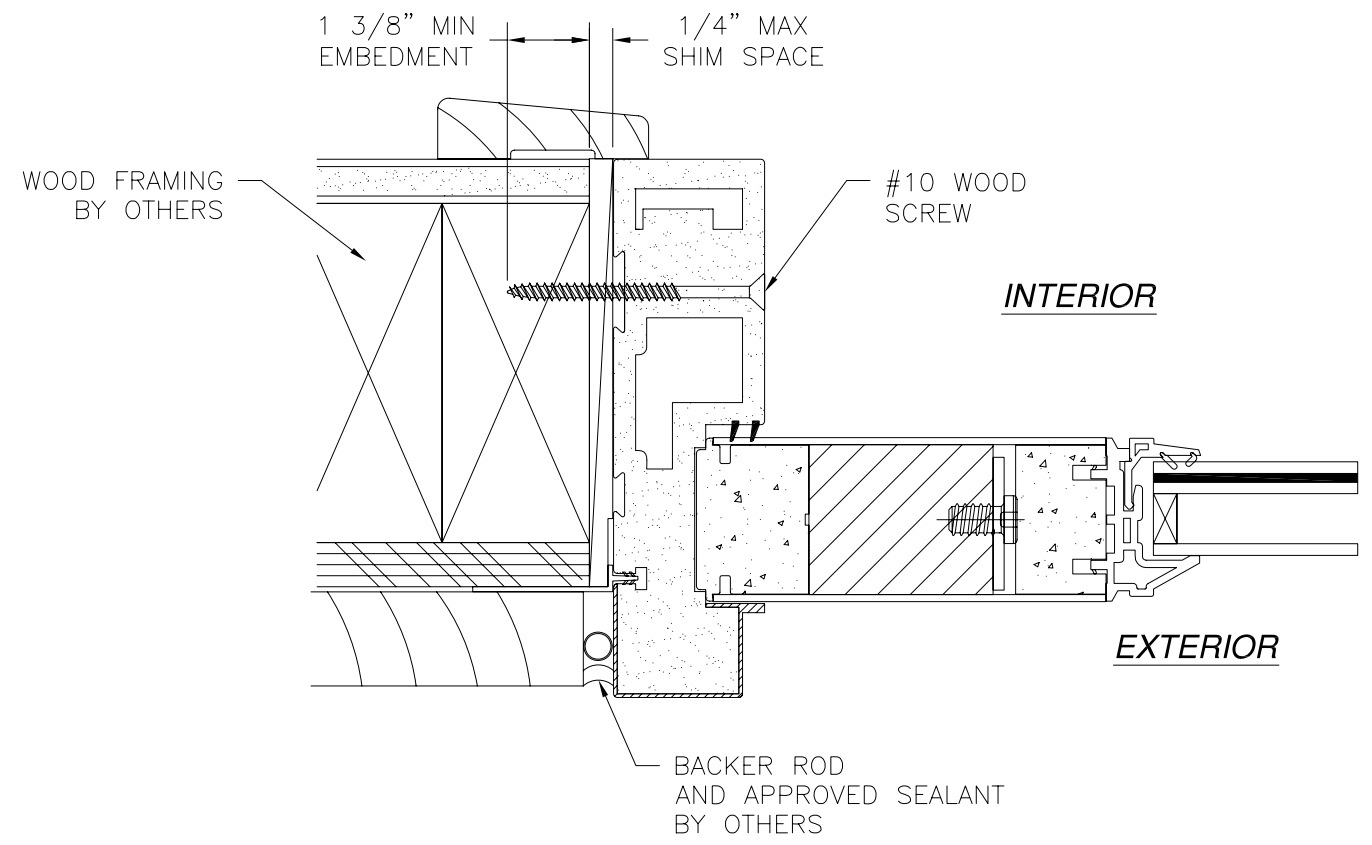
DRAWN: J.L.	DWG NO. 08-01900	REV -
SCALE NTS	DATE 01/17/13	SHEET 3 OF 5



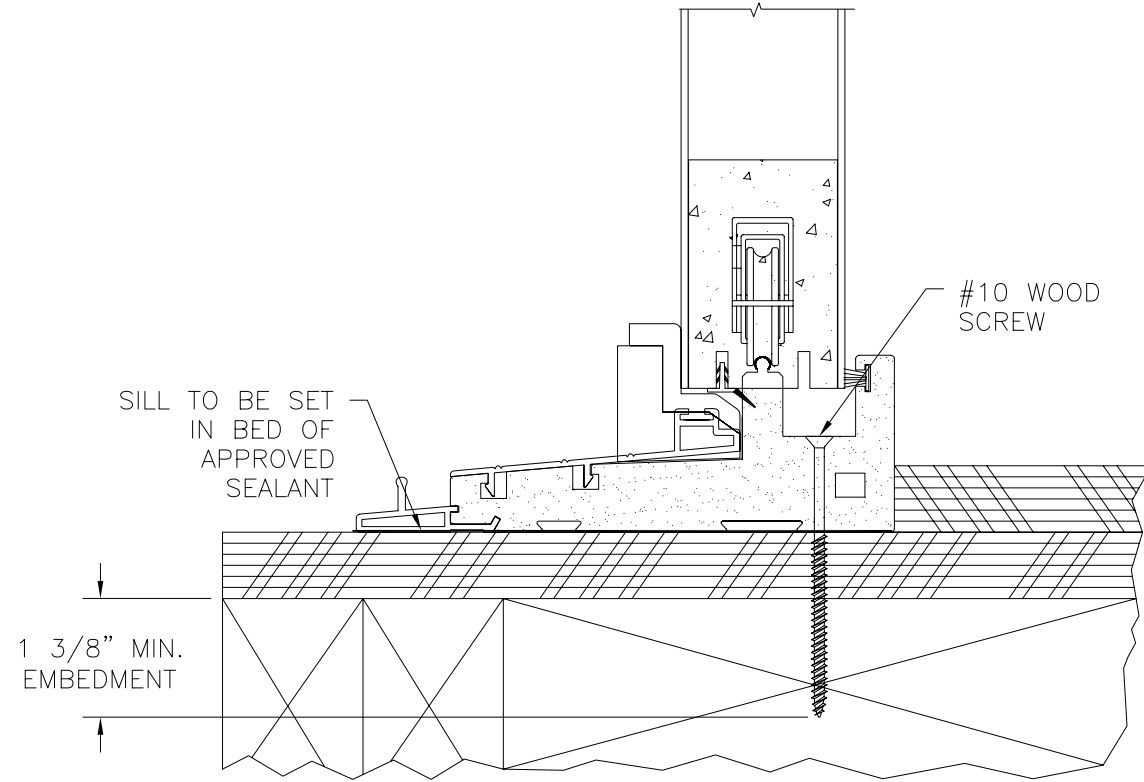
REVISIONS			
REV	DESCRIPTION	DATE	APPROVED



**EXTERIOR**                      **INTERIOR**

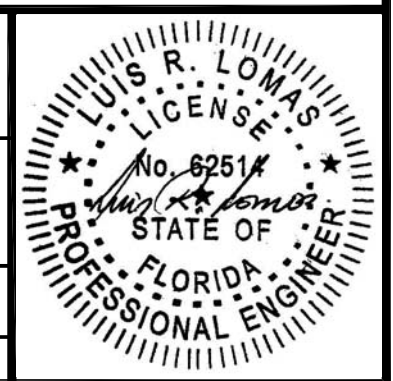


**HORIZONTAL CROSS SECTION**  
2X BUCK/WOOD FRAMING INSTALLATION



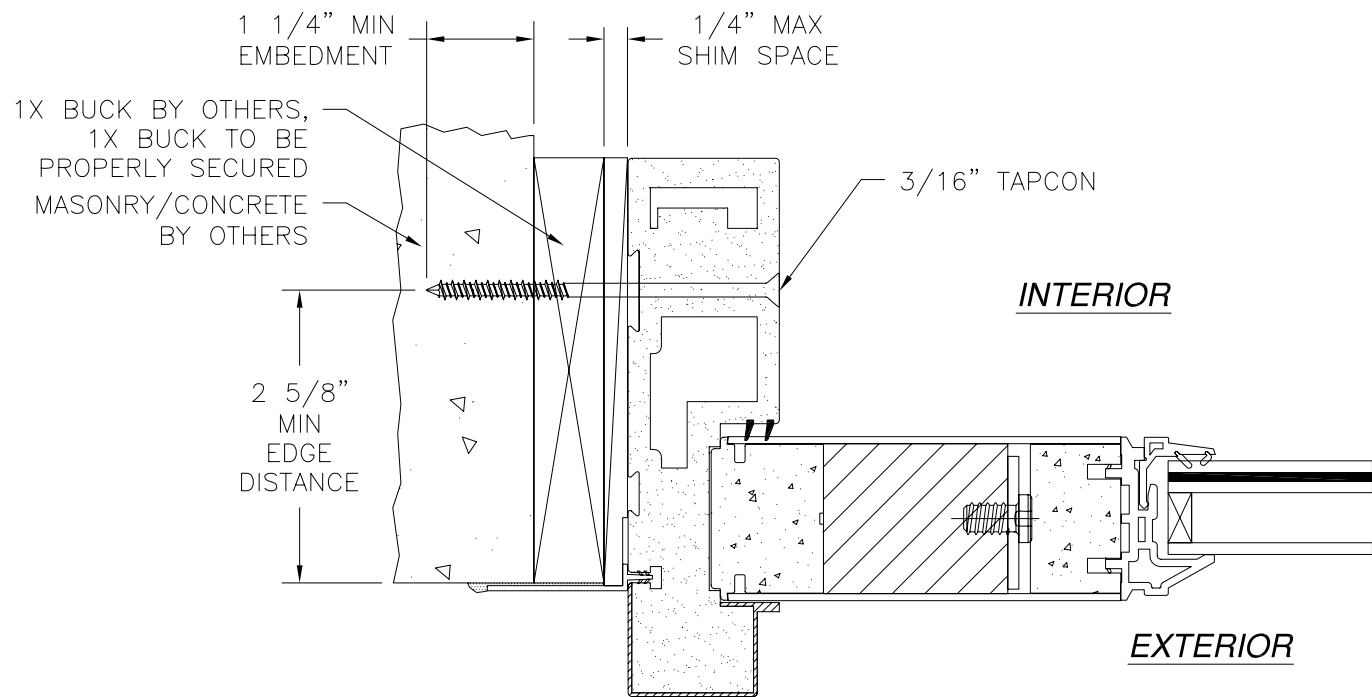
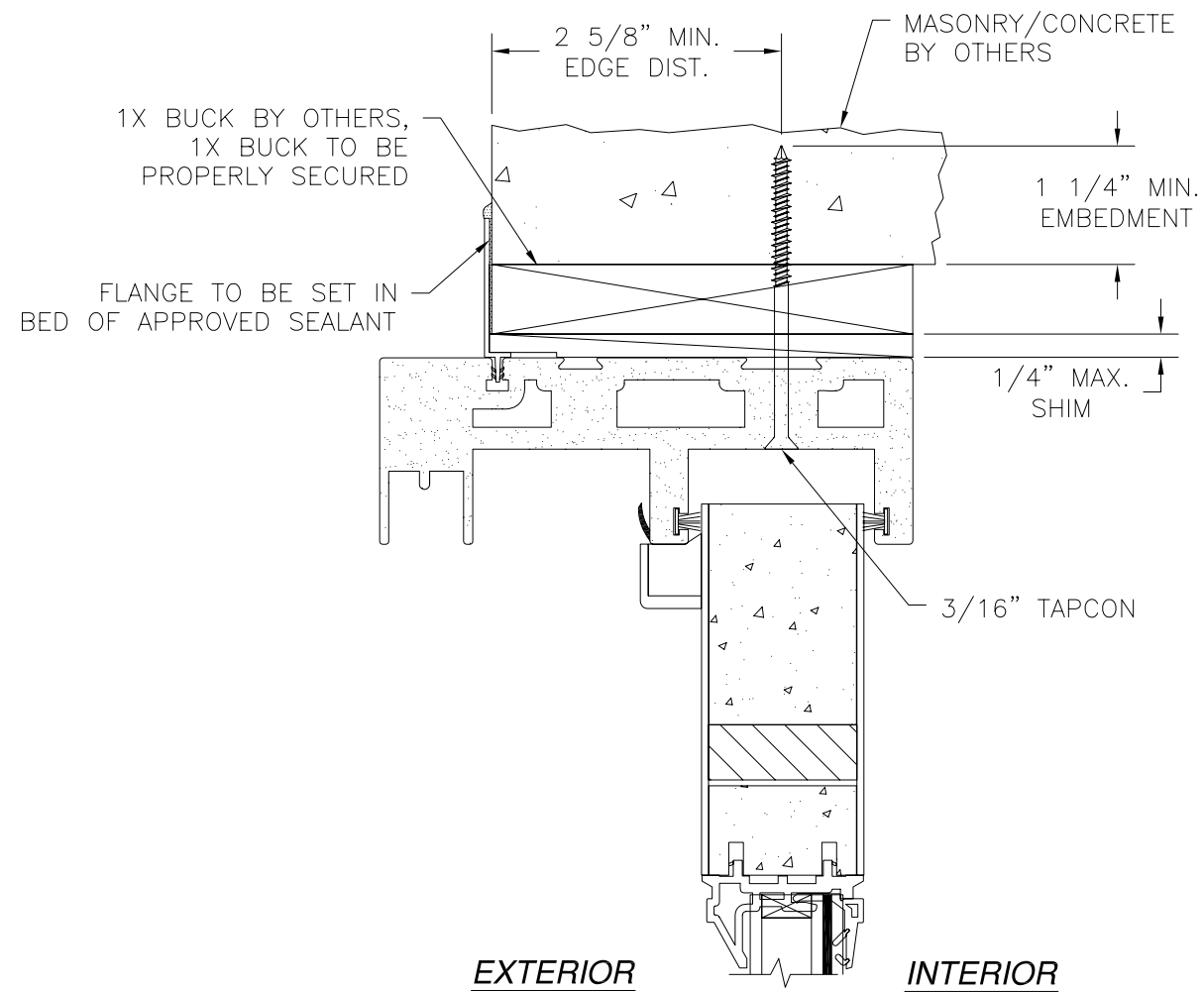
**VERTICAL CROSS SECTION**  
DOOR SHOWN, SIDELITE SIMILAR  
2X BUCK/WOOD FRAMING INSTALLATION

<p><b>NAN YA PLASTICS CORP. USA</b> 8989 NORTH LOOP EAST HOUSTON, TX 77029</p>		
<p>SERIES SRS GLIDING PATIO DOOR W/FIELD MULLION 120611 IMPACT INSTALLATION DETAILS</p>		
<p>DRAWN: J.L.</p>	<p>DWG NO. 08-01900</p>	<p>REV -</p>
<p>SCALE NTS</p>	<p>DATE 01/17/13</p>	<p>SHEET 4 OF 5</p>

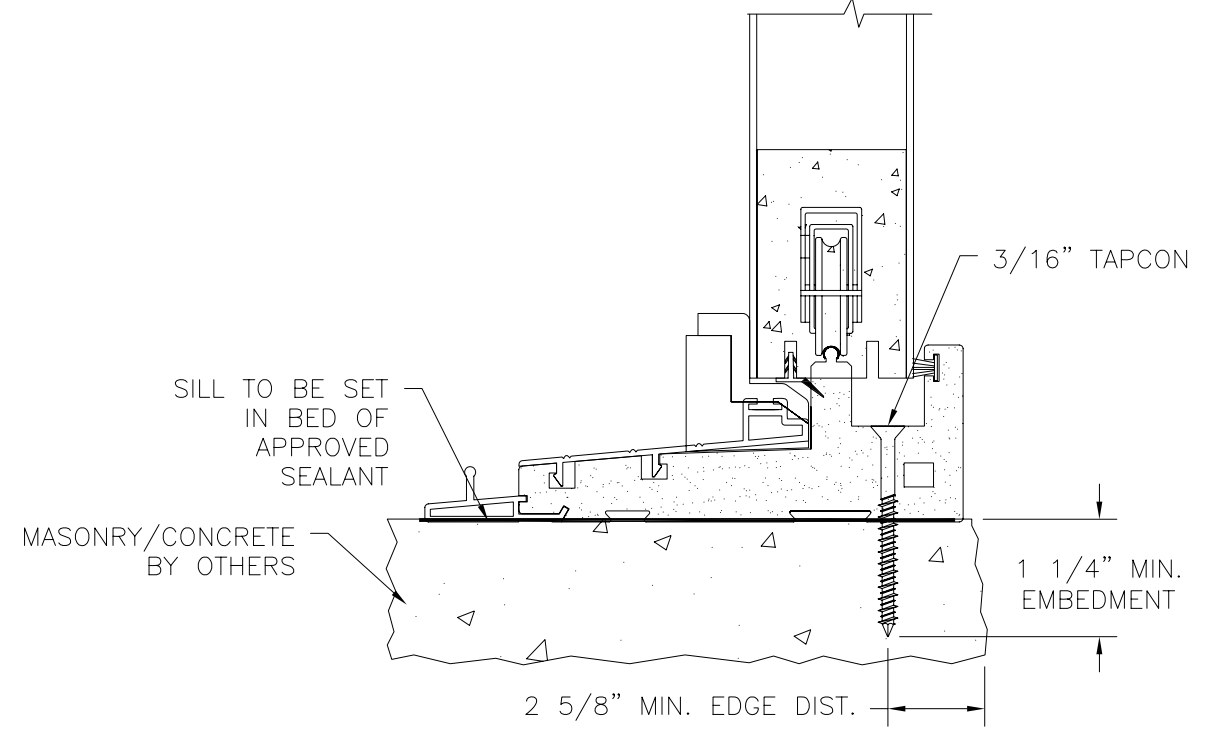




REVISIONS			
REV	DESCRIPTION	DATE	APPROVED



**HORIZONTAL CROSS SECTION**  
MASONRY/CONCRETE INSTALLATION



**VERTICAL CROSS SECTION**  
MASONRY/CONCRETE INSTALLATION  
DOOR SHOWN SIDELITE SIMILAR

**NAN YA PLASTICS CORP. USA**  
8989 NORTH LOOP EAST  
HOUSTON, TX 77029

SERIES SRS GLIDING PATIO DOOR W/FIELD MULLION  
120611 IMPACT  
INSTALLATION DETAILS

DRAWN: J.L.	DWG NO. 08-01900	REV -
SCALE NTS	DATE 01/17/13	SHEET 5 OF 5

