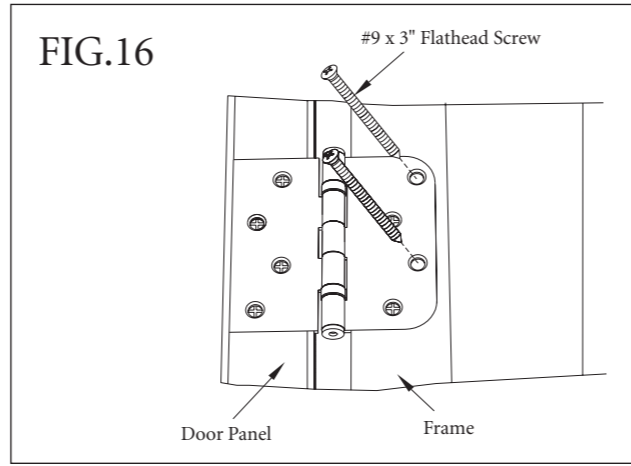


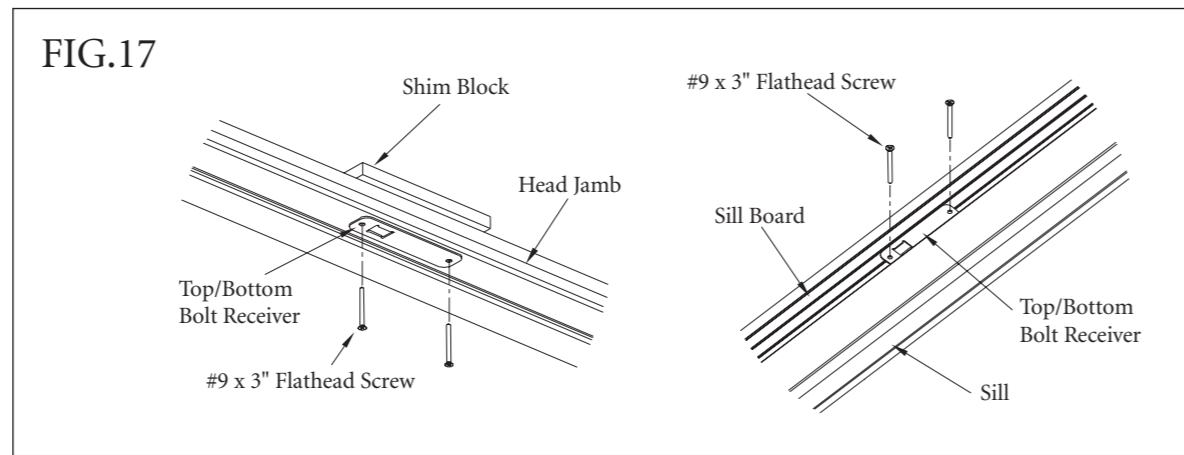
DISTINCTION DOORS

Fiberglass Hinged Patio Doors -Outswing

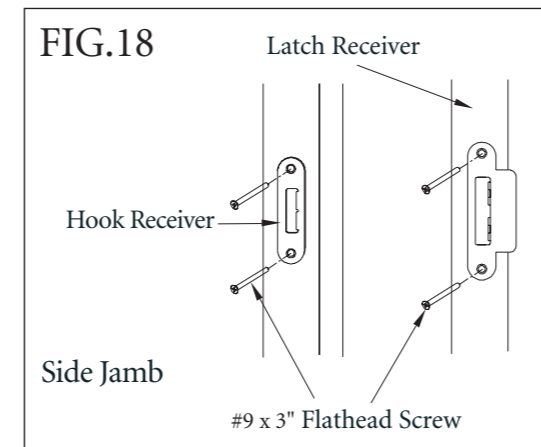
- Remove TWO #9 x 7/8" screws installed by factory and replace with two #9 x 3" screws enclosed through outer holes of each hinge in side jamb. For brass hinges, use brass colored #9 x 3" screws. For white hinges, use white #9 x 3" screws. The other nickel and bronze color as the same way. (See Fig. 16)



- Remove colored #9 x 7/8" screws in Top/Bottom Bolt Receiver Swing-in and replace with the same colored #9 x 3" screws for Swing-in Double French Door only. (See Fig.17)

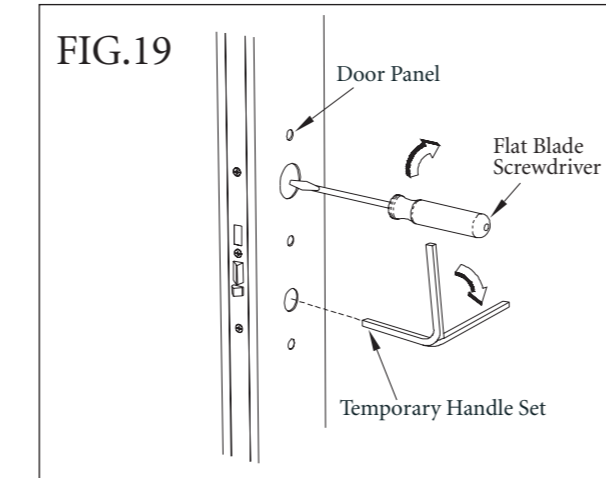


- Replace with and fasten the Hook Bolt Receiver and Latch Receiver using #9 x 3" screws. (See Fig.18)



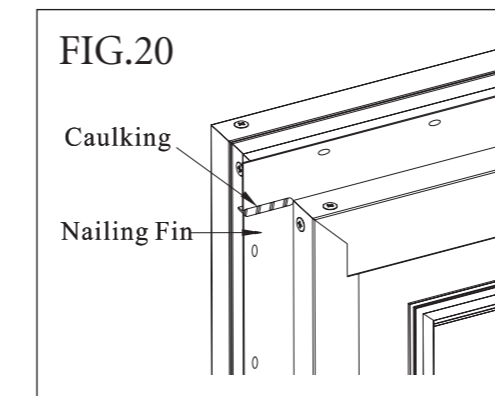
5. CHECK CLEARANCE AND SWING

- Unlock doors first inserting flat blade screwdriver into upper hole of door panel to turn dead bolt button vertically, then insert temporary handle set into lower hole and turn down to open door. (See Fig.19)



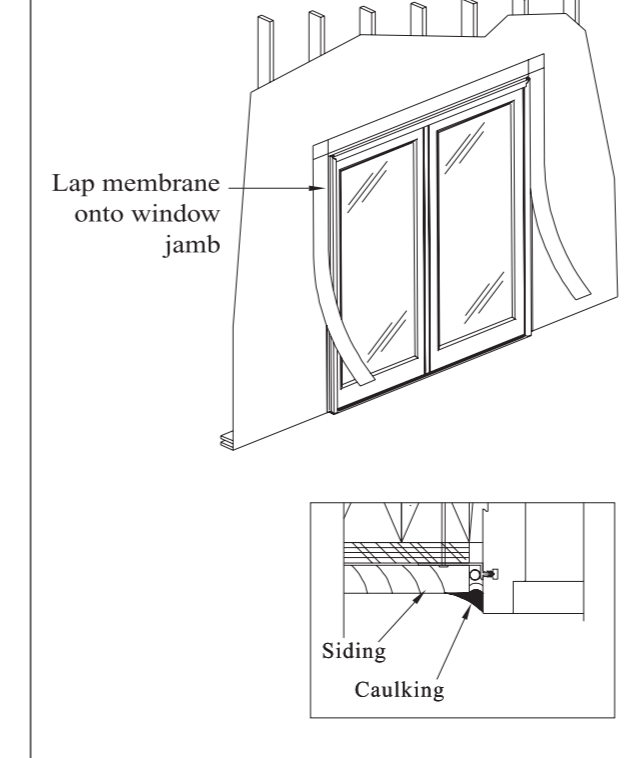
6. SEALING THE INSTALLATION

- Apply caulking on the top joints of the nailing fin. (See Fig.20)



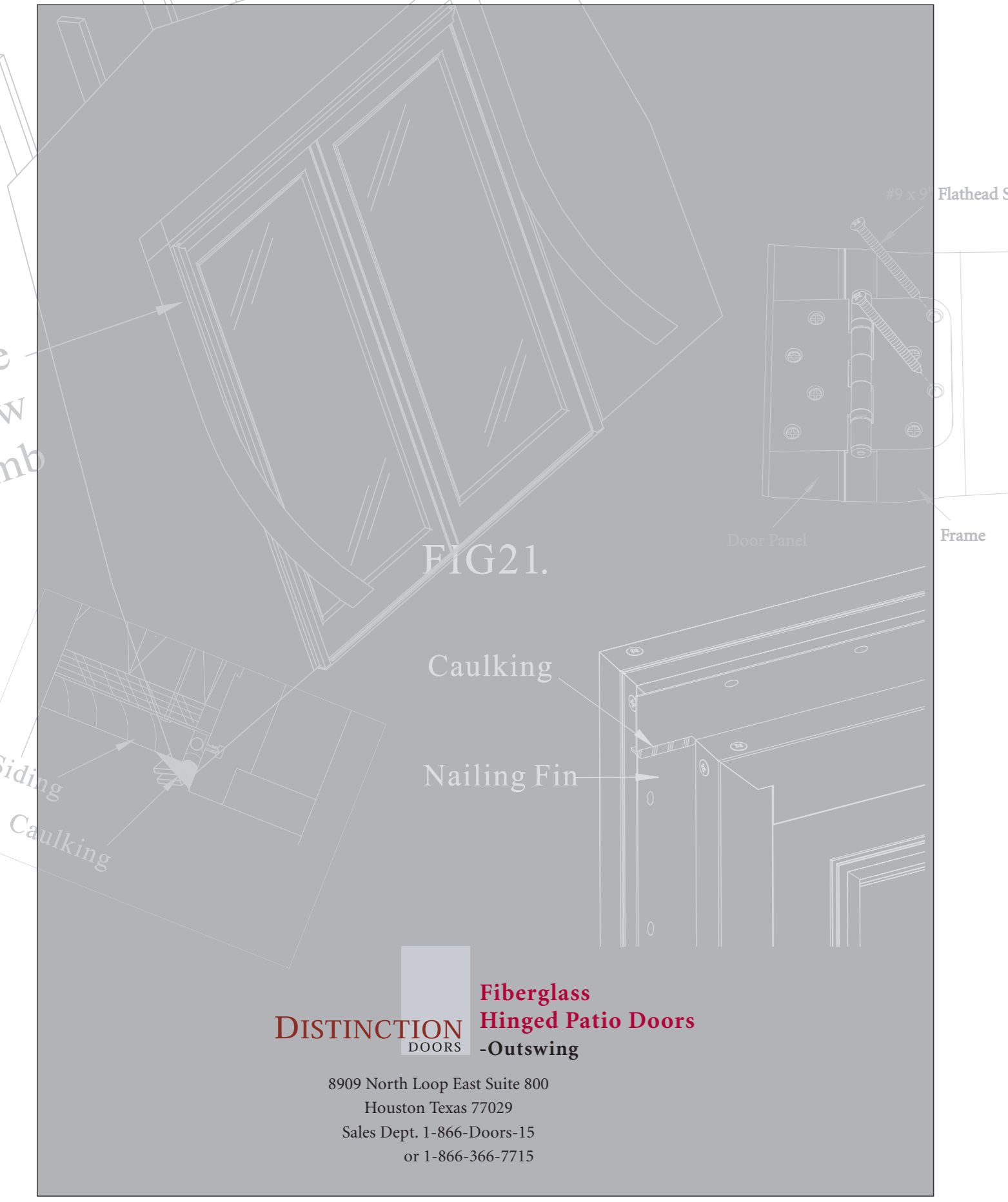
- Lap vertical strips of self sealing adhesive membrane (4" wide) onto the jambs' nailing fin and over the exterior sheathing.
- Install another layer of adhesive membrane lapping onto head jamb nailing fin and exterior sheathing. (See Fig. 21)
- Add insulation to air space between opening and unit.
- Caulk around entire perimeter of unit on "weather" side; seal brickmould to siding or facing, seal front bottom edge of sill, seal all joints between jamb and mouldings.

FIG.21



7. CLEANING INSTRUCTION

- Vinyl exterior part of the unit may be cleaned with mild detergent and water.
- Do not use any solvent, acids, or abrasives on the vinyl exterior.
- To clean the glass, use a soft clean grit-free cloth and mild detergent.
- Keep weep holes clean and clear of obstructions.



DISTINCTION DOORS
Fiberglass Hinged Patio Doors -Outswing
 8909 North Loop East Suite 800
 Houston Texas 77029
 Sales Dept. 1-866-Doors-15
 or 1-866-366-7715

Hinged Patio Doors - Outswing

Installation and Finishing Instruction

IMPORTANT: Please read and follow all instructions before beginning. For any questions, contact your local Distinction Doors representative.

Material required to prepare :

- Shims / spacers (12 to 20)
- 2" galvanized roofing nails (1/4 lb.)
- 4" wide water resistance adhesive membrane
- Silicone Sealant
- Interior trim and / or jamb extensions (15 to 40 ft)
- #10x3" installation screws

Tools Required:

- Tape measure
- 6' Level
- Square
- Hammer
- Stapler
- Scissors or utility knife
- Screwdrivers (#2 Phillips & small flat blade)
- Drill
- 13/32" & 1/8" Drill Bits

1. ROUGH OPENING INSPECTION AND PREPARATION

- The rough opening should be 3/4" wider than the frame width, and 1/2" higher than the frame height.
- Check sill for level and smooth. Clean away all debris before setting door assembly. (See Fig.1)
- Check rough opening for plumb and square by measuring diagonal. If it is not, correct as necessary. (See Fig.1)

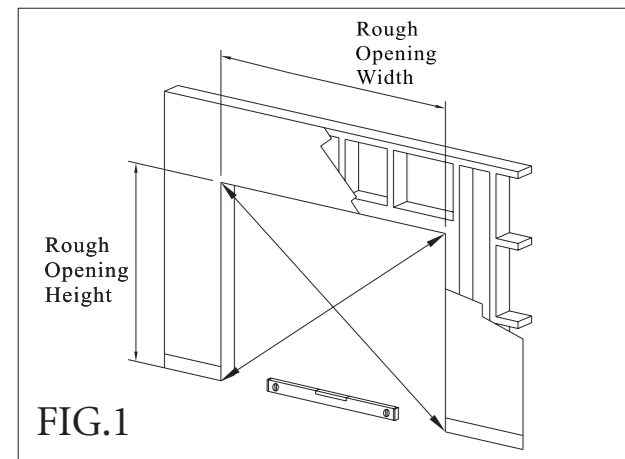


FIG.1

2. INSTALLING UNIT

- Carefully ensure the active door panel is locked before installation.
- Standard lock set
Use flat blade screwdriver to lock dead bolt. (See Fig.2)

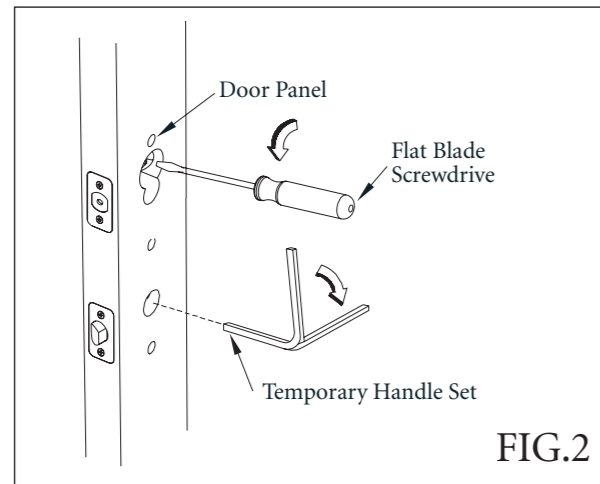
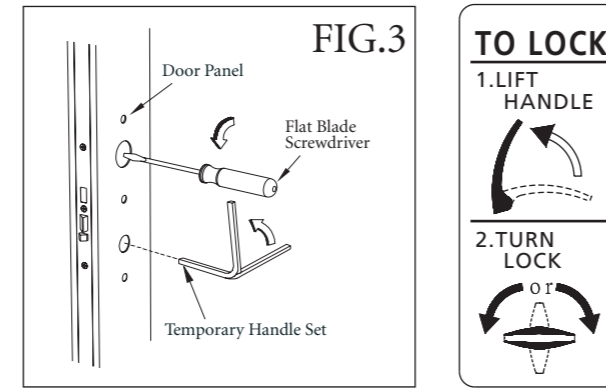
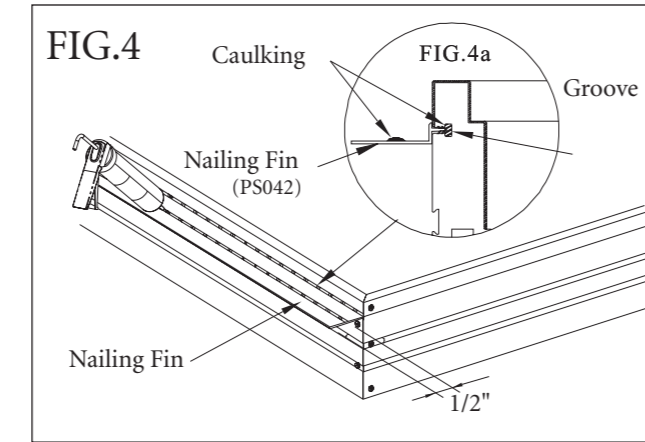


FIG.2

- Multi-point lock set
First insert temporary handle set into lower hole and Lift handle to lock door, then use flat blade screwdriver into upper hole to turn off dead bolt horizontally. (See Fig.3)



- Apply sealant into nailing fin grooves at head and jamb then snap in nailing fins. (See Fig.4a)
- Apply sealant in a continuous bead on the interior side of the nailing fin along the pre-punched holes. (See Fig.4)



- Apply sufficient amount of sealant along the entire length of the sub floor and 6" up each side of jambs. (See Fig.5)

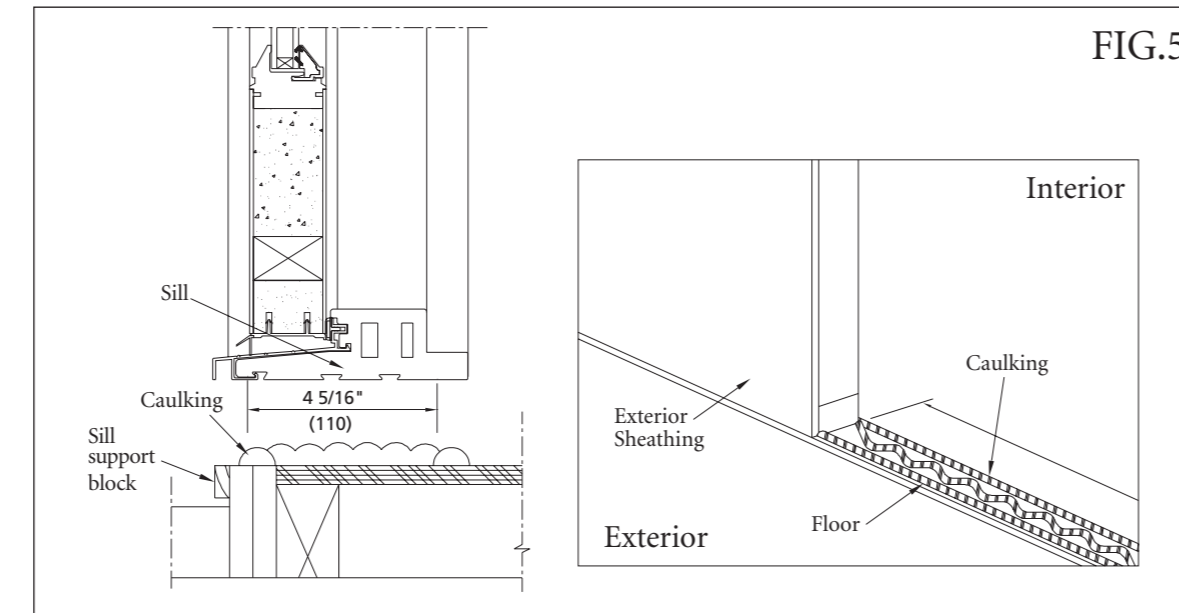


FIG.5

- Move door frame into rough opening, and center it. Temporarily fix an upper corner of the nailing fin with a 2" roofing nail and secure the same corner of head jamb with a #10x3" flat head screw from the interior side. (See Fig.6)

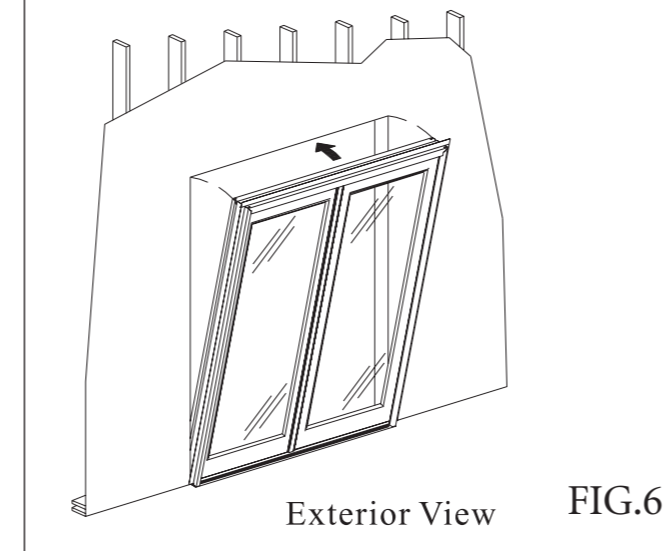
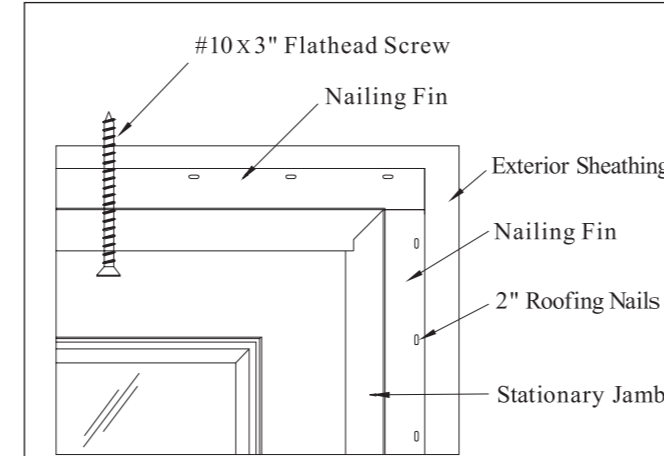
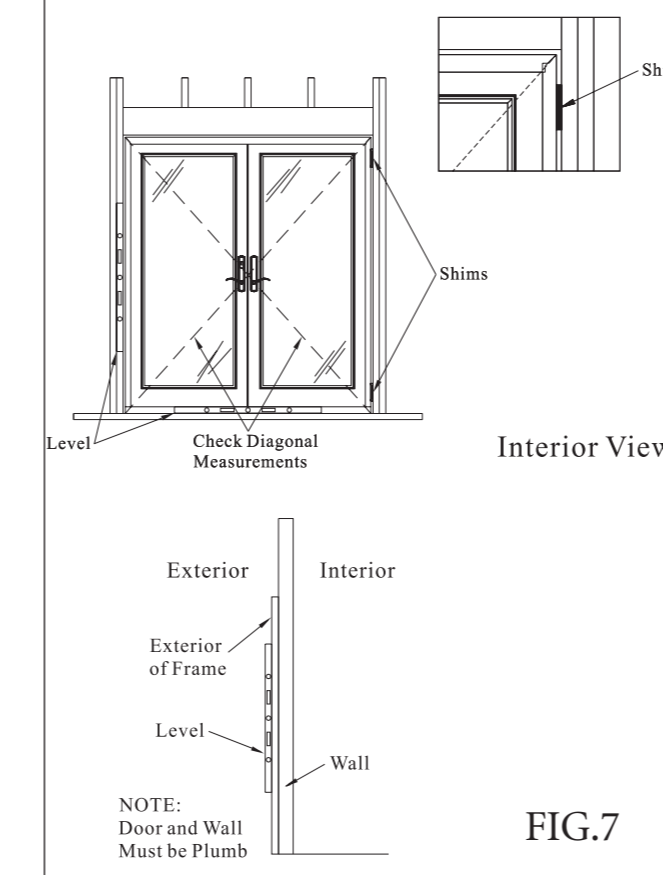


FIG.6

- Use level to check if the jambs are straight and plumb. The sill must be leveled and straight. Make sure the diagonal measurements of the entire frame are equal. Shim the corners 4" from the sill and head jamb. (See Fig.7)

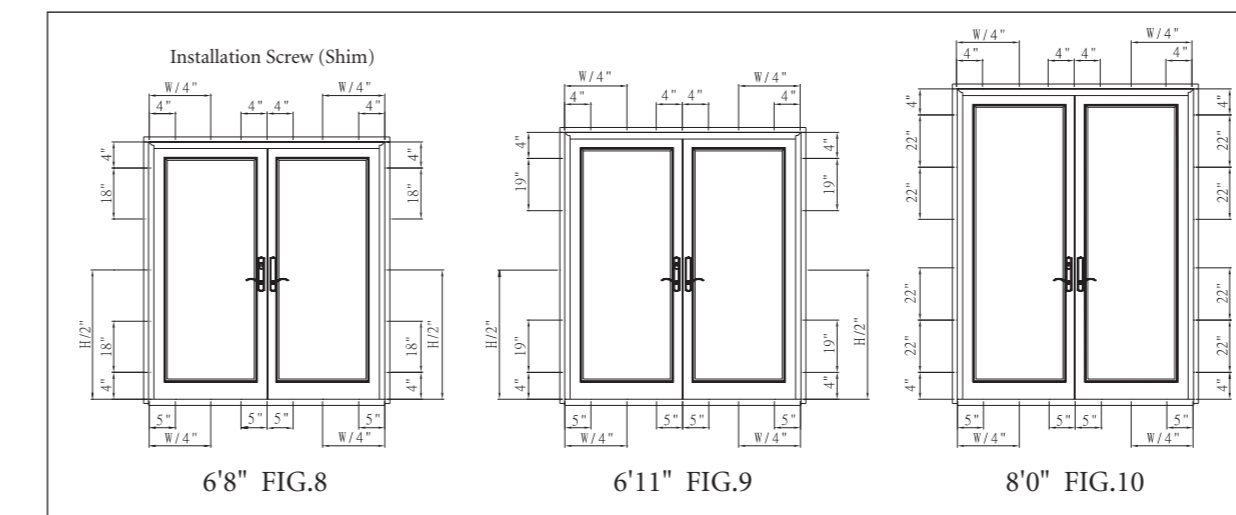


Interior View

FIG.7

3. FASTEN UNIT

- Shim the jambs 4" down from top and up from sill. Place additional shims every 18", 19", 22" around jambs. (See Fig.8, Fig.9, and Fig.10). Shim at keeper location. If installation pilot holes are drilled first as necessary. Recheck plumb level and square and adjust as necessary. Place fasteners in all pre-punched holes in installation fin approximately every 7-1/4".



6'8" FIG.8

6'11" FIG.9

8'0" FIG.10

- Use #10 x 3" flat head screw to secure the unit through the pre-drilled pilot holes through jambs. (See Fig.11) If unit is not pre-drilled use 1/8" bit to drill through jambs and studs at shim location. Use 13/32" bit to enlarge pre-drilled holes 1/4" deep into jambs for plug covers. (See Fig.12)

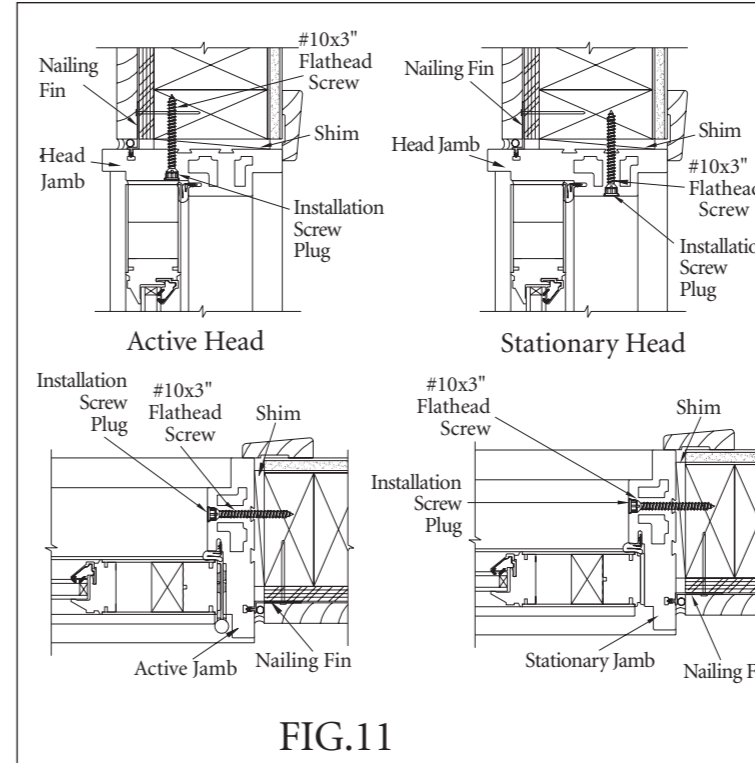


FIG.11

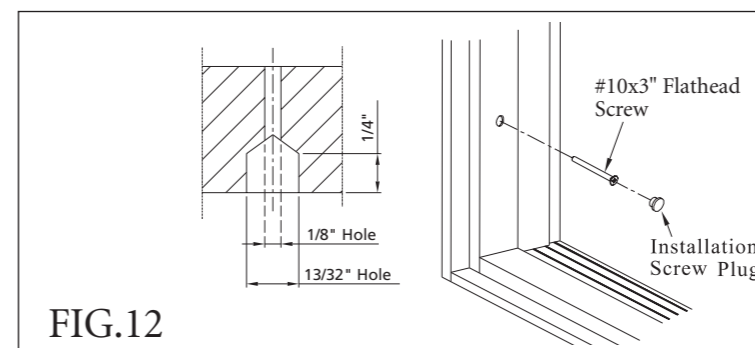


FIG.12

4. INSTALL HARDWARE

- Assemble handle spindle. (See Fig.13)

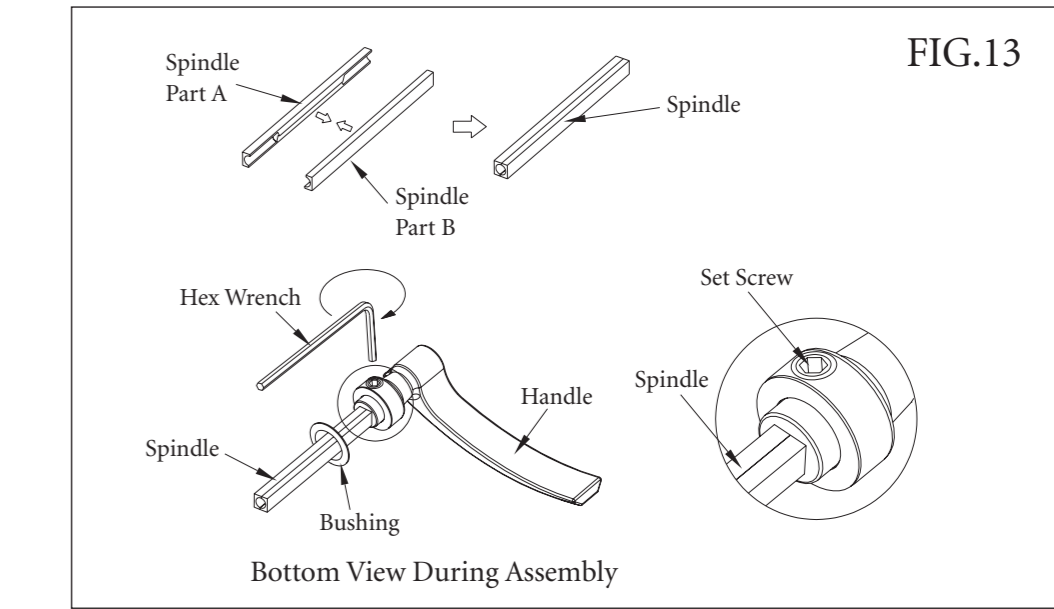


FIG.13

- Standard lock handle set. (See Fig.14)

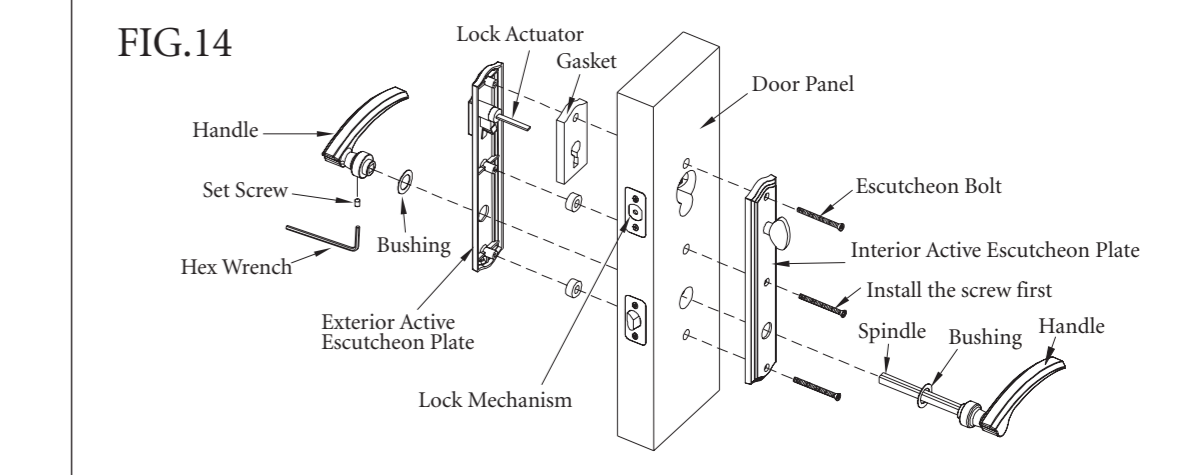


FIG.14

- Multi-point lock handle set. (See Fig.15)

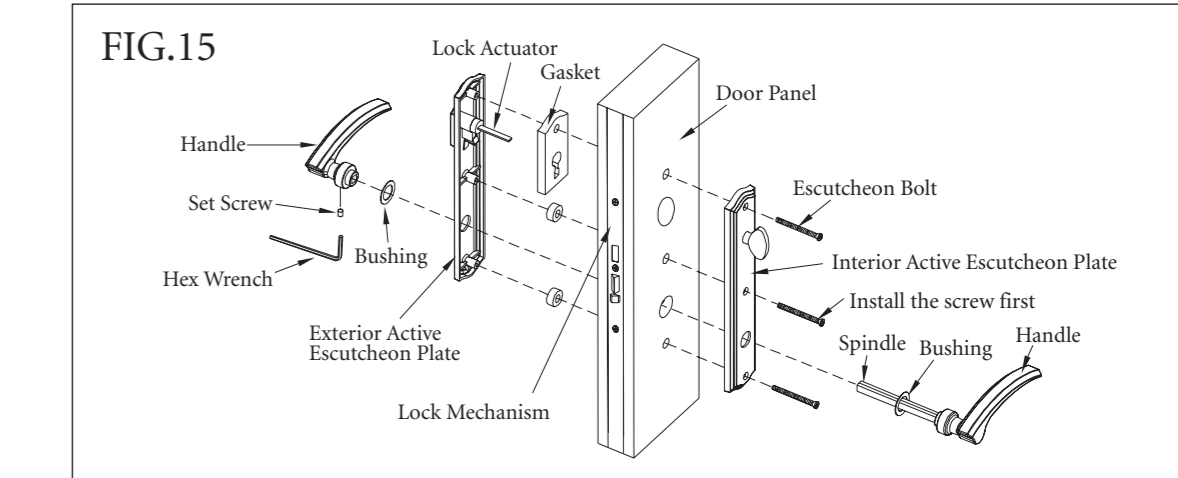


FIG.15