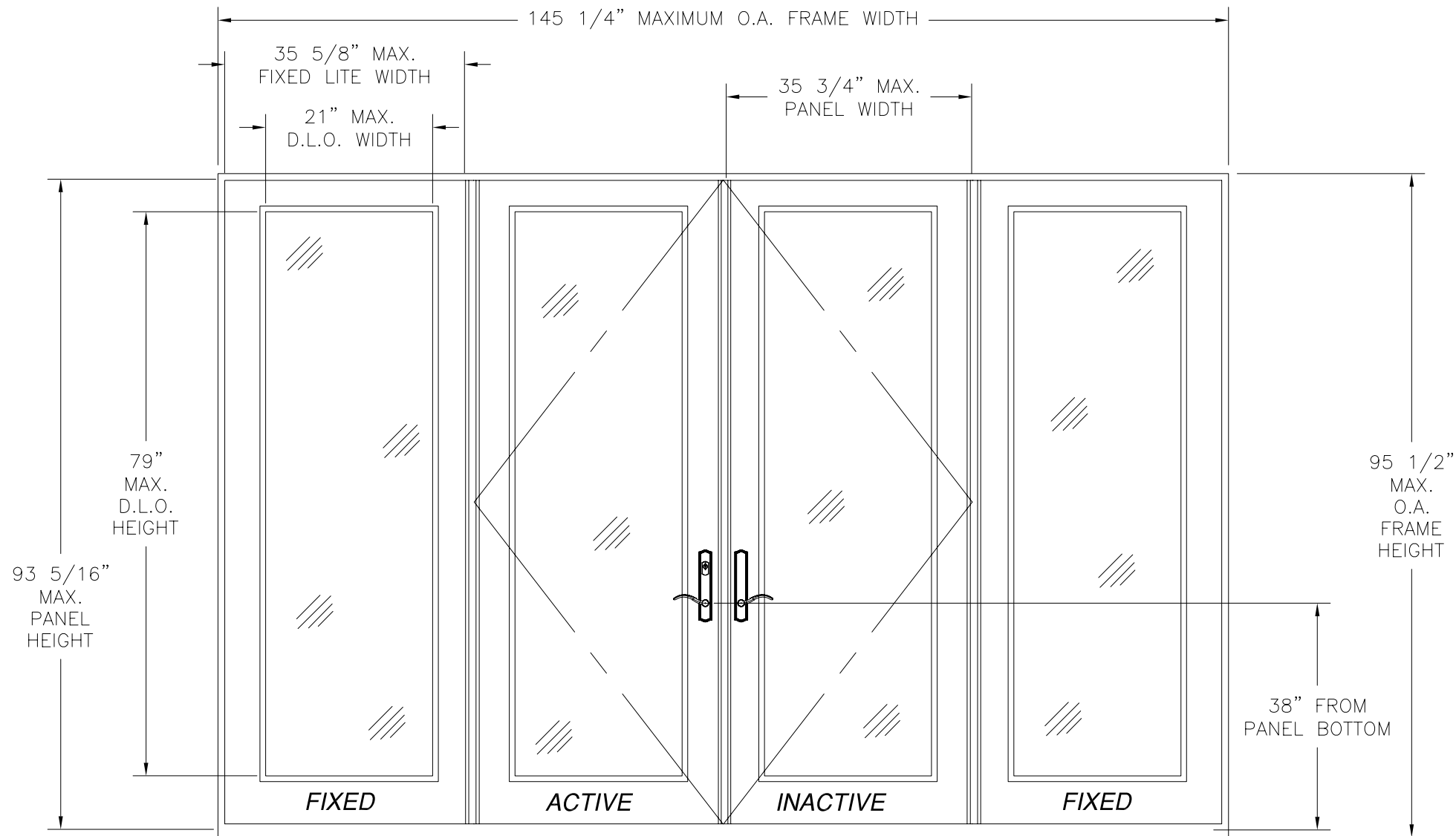


REVISIONS			
REV	DESCRIPTION	DATE	APPROVED



DISTINCTION OS FIBERGLASS GLAZED PATIO DOOR

EXTERIOR VIEW

DESIGN PRESSURE RATING	IMPACT RATING
±70PSF	NONE

NOTES:

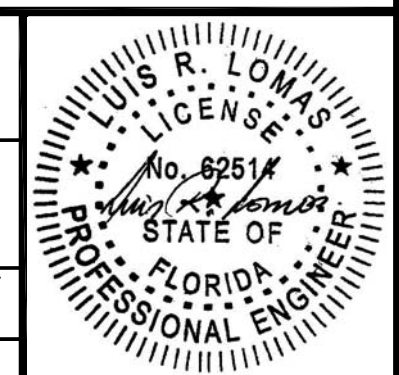
- 1) THE PRODUCT SHOWN HEREIN IS DESIGNED AND MANUFACTURED TO COMPLY WITH REQUIREMENTS OF FLORIDA BUILDING CODE.
- 2) WOOD FRAMING OPENING TO BE DESIGNED AND ANCHORED TO PROPERLY TRANSFER ALL LOADS TO STRUCTURE. WOOD FRAMING OPENING IS THE RESPONSIBILITY OF THE ARCHITECT OR ENGINEER OF RECORD.
- 3) APPROVED IMPACT PROTECTIVE SYSTEM IS REQUIRED FOR THIS PRODUCT IN WIND BORNE DEBRIS REGIONS.
- 4) UNITS MUST BE GLAZED PER ASTM E1300.
- 5) ALLOWABLE STRESS INCREASE OF 1/3 WAS NOT USED IN THE DESIGN OF THE PRODUCT SHOWN HEREIN. WIND LOAD DURATION FACTOR Cd=1.6 WAS USED FOR WOOD ANCHOR CALCULATIONS.
- 6) SHIM AS REQUIRED AT EACH INSTALLATION ANCHOR WITH LOAD BEARING SHIM. SHIM WHERE SPACE OF 1/16" OR GREATER OCCURS. MAXIMUM ALLOWABLE SHIM STACK TO BE 1/4".
- 7) FOR ANCHORING INTO 2X BUCK OR WOOD FRAMING USE #10 WOOD SCREW OF SUFFICIENT LENGTH TO ACHIEVE A 1 3/8" MINIMUM EMBEDMENT INTO SUBSTRATE. LOCATE ANCHORS AS SHOWN IN ANCHORING LAYOUT AND INSTALLATION DETAILS.
- 8) ALL FASTENERS TO BE CORROSION RESISTANT.
- 9) INSTALLATION ANCHOR CAPACITIES FOR PRODUCTS HEREIN ARE BASED ON SUBSTRATE MATERIAL WITH THE FOLLOWING PROPERTIES:
A. WOOD - G=0.42 MINIMUM SPECIFIC GRAVITY
- 10) FRAME JAMB AND HEAD MATERIAL: CO-EXTRUDED PVC FOAM 1 5/8" THICK.
- 11) FRAME SILL MATERIAL: CO-EXTRUDED PVC FOAM 1 1/2" THICK WITH ALUMINUM CLADDING .063" THICK.
- 12) DOOR PANEL AND SIDELITE MATERIAL: .075" THICK FIBERGLASS SKIN WITH PVC FOAM TOP AND BOTTOM RAILS, AND PVC FOAM VERTICAL STILES WITH PINE REINFORCEMENTS AND POLYURETHANE FOAM CORE.
- 13) APPROVED CONFIGURATIONS: X, OX, XO, XX, OO, OXO, XXO, OXX, OOO AND OXXO. SEE SHEET 2.
- 14) HINGE LOCATION: (2) FROM TOP OF PANEL DOWN AT 8" AND 33 1/4" AND (2) FROM BOTTOM OF PANEL UP AT 8 1/2" AND 34".

TABLE OF CONTENTS	
SHEET NO.	DESCRIPTION
1	ELEVATION AND NOTES
2	ADDITIONAL CONFIGURATIONS AND HARDWARE
3	ANCHORING LAYOUTS
4	ANCHORING LAYOUT AND INSTALLATION DETAILS
5 - 6	INSTALLATION DETAILS

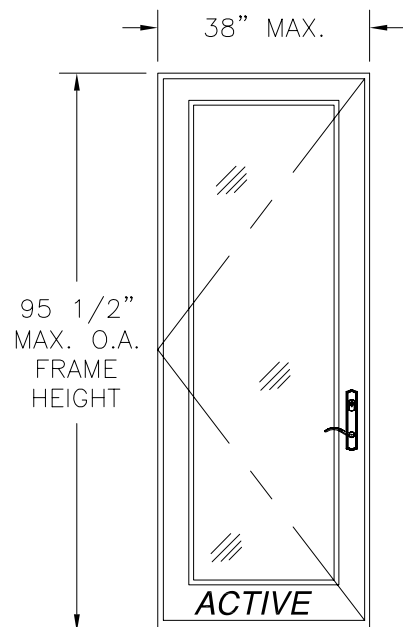
NAN YA PLASTICS CORP. USA
 8989 NORTH LOOP EAST
 HOUSTON, TX 77029

DISTINCTION OS FIBERGLASS GLAZED PATIO DOOR
 WITH AND WITHOUT SIDELITES
 OXXO ELEVATION AND NOTES

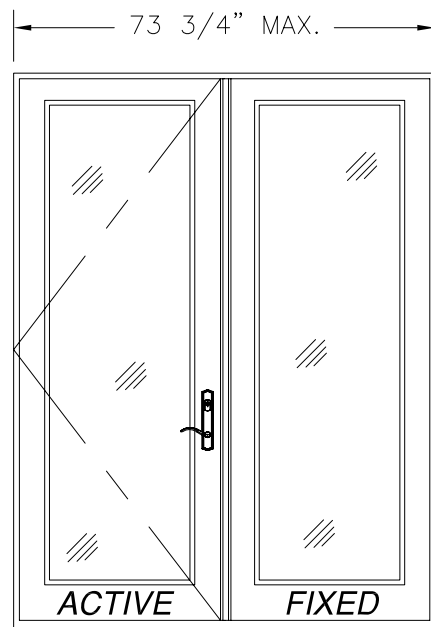
DRAWN: TJH	DWG NO. 08-00769	REV -
SCALE NTS	DATE 07/01/09	SHEET 1 OF 6



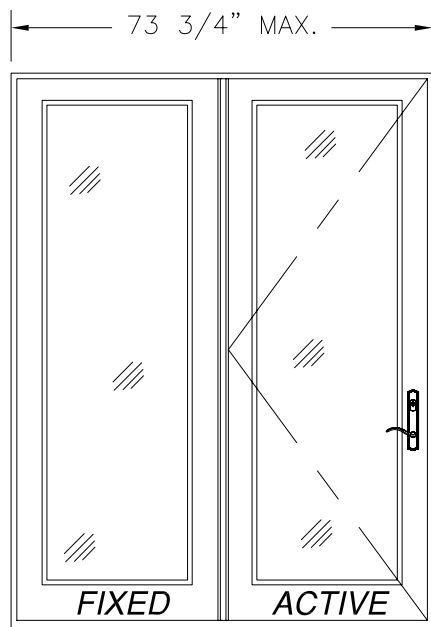
REVISIONS			
REV	DESCRIPTION	DATE	APPROVED



SINGLE
EXTERIOR VIEW

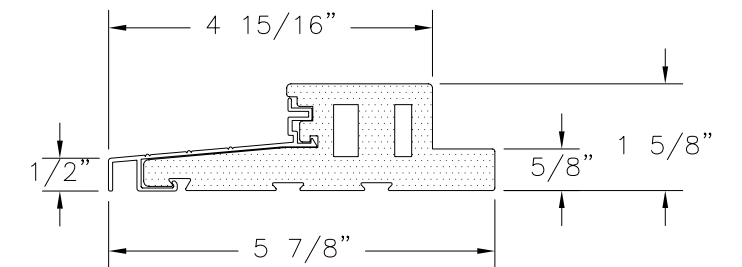


**SINGLE W/SIDELITE OR
DOUBLE FIXED**
EXTERIOR VIEW

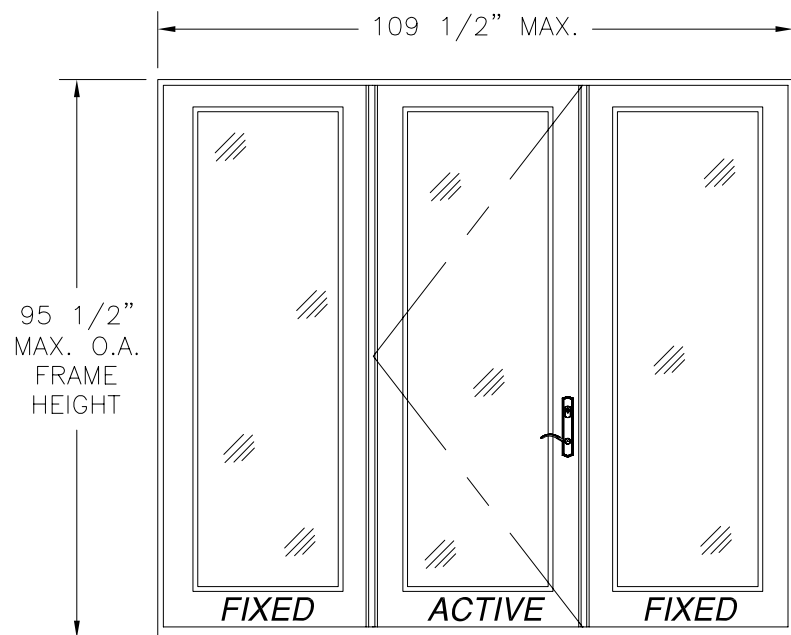


**SINGLE W/SIDELITE OR
DOUBLE FIXED**
EXTERIOR VIEW

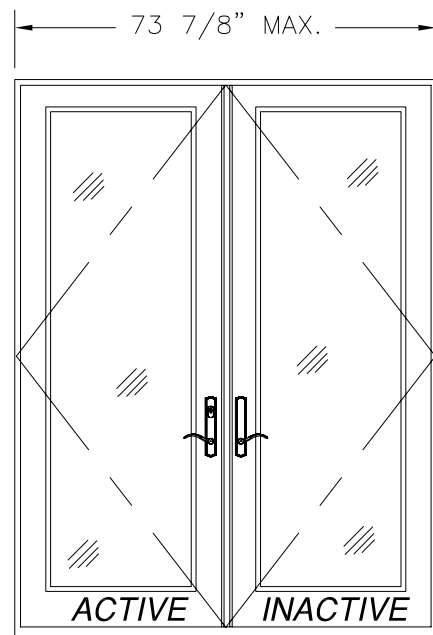
HARDWARE SCHEDULE	
A.	3-POINT LOCK HANDLE ASSEMBLY NINGBO MICOTA LOCKS
B.	(4) 4" x 4" BUTT HINGES BY WENZHOU LONGTAI HINGES
C.	EXTRUDED ALUMINUM & PVC FOAM ASTRAGAL BY NAN YA PLASTICS
D.	EXTRUDED ALUMINUM & PVC FOAM MULLION BY NAN YA PLASTICS



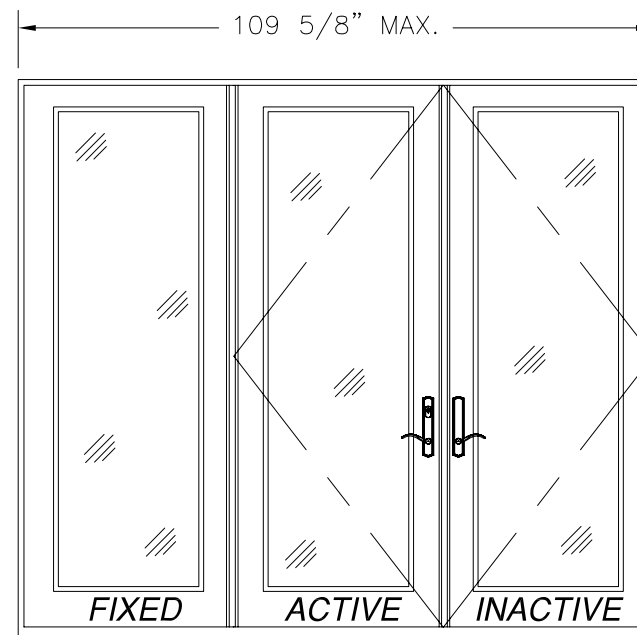
OUTSWING DOOR SILL DETAIL



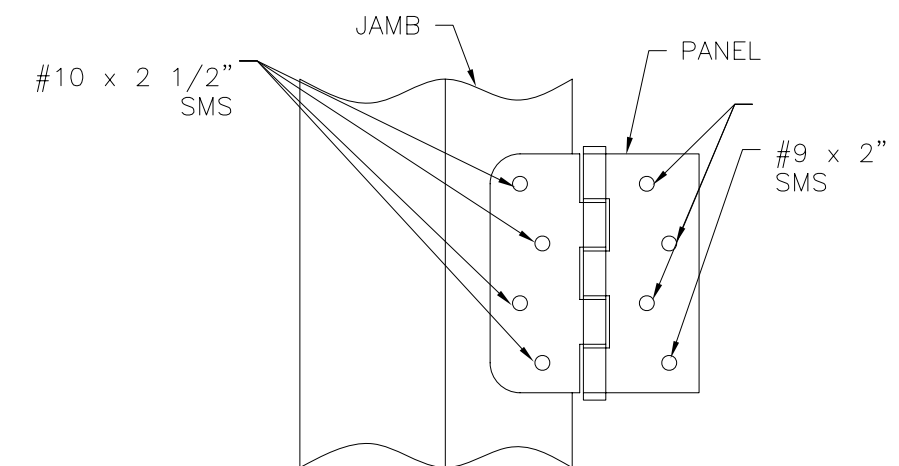
**SINGLE W/SIDELITES OR
TRIPLE FIXED**
EXTERIOR VIEW



DOUBLE
EXTERIOR VIEW



DOUBLE W/SIDELITES
EXTERIOR VIEW



HINGE INSTALLATION DETAIL

NOTE:
ALL APPROVED CONFIGURATIONS ARE SHOWN AS LEFT HAND
ACTIVE, RIGHT HAND ACTIVE IS ALSO APPROVED.

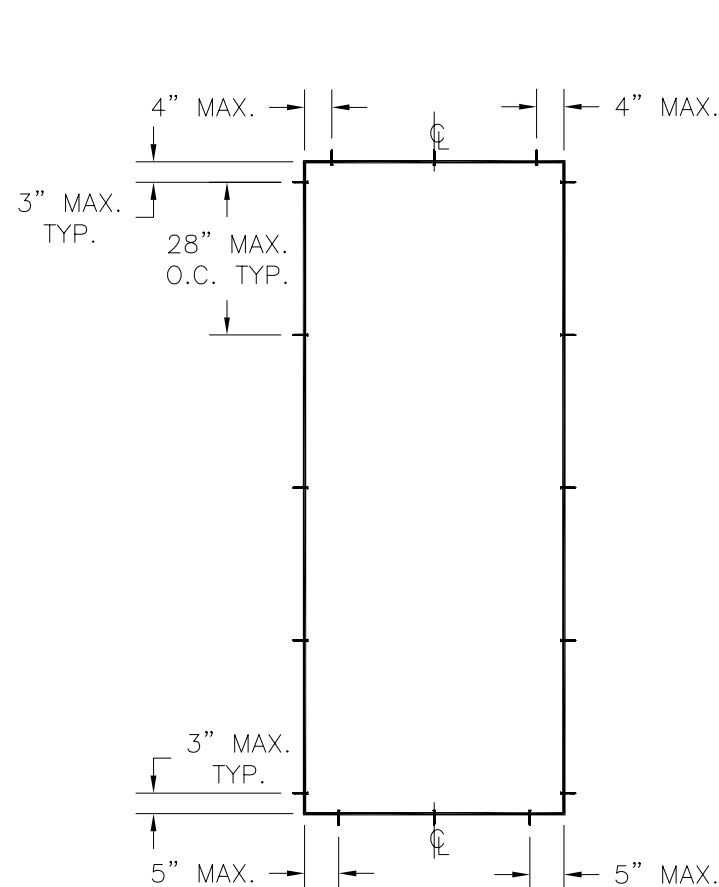
NAN YA PLASTICS CORP. USA
8989 NORTH LOOP EAST
HOUSTON, TX 77029

DISTINCTION OS FIBERGLASS GLAZED PATIO DOOR
WITH AND WITHOUT SIDELITES
ADDITIONAL CONFIGURATIONS AND HARDWARE

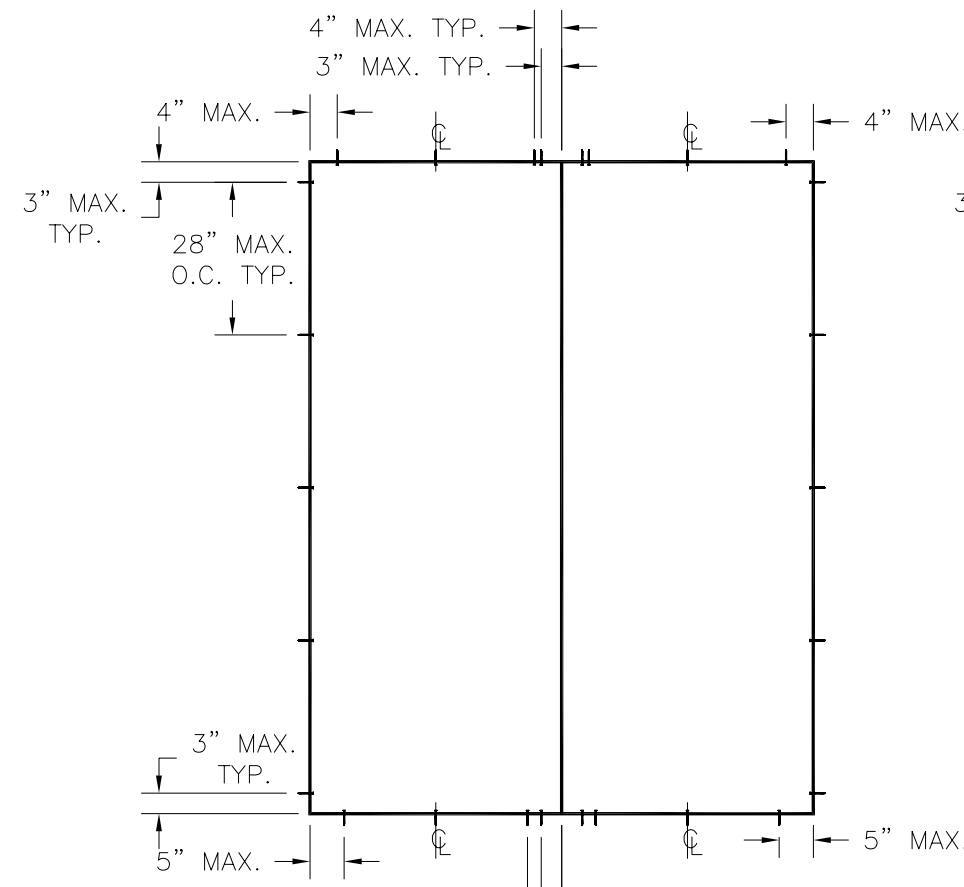
DRAWN: TJH	DWG. NO. 08-00769	REV -
SCALE NTS	DATE 07/01/09	SHEET 2 OF 6



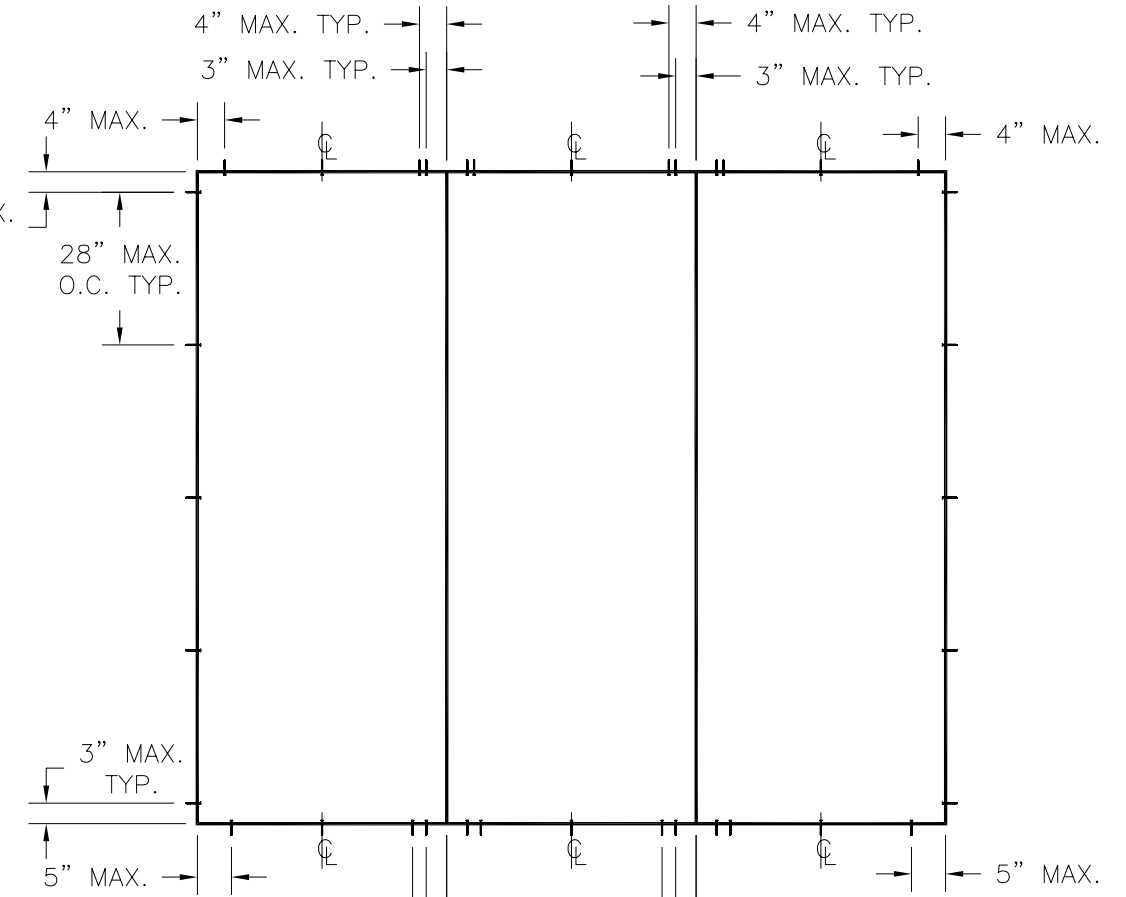
REVISIONS			
REV	DESCRIPTION	DATE	APPROVED



SINGLE



SINGLE W/SIDELITE, DOUBLE
OR DOUBLE FIXED

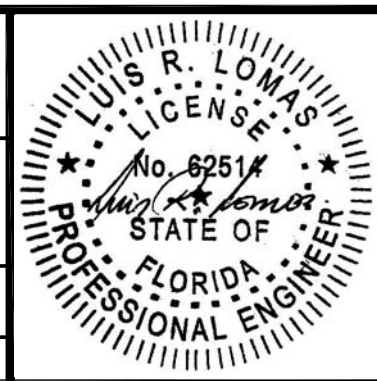


SINGLE W/SIDELITES, DOUBLE W/SIDELITE
OR TRIPLE FIXED

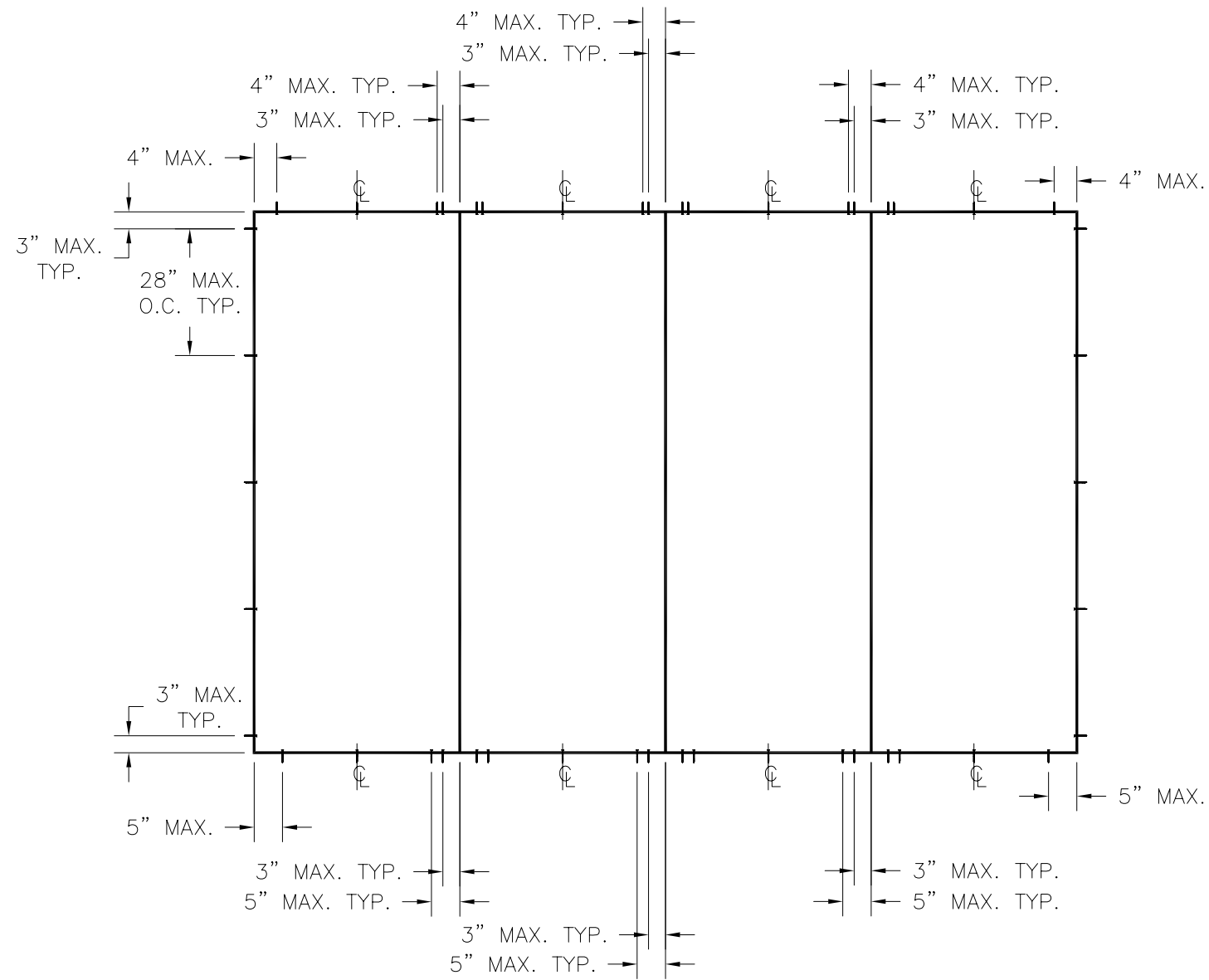
NAN YA PLASTICS CORP. USA
8989 NORTH LOOP EAST
HOUSTON, TX 77029

DISTINCTION OS FIBERGLASS GLAZED PATIO DOOR
WITH AND WITHOUT SIDELITES
ANCHORING LAYOUTS

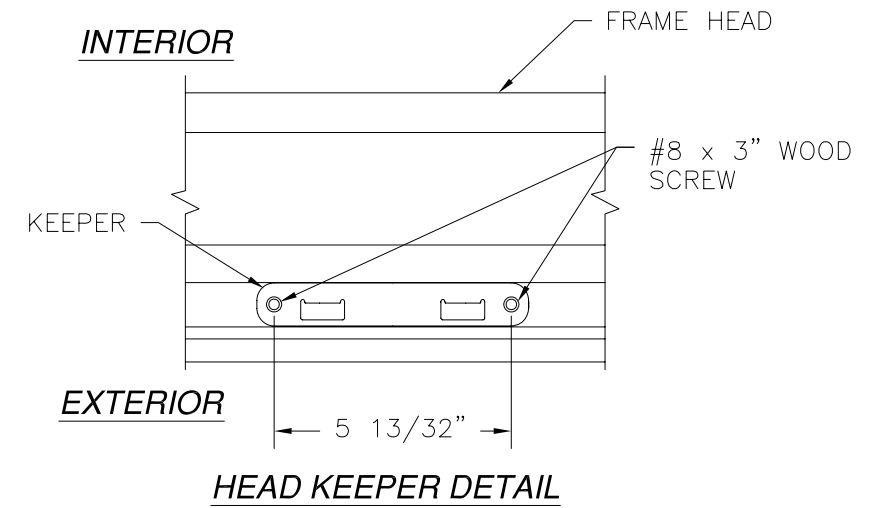
DRAWN: TJH	DWG NO. 08-00769	REV -
SCALE NTS	DATE 07/01/09	SHEET 3 OF 6



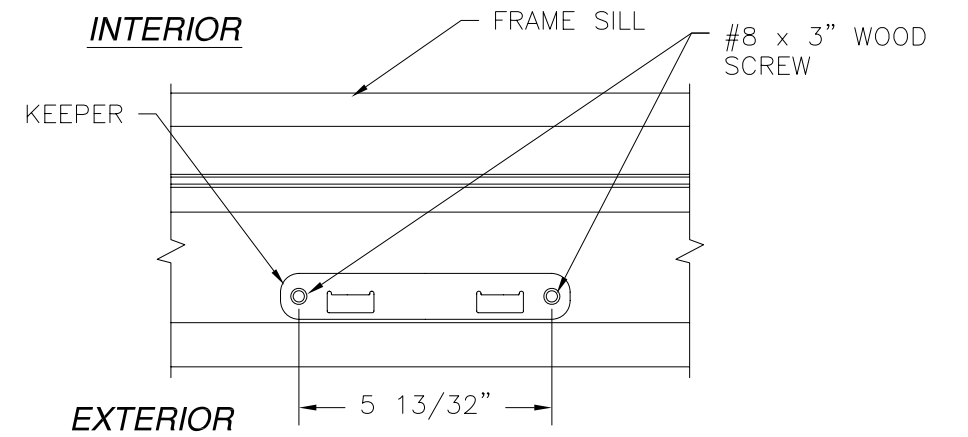
REVISIONS			
REV	DESCRIPTION	DATE	APPROVED



DOUBLE W/SIDELITES



HEAD KEEPER DETAIL



SILL KEEPER DETAIL

NAN YA PLASTICS CORP. USA
8989 NORTH LOOP EAST
HOUSTON, TX 77029

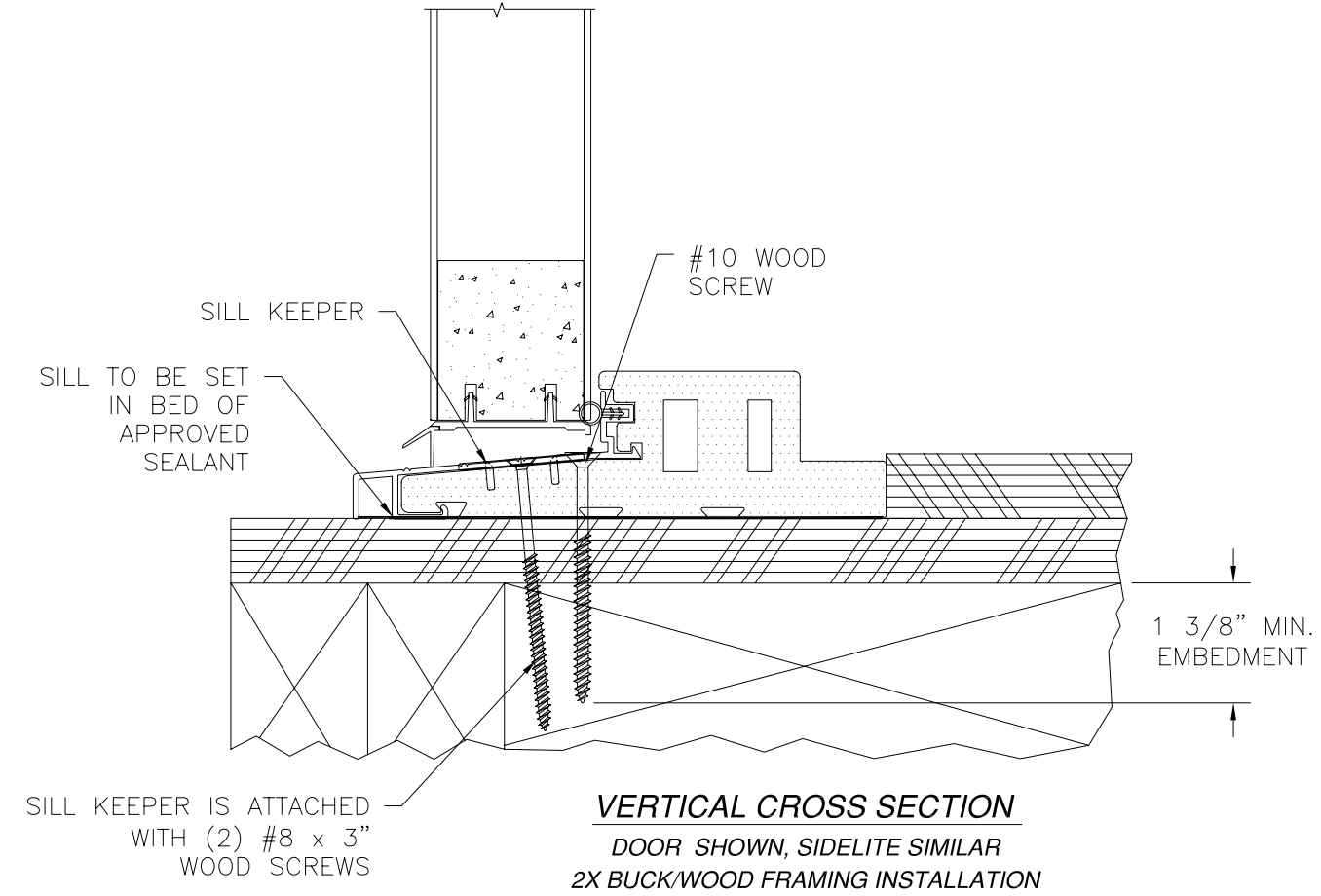
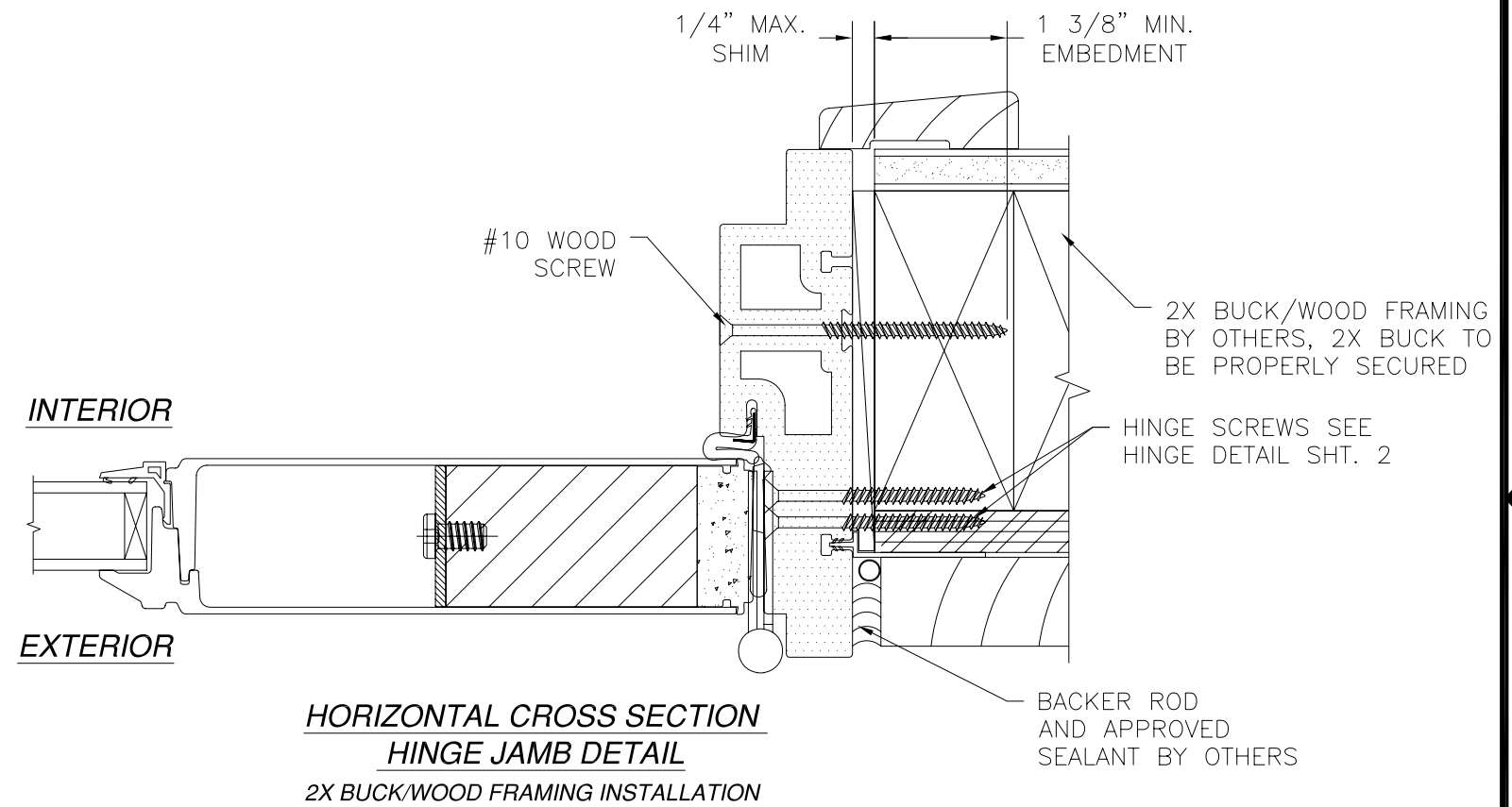
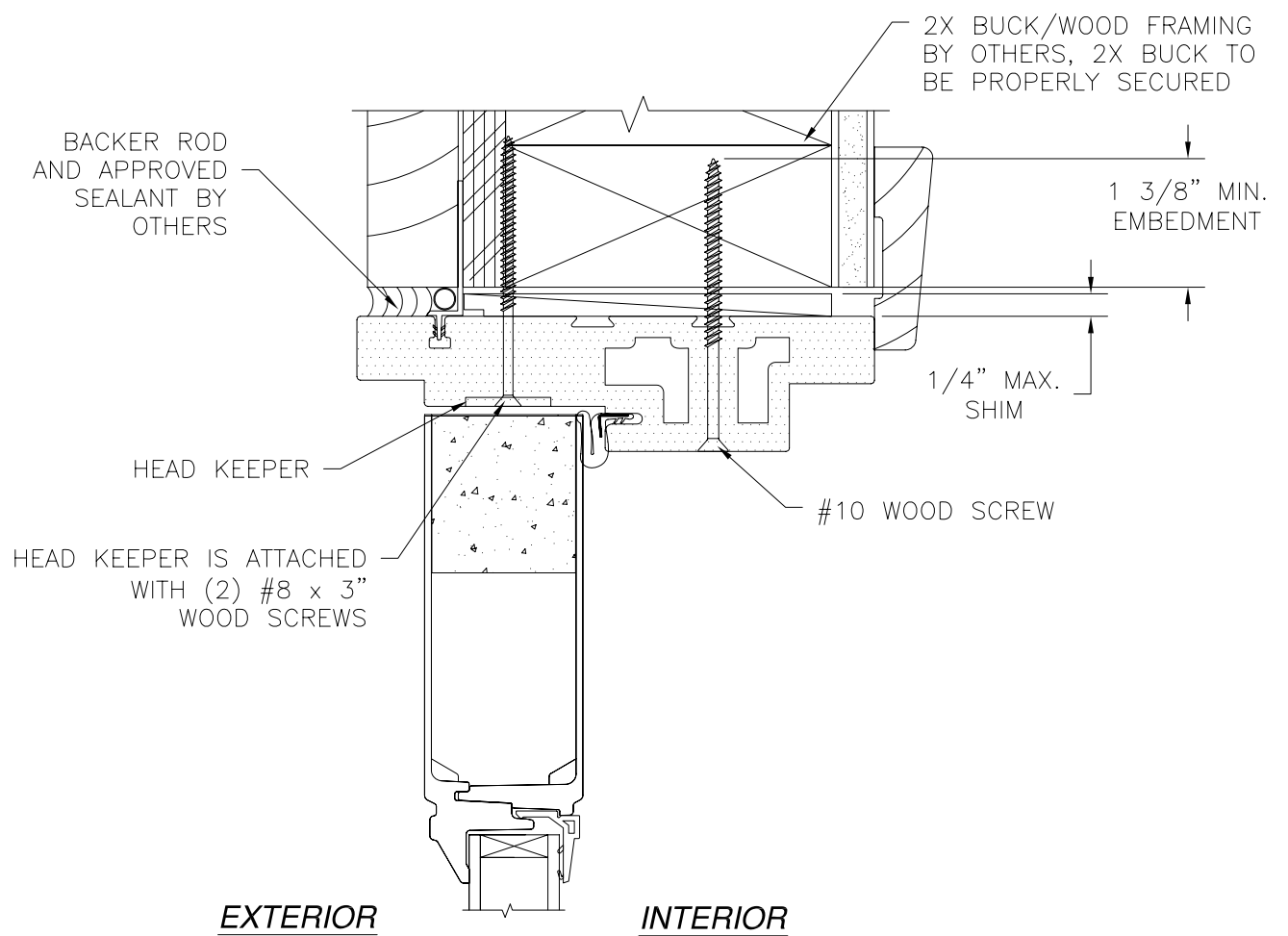
DISTINCTION OS FIBERGLASS GLAZED PATIO DOOR
WITH AND WITHOUT SIDELITES
ANCHORING LAYOUT AND INSTALLATION DETAILS

DRAWN: TJH	DWG. NO. 08-00769	REV -
---------------	----------------------	----------

SCALE NTS	DATE 07/01/09	SHEET 4 OF 6
-----------	---------------	--------------



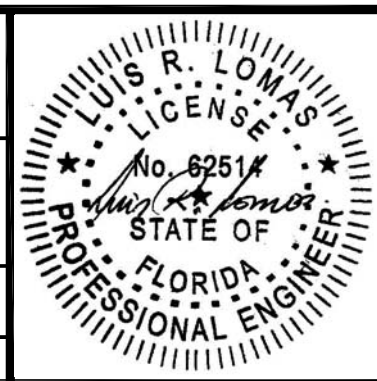
REVISIONS			
REV	DESCRIPTION	DATE	APPROVED



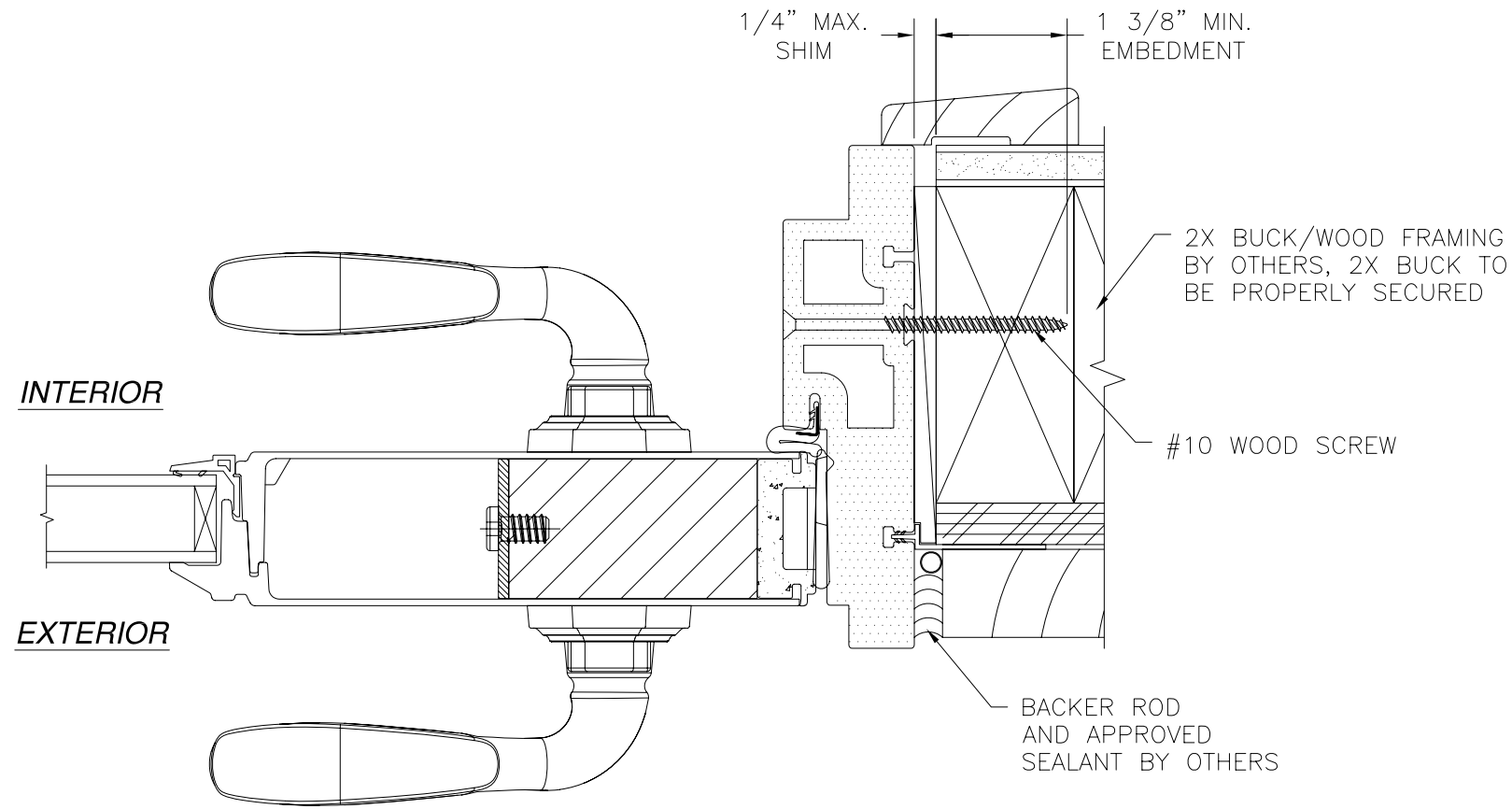
NAN YA PLASTICS CORP. USA
8989 NORTH LOOP EAST
HOUSTON, TX 77029

DISTINCTION OS FIBERGLASS GLAZED PATIO DOOR
WITH AND WITHOUT SIDELITES
INSTALLATION DETAILS

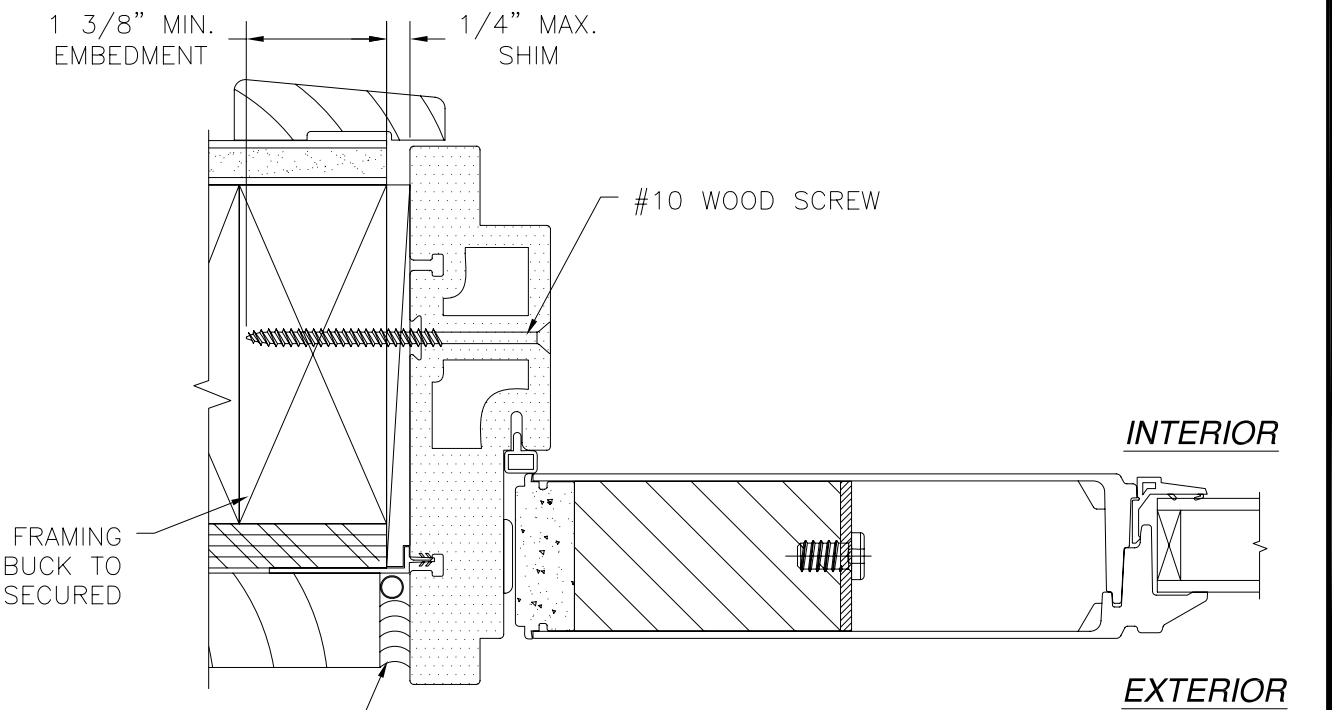
DRAWN: TJH	DWG. NO. 08-00769	REV -
SCALE NTS	DATE 07/01/09	SHEET 5 OF 6



REVISIONS			
REV	DESCRIPTION	DATE	APPROVED



**HORIZONTAL CROSS SECTION
STRIKE JAMB DETAIL**
2X BUCK/WOOD FRAMING INSTALLATION



**HORIZONTAL CROSS SECTION
SIDELITE JAMB DETAIL**
2X BUCK/WOOD FRAMING INSTALLATION

NAN YA PLASTICS CORP. USA
8989 NORTH LOOP EAST
HOUSTON, TX 77029

DISTINCTION OS FIBERGLASS GLAZED PATIO DOOR
WITH AND WITHOUT SIDELITES
INSTALLATION DETAILS

DRAWN: TJH	DWG NO. 08-00769	REV -
SCALE NTS	DATE 07/01/09	SHEET 6 OF 6

