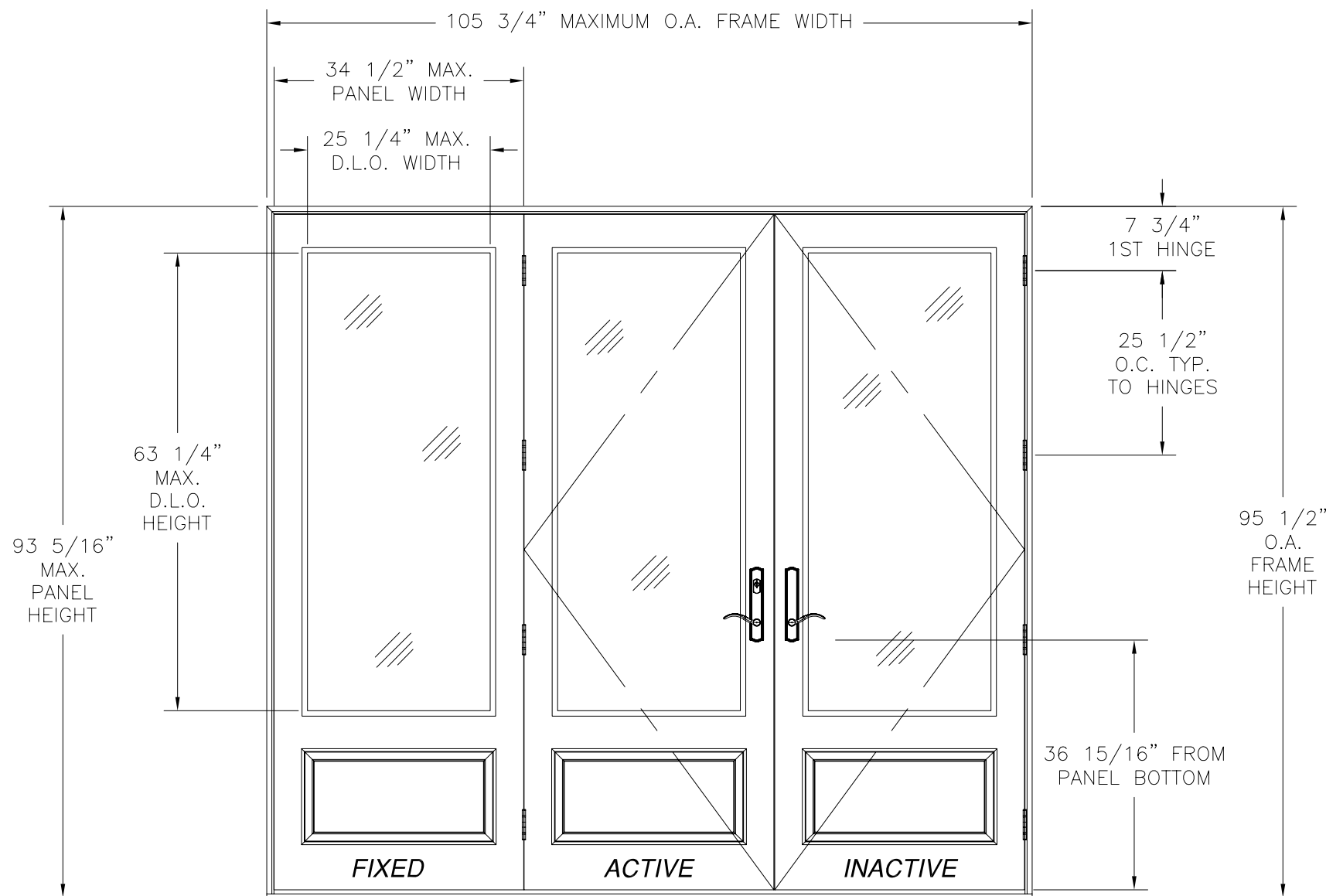


REVISIONS			
REV	DESCRIPTION	DATE	APPROVED



8' NEUMA OS FIBERGLASS 3/4 LITE PATIO DOOR
EXTERIOR VIEW

DESIGN PRESSURE RATING	IMPACT RATING
±50PSF	NONE

NOTES:

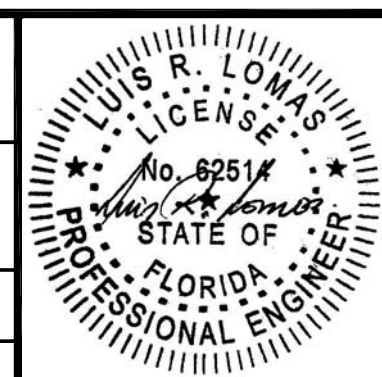
- 1) THE PRODUCT SHOWN HEREIN IS DESIGNED AND MANUFACTURED TO COMPLY WITH REQUIREMENTS OF FLORIDA BUILDING CODE.
- 2) WOOD FRAMING OPENING TO BE DESIGNED AND ANCHORED TO PROPERLY TRANSFER ALL LOADS TO STRUCTURE. WOOD FRAMING OPENING IS THE RESPONSIBILITY OF THE ARCHITECT OR ENGINEER OF RECORD.
- 3) APPROVED IMPACT PROTECTIVE SYSTEM IS REQUIRED FOR THIS PRODUCT IN WIND BORNE DEBRIS REGIONS.
- 4) UNITS MUST BE GLAZED PER ASTM E1300.
- 5) ALLOWABLE STRESS INCREASE OF 1/3 WAS NOT USED IN THE DESIGN OF THE PRODUCT SHOWN HEREIN. WIND LOAD DURATION FACTOR Cd=1.6 WAS USED FOR WOOD ANCHOR CALCULATIONS.
- 6) SHIM AS REQUIRED AT EACH INSTALLATION ANCHOR WITH LOAD BEARING SHIM. SHIM WHERE SPACE OF 1/16" OR GREATER OCCURS. MAXIMUM ALLOWABLE SHIM STACK TO BE 1/4".
- 7) FOR ANCHORING INTO 2X BUCK OR WOOD FRAMING USE #10 WOOD SCREW OF SUFFICIENT LENGTH TO ACHIEVE A 1 3/8" MINIMUM EMBEDMENT INTO SUBSTRATE. LOCATE ANCHORS AS SHOWN IN ANCHORING LAYOUT AND INSTALLATION DETAILS.
- 8) ALL FASTENERS TO BE CORROSION RESISTANT.
- 9) INSTALLATION ANCHOR CAPACITIES FOR PRODUCTS HEREIN ARE BASED ON SUBSTRATE MATERIAL WITH THE FOLLOWING PROPERTIES:
A. WOOD - G=0.42 MINIMUM SPECIFIC GRAVITY
- 10) FRAME JAMB AND HEAD MATERIAL: CO-EXTRUDED PVC FOAM 1 1/2" THICK.
- 11) FRAME SILL MATERIAL: CO-EXTRUDED PVC FOAM 1 1/2" THICK WITH ALUMINUM CLADDING .063" THICK.
- 12) DOOR PANEL AND SIDELITE MATERIAL: .075" THICK FIBERGLASS SKIN WITH PVC FOAM TOP AND BOTTOM RAILS AND VERTICAL STILES AND POLYURETHANE FOAM CORE.
- 13) APPROVED CONFIGURATIONS: X, OX, XO, XX, OXO, XXO AND OXX. SEE SHEET 2.

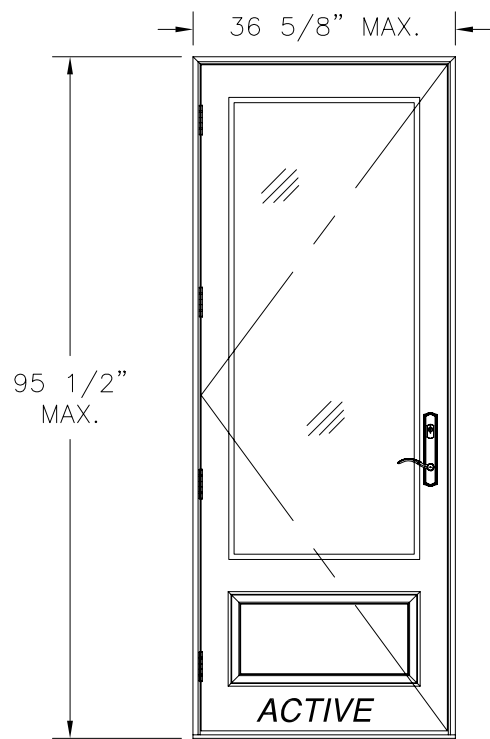
TABLE OF CONTENTS	
SHEET NO.	DESCRIPTION
1	ELEVATION AND NOTES
2	ADDITIONAL CONFIGURATIONS AND HARDWARE
3	ANCHORING LAYOUTS
4 - 5	INSTALLATION DETAILS

NAN YA PLASTICS CORP. USA
8989 NORTH LOOP EAST
HOUSTON, TX 77029

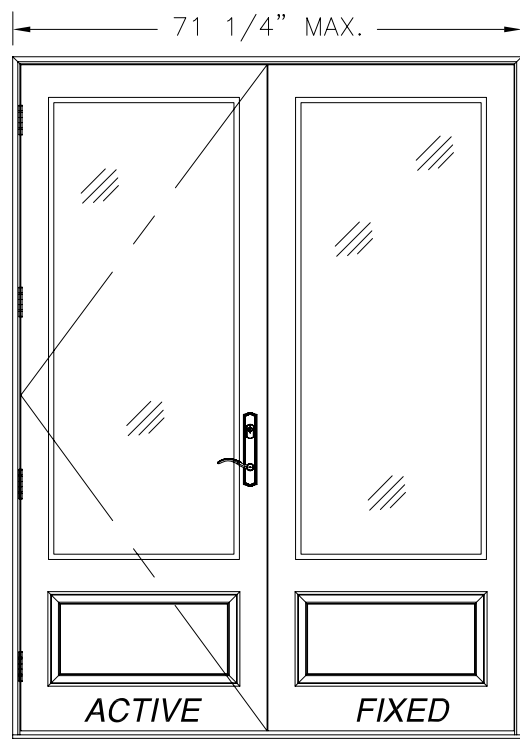
8' NEUMA OS FIBERGLASS 3/4 LITE PATIO DOOR WITH AND WITHOUT SIDELITES OXX ELEVATION AND NOTES

DRAWN: TJH	DWG NO. 08-00767	REV -
SCALE NTS	DATE 05/29/09	SHEET 1 OF 5

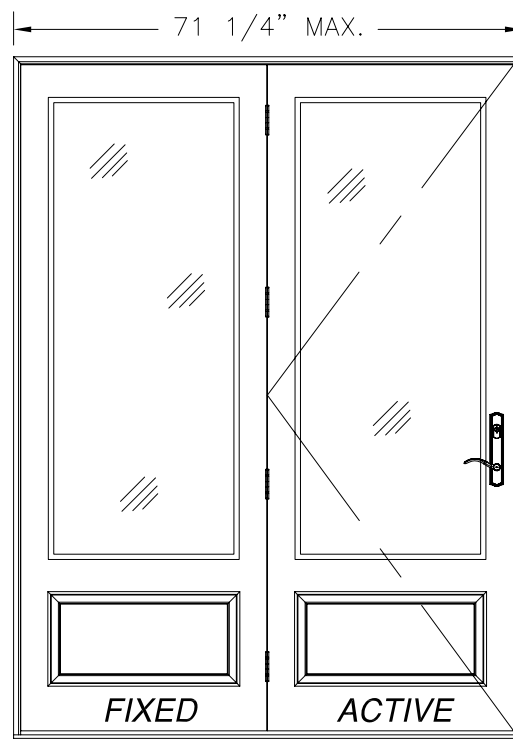




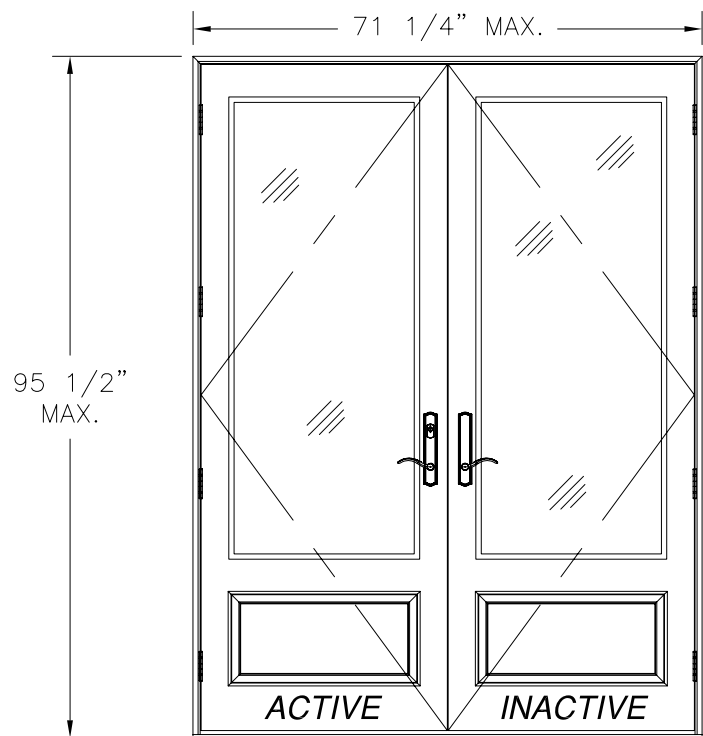
SINGLE
EXTERIOR VIEW



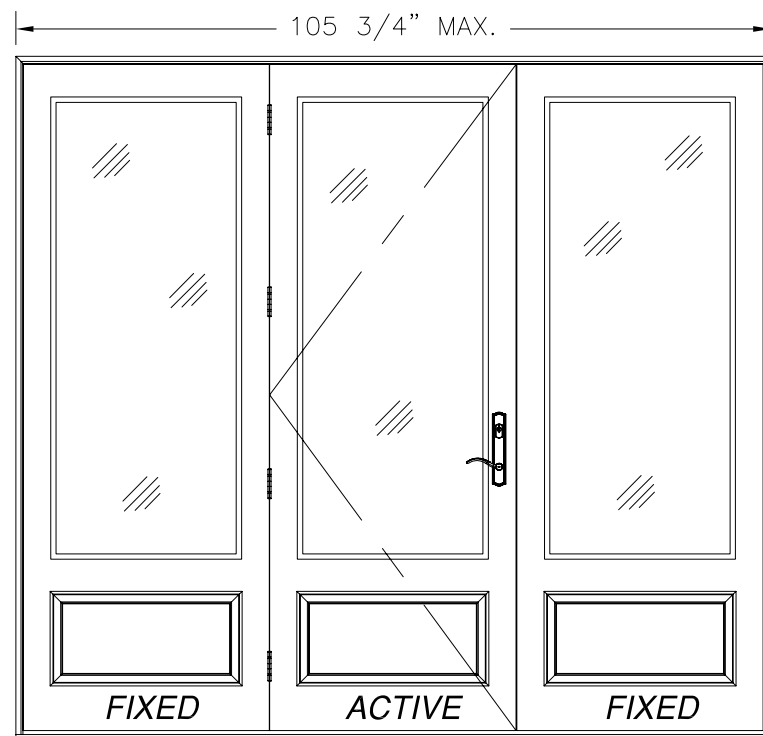
SINGLE W/SIDELITE
EXTERIOR VIEW



SINGLE W/SIDELITE
EXTERIOR VIEW



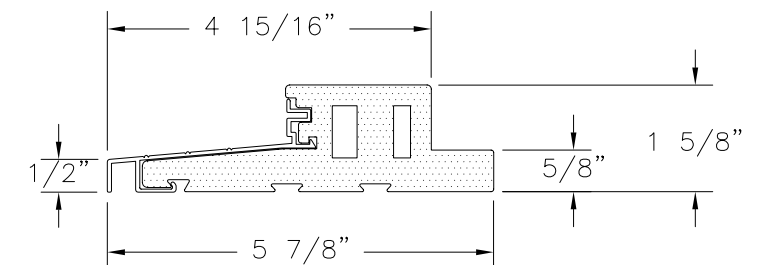
DOUBLE
EXTERIOR VIEW



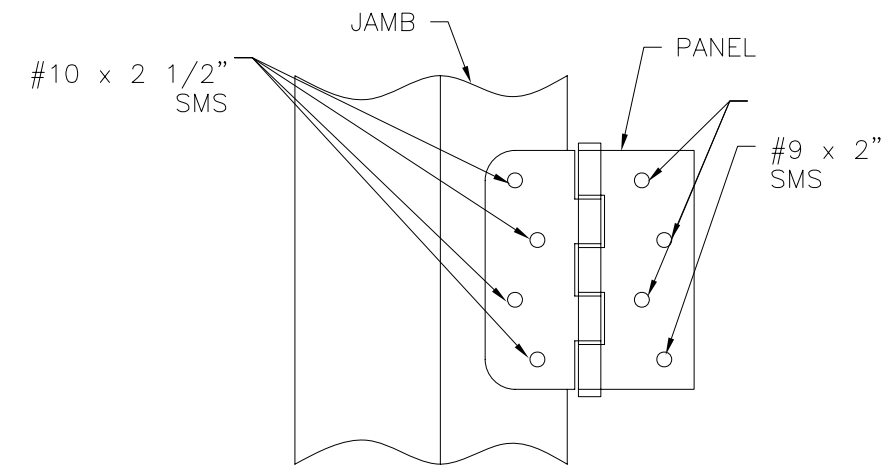
SINGLE W/SIDELITES
EXTERIOR VIEW

REVISIONS			
REV	DESCRIPTION	DATE	APPROVED

A.	3-POINT LOCK HANDLE ASSEMBLY NINGBO MICOTA LOCKS
B.	(4) 4" x 4" BUTT HINGES BY WENZHOU LONGTAI HINGES
C.	EXTRUDED ALUMINUM & PVC FOAM ASTRAGAL BY NAN YA PLASTICS
D.	EXTRUDED ALUMINUM & PVC FOAM MULLION BY NAN YA PLASTICS



OUTSWING DOOR SILL DETAIL



HINGE INSTALLATION DETAIL

NOTE:
ALL APPROVED CONFIGURATIONS ARE SHOWN AS LEFT HAND ACTIVE, RIGHT HAND ACTIVE IS ALSO APPROVED.

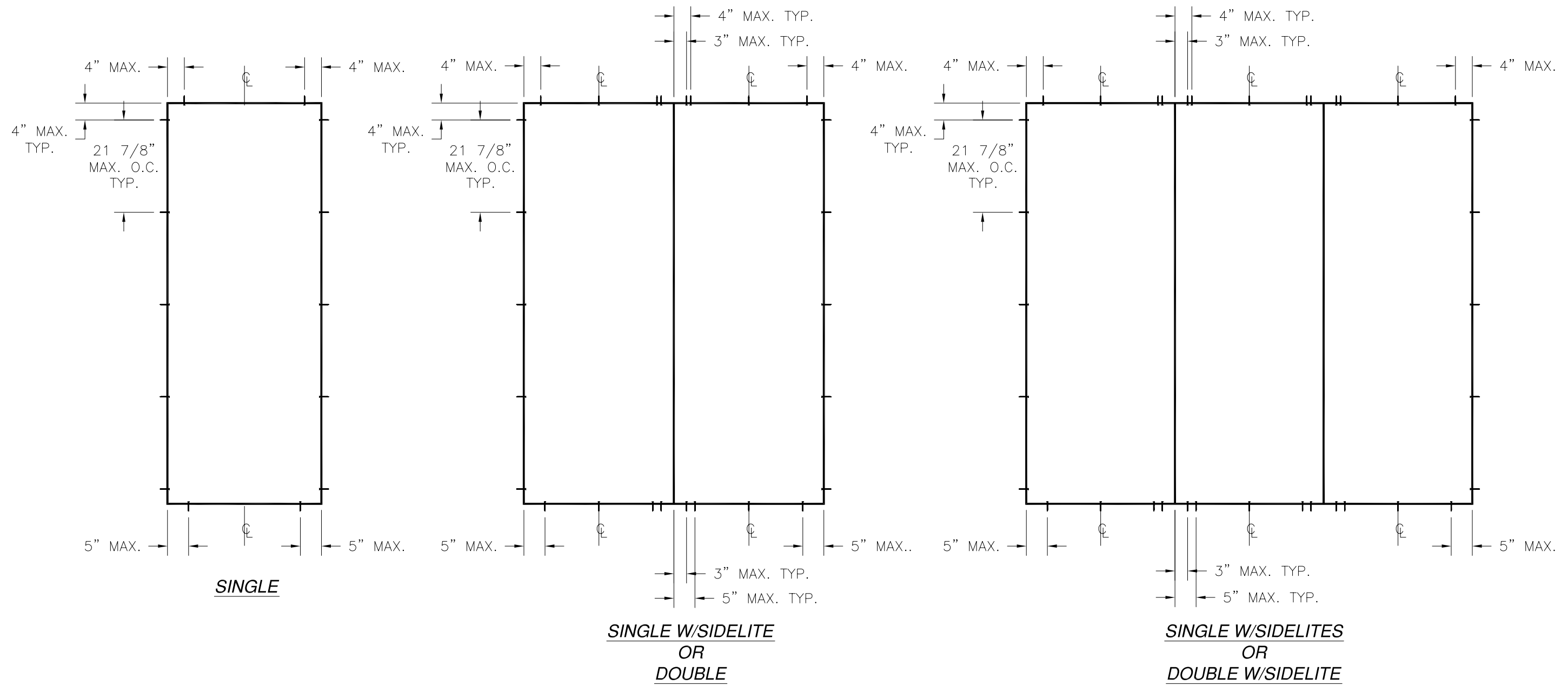
NAN YA PLASTICS CORP. USA
8989 NORTH LOOP EAST
HOUSTON, TX 77029

8' NEUMA OS FIBERGLASS 3/4 LITE PATIO DOOR
WITH AND WITHOUT SIDELITES
ADDITIONAL CONFIGURATIONS AND HARDWARE

DRAWN: TJH	DWG NO. 08-00767	REV -
SCALE NTS	DATE 05/29/09	SHEET 2 OF 5



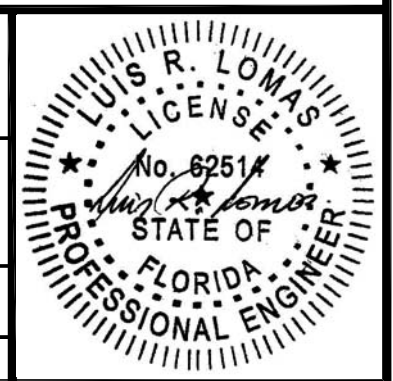
REVISIONS			
REV	DESCRIPTION	DATE	APPROVED



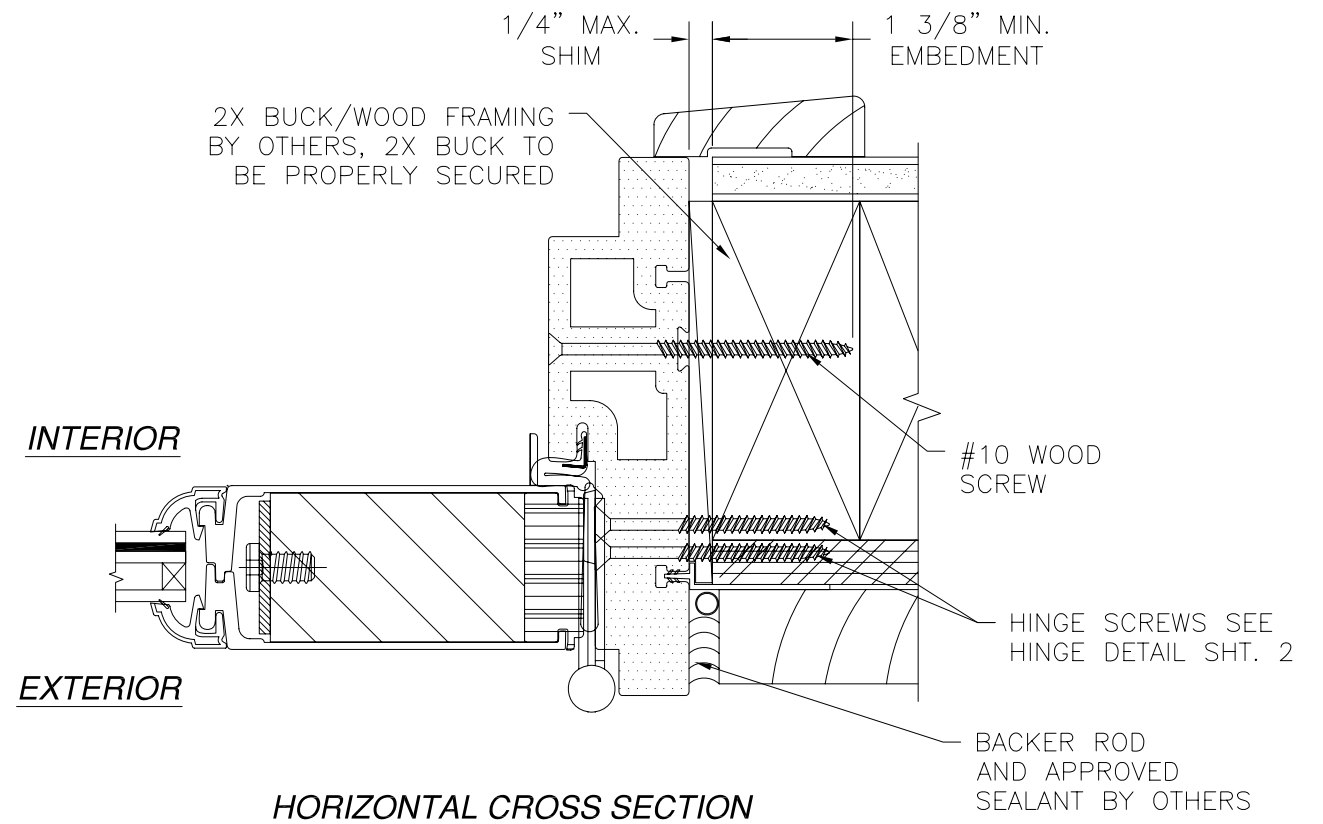
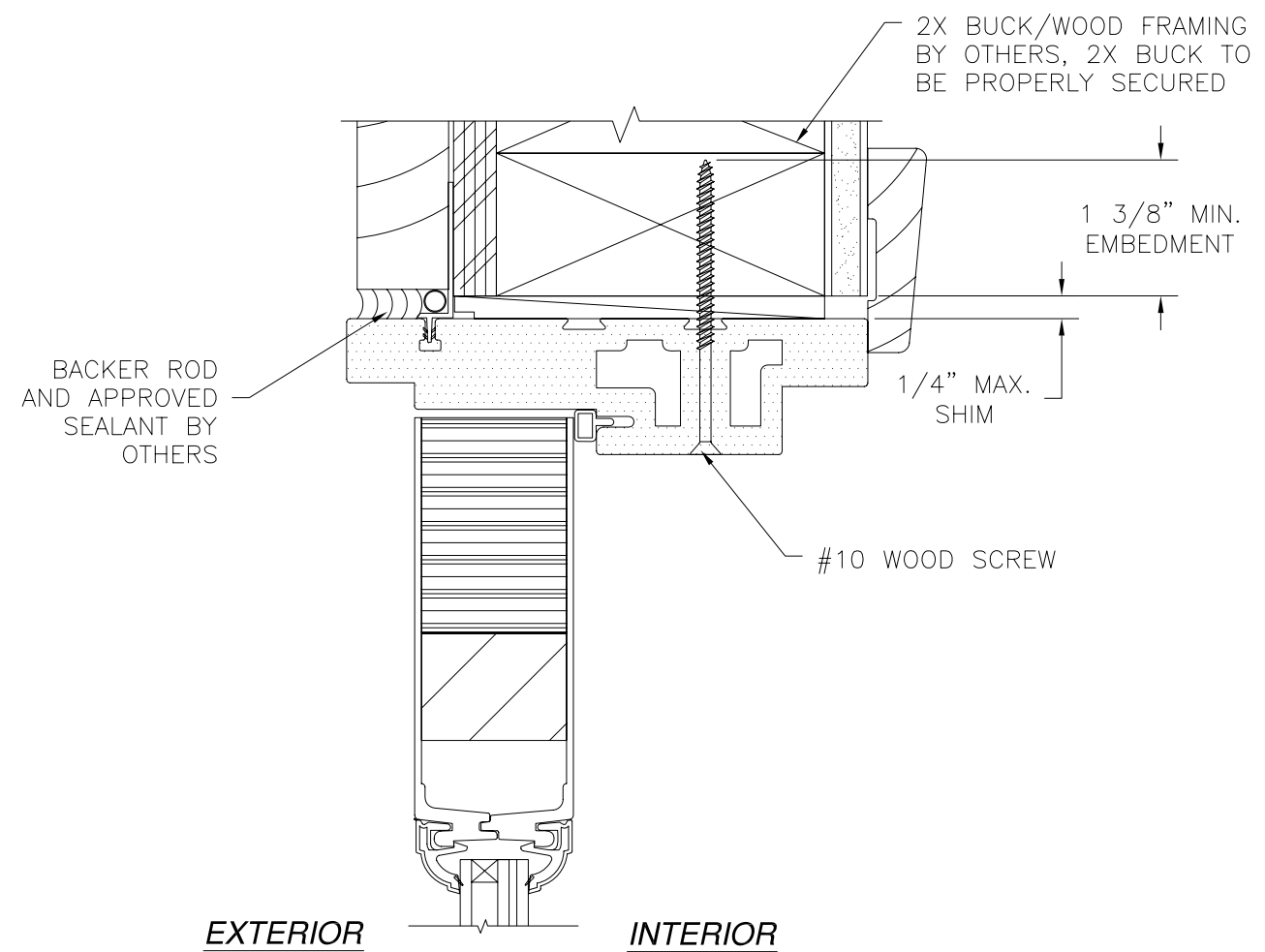
NAN YA PLASTICS CORP. USA
8989 NORTH LOOP EAST
HOUSTON, TX 77029

8' NEUMA OS FIBERGLASS 3/4 LITE PATIO DOOR
WITH AND WITHOUT SIDELITES
ANCHORING LAYOUTS

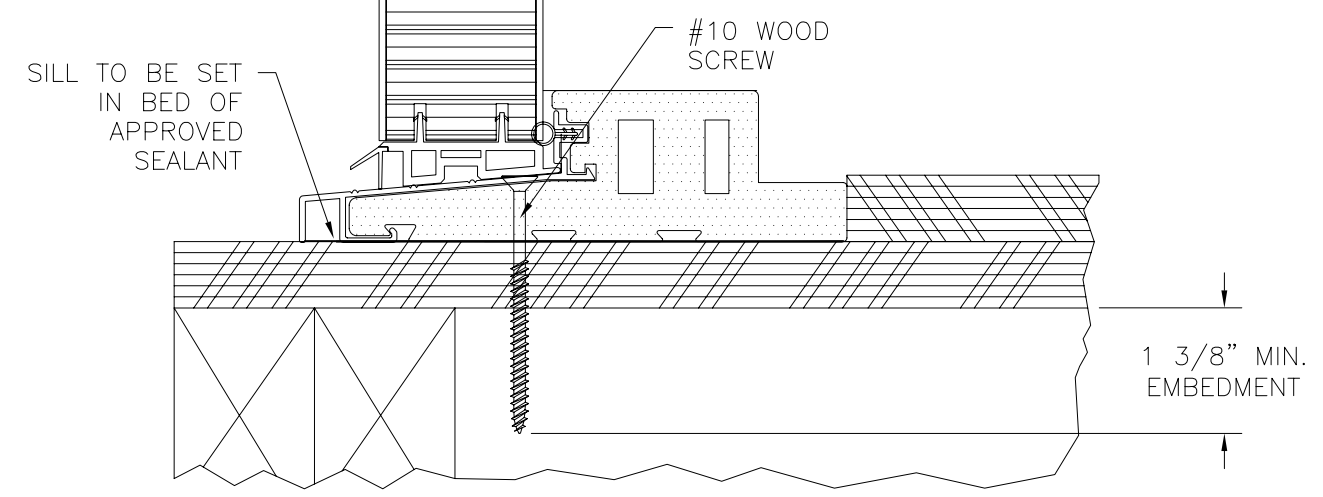
DRAWN: TJH	DWG NO. 08-00767	REV -
SCALE NTS	DATE 05/29/09	SHEET 3 OF 5



REVISIONS			
REV	DESCRIPTION	DATE	APPROVED



**HORIZONTAL CROSS SECTION
HINGE JAMB DETAIL**
2X BUCK/WOOD FRAMING INSTALLATION

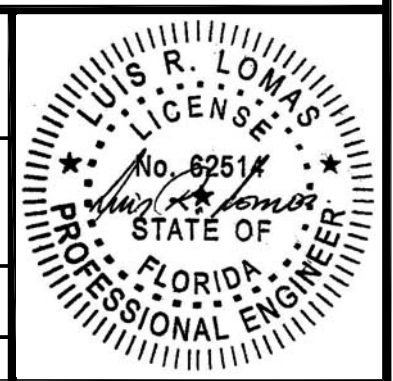


VERTICAL CROSS SECTION
DOOR SHOWN, SIDELITE SIMILAR
2X BUCK/WOOD FRAMING INSTALLATION

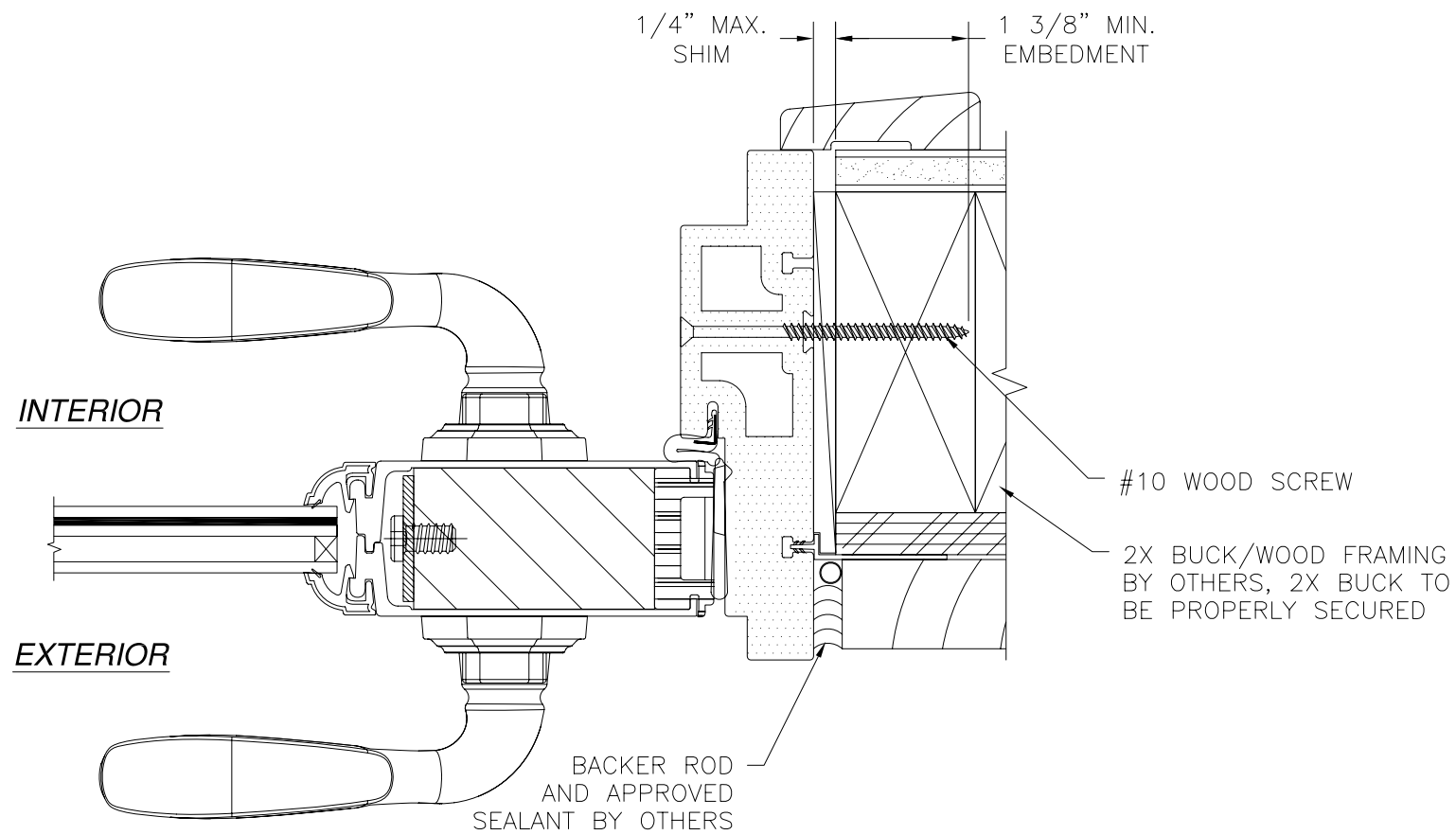
NAN YA PLASTICS CORP. USA
8989 NORTH LOOP EAST
HOUSTON, TX 77029

8' NEUMA OS FIBERGLASS 3/4 LITE PATIO DOOR
WITH AND WITHOUT SIDELITES
INSTALLATION DETAILS

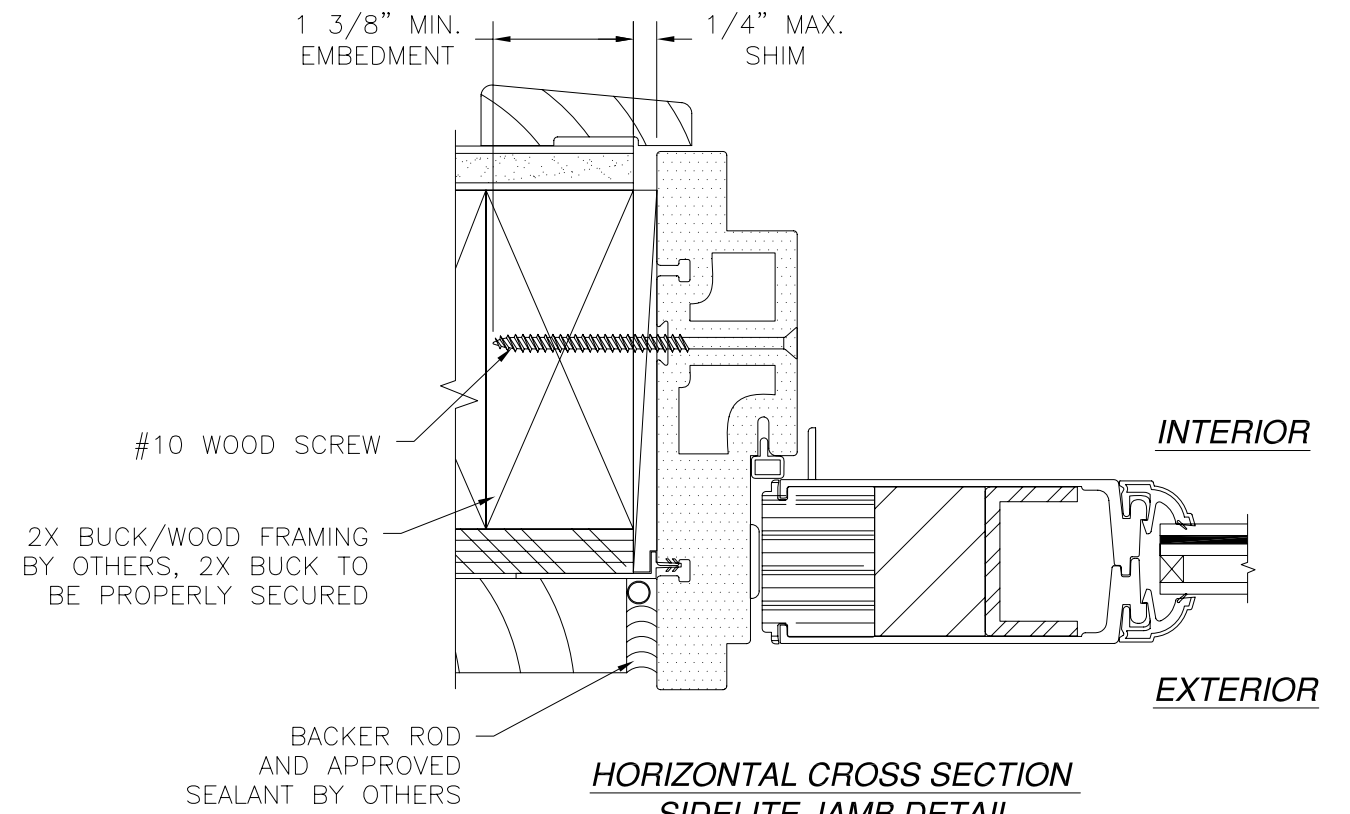
DRAWN: TJH	DWG NO. 08-00767	REV -
SCALE NTS	DATE 05/29/09	SHEET 4 OF 5



REVISIONS			
REV	DESCRIPTION	DATE	APPROVED



**HORIZONTAL CROSS SECTION
STRIKE JAMB DETAIL**
2X BUCK/WOOD FRAMING INSTALLATION



**HORIZONTAL CROSS SECTION
SIDELITE JAMB DETAIL**
2X BUCK/WOOD FRAMING INSTALLATION

NAN YA PLASTICS CORP. USA
8989 NORTH LOOP EAST
HOUSTON, TX 77029

8' NEUMA OS FIBERGLASS 3/4 LITE PATIO DOOR
WITH AND WITHOUT SIDELITES
INSTALLATION DETAILS

DRAWN: TJH	DWG NO. 08-00767	REV -
SCALE NTS	DATE 05/29/09	SHEET 5 OF 5

