

**Florida Building Code Product Approval**  
**FL14752.5-R3 Non-Impact 12'0" x 6'11/6'8 Inswing, Full Lite DP50**

FL #	FL14752-R3						
Application Type	Revision						
Code Version	2010						
Application Status	Approved						
	*Approved by DBPR. Approvals by DBPR shall be reviewed and ratified by the POC and/or the Commission if necessary.						
Comments							
Archived	<input type="checkbox"/>						
Product Manufacturer	Nan Ya Plastics Corporation USA						
Address/Phone/Email	8989 North Loop East Houston, TX 77029 (713) 674-7822 Ext 105 ajen96@yahoo.com.tw						
Authorized Signature	RUSKIN WU ajen96@yahoo.com.tw						
Technical Representative	Ruskin Wu						
Address/Phone/Email	8989 North Loop East Houston, TX 77029-1217 (713) 674-7822 Ext 105 ajen96@yahoo.com.tw						
Quality Assurance Representative							
Address/Phone/Email							
Category	Exterior Doors						
Subcategory	Swinging Exterior Door Assemblies						
Compliance Method	Certification Mark or Listing						
Certification Agency	National Accreditation & Management Institute						
Validated By	National Accreditation & Management Institute,						
Referenced Standard and Year (of Standard)	<table border="0"> <thead> <tr> <th><u>Standard</u></th> <th><u>Year</u></th> </tr> </thead> <tbody> <tr> <td>AAMA/NWWDA 101/I.S.2</td> <td>1997</td> </tr> <tr> <td>AAMA/WDMA</td> <td>2002</td> </tr> </tbody> </table>	<u>Standard</u>	<u>Year</u>	AAMA/NWWDA 101/I.S.2	1997	AAMA/WDMA	2002
<u>Standard</u>	<u>Year</u>						
AAMA/NWWDA 101/I.S.2	1997						
AAMA/WDMA	2002						

**Florida Building Code Product Approval**  
**FL14752.5-R3 Non-Impact 12'0" x 6'11/6'8 Inswing, Full Lite DP50**

	101/I.S.2/NAFS AAMA/WDMA/CSA 101/I.S.2/A440 ASTM E1886 ASTM E1886 ASTM E1996 ASTM E1996 ASTM E1996 ASTM E330	2008 2005 2002 2002 2005 2006 2002
Equivalence of Product Standards Certified By		
Product Approval Method	Method 1 Option A	
Date Submitted	10/22/2014	
Date Validated	11/24/2014	
Date Pending FBC Approval		
Date Approved	11/25/2014	

14752.5	IN-SWING ENTRANCE DOOR	IN-SWING ENTRANCE DOOR WITH AND WITHOUT SIDELITES - SLPS NON-IMPACT, FIBERGLASS CLAD
<b>Limits of Use</b> <b>Approved for use in HVHZ:</b> No <b>Approved for use outside HVHZ:</b> Yes <b>Impact Resistant:</b> No <b>Design Pressure:</b> +60/-60 <b>Other:</b> UNITS GLAZED WITH SAFETY GLASS PER ASTM E1300-04.		<b>Certification Agency Certificate</b> <a href="#">FL14752_R3_C_CAC_NI011058.01.pdf</a> <b>Quality Assurance Contract</b> <b>Expiration Date</b> 04/30/2015 <b>Installation Instructions</b> <a href="#">FL14752_R3_II_08-01889A.pdf</a> Verified By: Luis Roberto Lomas 62514 Created by Independent Third Party: Yes <b>Evaluation Reports</b> <a href="#">FL14752_R3_AE_512581B.pdf</a> Created by Independent Third Party: Yes

# NOTICE OF PRODUCT CERTIFICATION



**CERTIFICATION NO:** NI011058.01  
**DATE:** 01/16/2013  
**CERTIFICATION PROGRAM:** Structural  
**COMPANY:** Nan Ya  
**CODE:** 661-1

To verify that the "Notice of Product Certification" is valid, please visit [www.NAMICertification.com](http://www.NAMICertification.com) to assure that the product is active and currently listed. This certification represents product conformity to the applicable specification and that certification criteria has been satisfied. A NAMI approved certification label must be applied to the product to claim certification status. Please review and advise NAMI if any corrections are required to this document.

COMPANY NAME AND ADDRESS	PRODUCT DESCRIPTION
<p><b>Nan Ya Plastics Corporation USA</b>  <b>8989 North Loop East, Suite 800</b>  <b>Houston, TX 77029</b></p>	<p style="text-align: center;"><b>Series "In-Swing Entrance Door with Sidelites" Fiberglass In-Swing Side Hinged Double Door w/Sidelites</b></p> <p style="text-align: center;">Configuration: OXXO</p> <p style="text-align: center;">Glazing: Insulating Glass(Tempered &amp; Annealed)</p> <p>Frame:    W-3703mm(145.75)    H-2096mm(82.50")</p> <p>Panel:     W-876mm(34.50")     H-2008mm(79.07")</p> <p>Sidelite: W-876mm(34.50")    H-2008mm(79.07")</p> <p>DLO:      W-635mm(25.00")    H-1601mm(63.00")</p>

SPECIFICATION	PRODUCT RATING
<p><b>AAMA/WDMA/CSA 101/I.S.2/A440-05</b></p>	<p><b>Class R-PG60 3639 x 2096 (144 x 83)-LW SHD</b>  <b>Design Pressure = 2872 Pa (60 psf)</b>  <b>Positive Design Pressure = 2872 Pa (60 psf)</b>  <b>Negative Design Pressure = 2872 Pa (60 psf)</b>  <b>Water Penetration Resistance Test Pressure = 287 Pa (6.00 psf)</b>  <b>Qualifies Configurations: O/X/OX/XO/OXX/XXO/OXO/OXXO</b></p>

Product Tested By: Fenestration Testing Laboratory, Inc.  
 Report No: FTL 6719/W-1549  
 Expiration Date: **April 30, 2015**

A handwritten signature in black ink, appearing to be 'Shu' or similar, written over a horizontal line.

Administrator's Signature: \_\_\_\_\_

**NATIONAL ACCREDITATION AND  
 MANAGEMENT INSTITUTE, INC.**  
 4794 George Washington Memorial Highway  
 Hayes, VA 23072  
 Tel: (804) 684-5124/ Fax: (804) 684-5122

*L. Roberto Lomas P.E.*

233 W. Main St.  
Danville, VA 24541  
434-688-0609  
rlomas@lrlomaspe.com

## Engineering Evaluation Report

Report No.: 512581B

**Manufacturer:** Nan Ya Plastics Corp. USA  
8989 North Loop East  
Houston, TX 77029

**Product Line:** In-Swing Entrance Door (SLPS) Non-Impact with and without Sidelites, Fiberglass Clad

**Compliance:**

The above mentioned product has been evaluated for compliance with the requirements of the Florida Department of Business and Professional Regulation for Statewide Acceptance per Rule 61G20-3.005 method 1(a). The product listed herein complies with requirements of the Florida Building Code.

**Supporting Technical Documentation:**

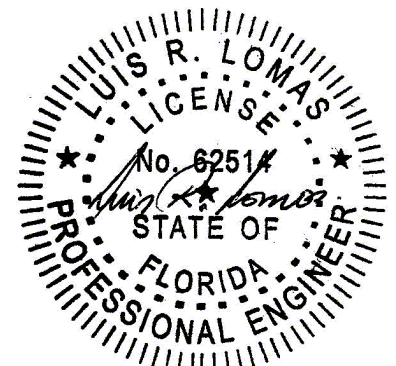
1. Approval document: drawing number 08-01889 Revision A, prepared, signed and sealed by Luis Roberto Lomas P.E.
2. Report No.: FTL 6719 signed and sealed by Marlin D. Brinson P.E.  
Fenestration Testing Laboratory, Inc. Medley, FL  
AAMA/WDMA/CSA101/I.S.2/A440-05  
Design pressure: ±60.0psf  
Water penetration resistance 6.0psf
3. Anchor calculations, report number 512581-1, prepared, signed and sealed by Luis Roberto Lomas P.E.

**Limitations and Conditions of use:**

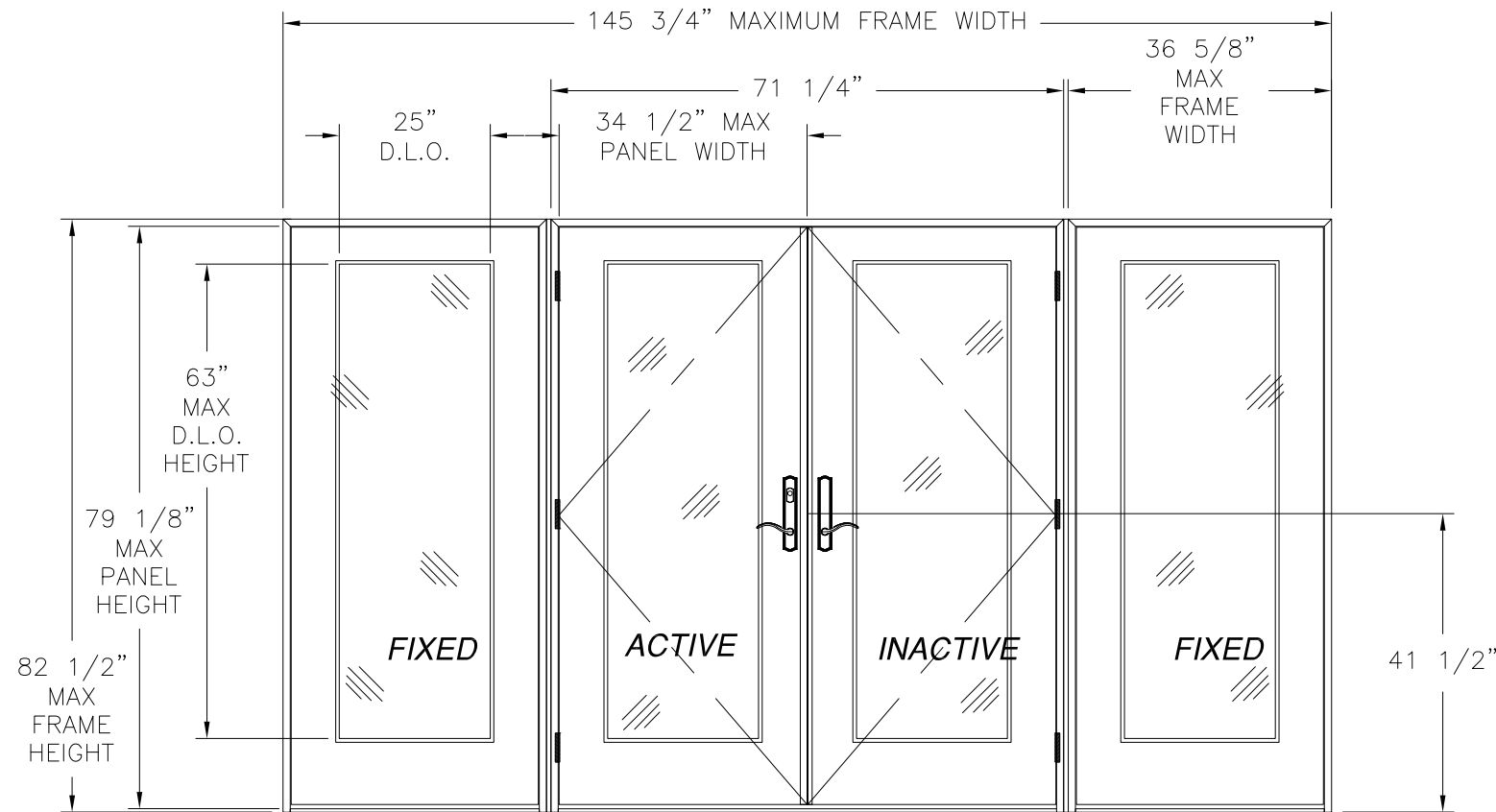
- Maximum design pressure: ±60.0psf (where water infiltration is not required)  
+40.0/-60.0 (where water infiltration is required)
- Maximum unit size: 145 3/4" x 82 1/2"
- Units must be glazed per ASTM E1300-04, refer to approval document for glass type.
- This product is not rated to be used in the HVHZ.
- This product is not impact resistant and requires impact protection in wind borne debris regions.
- Frame material to be CO-Extruded PVC Foam.

**Installation:** Units must be installed in accordance with approval document, 08-01889 Revision A.

**Certification of Independence:** Please note that I don't have nor will acquire a financial interest in any company manufacturing or distributing the product(s) for which this report is being issued. Also, I don't have nor will acquire a financial interest in any other entity involved in the approval process of the listed product(s).



REVISIONS			
REV	DESCRIPTION	DATE	APPROVED
A	ADDED EDGE DISTANCES	11/05/14	R.L.



NOTES:

1. THE PRODUCT SHOWN HEREIN IS DESIGNED AND MANUFACTURED TO COMPLY WITH REQUIREMENTS OF THE FLORIDA BUILDING CODE.
2. WOOD FRAMING AND MASONRY OPENING TO BE DESIGNED AND ANCHORED TO PROPERLY TRANSFER ALL LOADS TO STRUCTURE. FRAMING AND MASONRY OPENING IS THE RESPONSIBILITY OF THE ARCHITECT OR ENGINEER OF RECORD.
3. 1X BUCK OVER MASONRY/CONCRETE IS OPTIONAL. WHERE 1X BUCK IS NOT USED DISSIMILAR MATERIALS MUST BE SEPARATED WITH APPROVED COATING OR MEMBRANE. SELECTION OF COATING OR MEMBRANE IS THE RESPONSIBILITY OF THE ARCHITECT OR ENGINEER OF RECORD.
4. UNITS MUST BE GLAZED PER ASTM E1300-04, SEE SHEET 5 FOR GLASS OPTIONS.
5. APPROVED IMPACT PROTECTIVE SYSTEM IS REQUIRED FOR THIS PRODUCT IN WIND BORNE DEBRIS REGIONS.
6. FRAME JAMB AND HEAD MATERIAL: CO-EXTRUDED PVC FOAM 1 1/2" THICK.
7. FRAME SILL MATERIAL: CO-EXTRUDED PVC FOAM 2" THICK WITH ALUMINUM CLADDING .063" THICK.
8. DOOR PANEL AND SIDELITE MATERIAL: .075" THICK FIBERGLASS SKIN WITH PVC FOAM TOP AND BOTTOM RAILS, AND PVC FOAM VERTICAL STILES WITH PINE REINFORCEMENTS AND POLYURETHANE FOAM CORE.
9. APPROVED CONFIGURATIONS: O, X, OX, XO, XX, OXO, XXO, OXX AND OXXO. SEE SHEET 2.
10. HINGES LOCATED AT 8 3/4", 39 1/2", AND 71 3/8" FROM TOP OF PANEL

**IN-SWING ENTRANCE DOOR**  
**DOUBLE DOOR W/ SIDELITES (SLPS)**  
 EXTERIOR VIEW

DESIGN PRESSURE RATING		IMPACT RATING
+40.0/-60.0	±60PSF	NONE
WHERE WATER REQUIREMENT IS NEEDED	WHERE WATER REQUIREMENT IS NOT NEEDED	

SIGNED: 11/05/2014

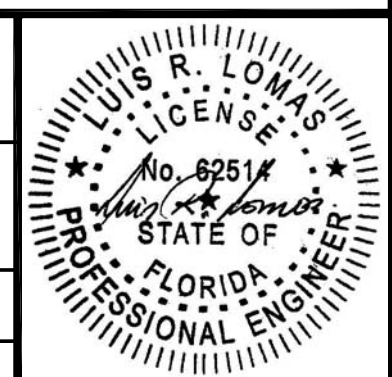
TABLE OF CONTENTS	
SHEET NO.	DESCRIPTION
1	ELEVATION AND NOTES
2	ADDITIONAL CONFIGURATIONS AND HARDWARE
3 - 4	ANCHORING LAYOUTS
5 - 8	INSTALLATION DETAILS

NAN YA PLASTICS CORP. USA  
 8989 NORTH LOOP EAST  
 HOUSTON, TX 77029

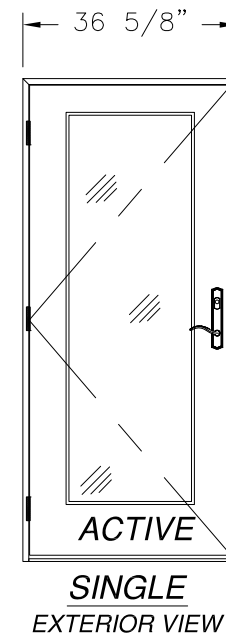
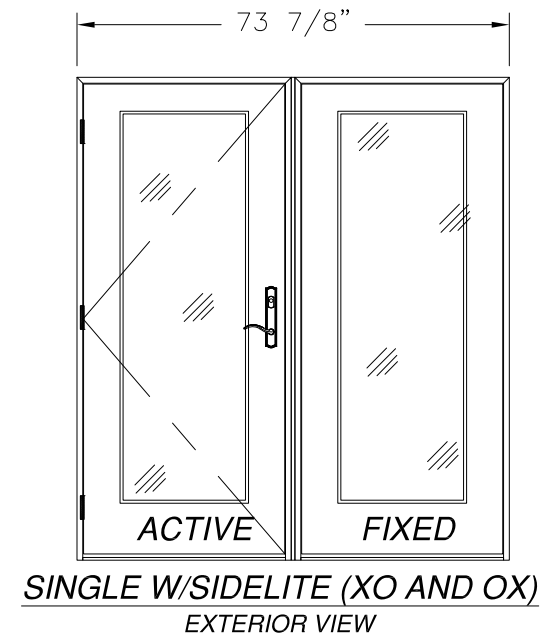
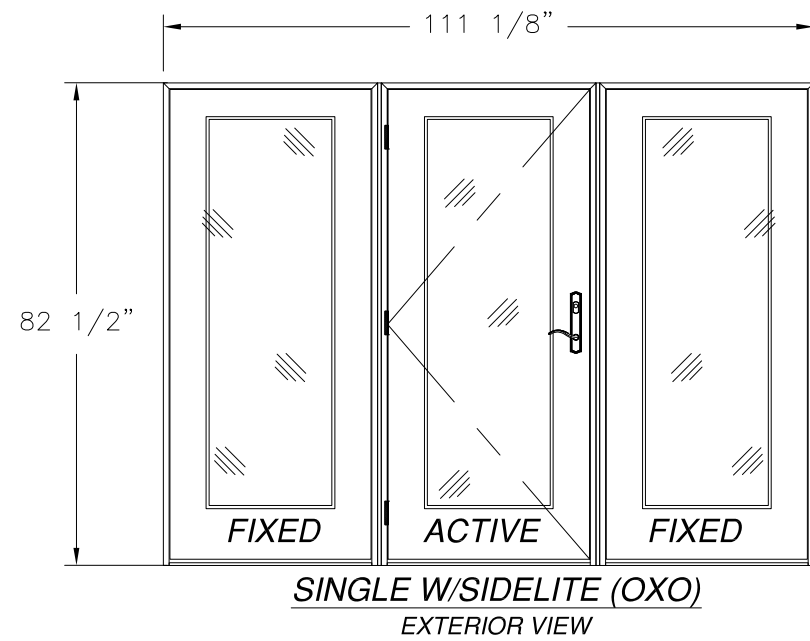
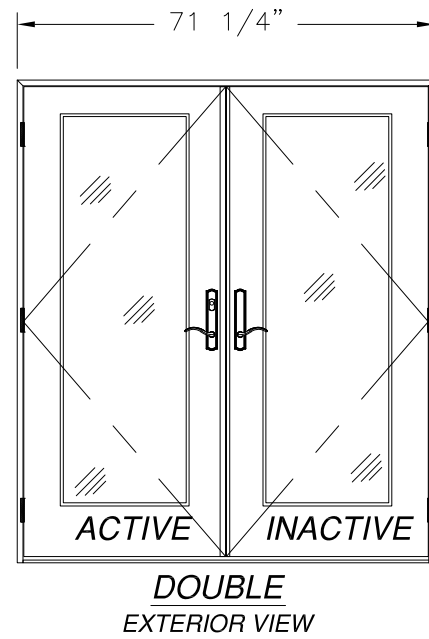
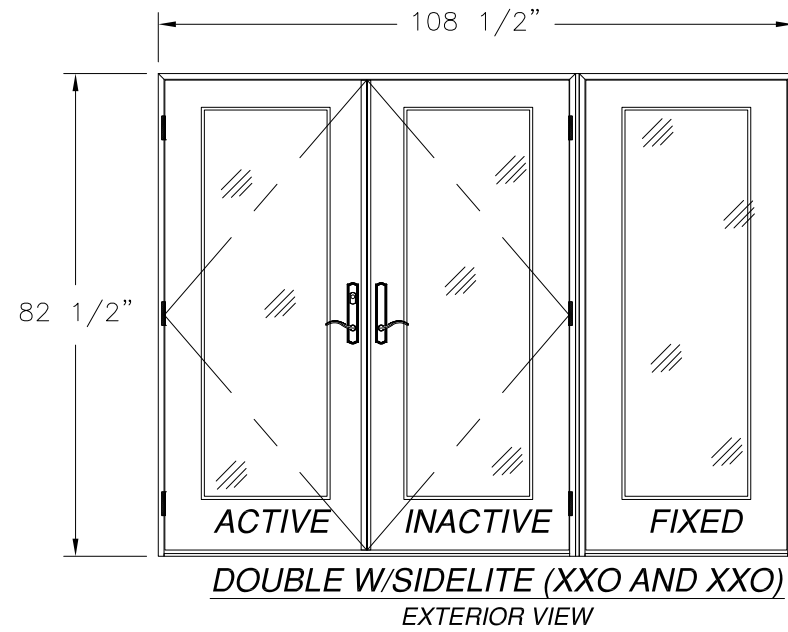
IN-SWING ENTRANCE DOOR W/ SIDELITES (SLPS)  
 FIBERGLASS NON-IMPACT GLAZED  
 OXXO ELEVATION AND NOTES

DRAWN: V.L.      DWG NO. 08-01889      REV A

SCALE NTS      DATE 01/07/13      SHEET 1 OF 8



REVISIONS			
REV	DESCRIPTION	DATE	APPROVED
A	ADDED EDGE DISTANCES	11/05/14	R.L.



NOTE:  
ALL APPROVED CONFIGURATIONS ARE SHOWN AS LEFT HAND ACTIVE, RIGHT HAND ACTIVE IS ALSO APPROVED.

HARDWARE SCHEDULE	
A.	2 POINT LOCK BY NINGBO MICOTA (INACTIVE PANEL)
B.	3 POINT LOCK BY NINGBO MICOTA (ACTIVE PANEL)
C.	(4) 4"x4" BUTT HINGES BY WENZHOU LONGTAI (PER PANEL)
D.	ALUMINUM & PVC FOAM ASTRAGAL BY NAN YA PLASTICS
E.	ALUMINUM & PVC FOAM MULLION BY NAN YA PLASTICS

**NAN YA PLASTICS CORP. USA**  
8989 NORTH LOOP EAST  
HOUSTON, TX 77029

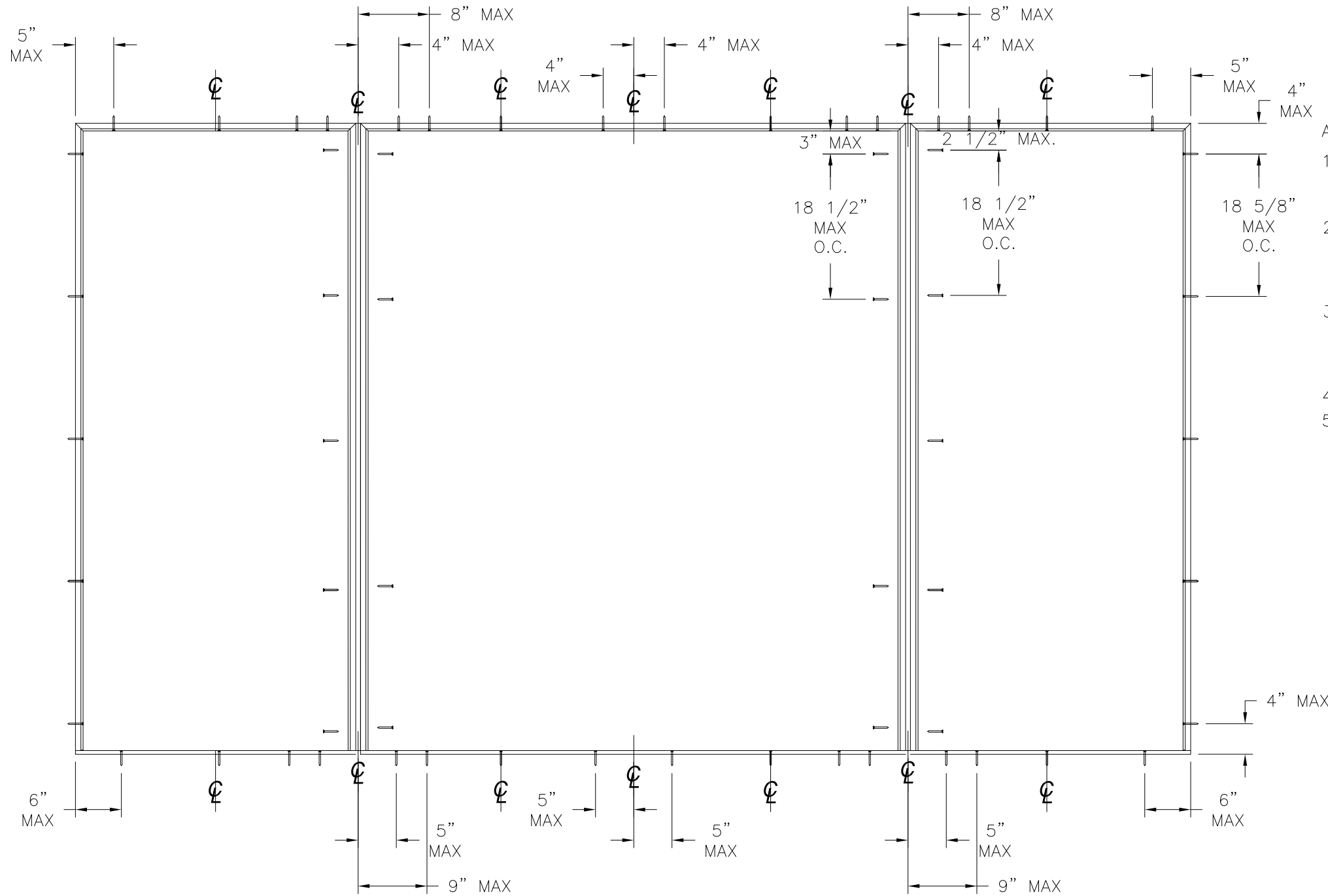
IN-SWING ENTRANCE DOOR W/ SIDELITES (SLPS)  
FIBERGLASS NON-IMPACT GLAZED  
ADDITIONAL CONFIGURATIONS AND HARDWARE

DRAWN: V.L.	DWG NO. 08-01889	REV A
SCALE NTS	DATE 01/07/13	SHEET 2 OF 8

SIGNED: 11/05/2014



REVISIONS			
REV	DESCRIPTION	DATE	APPROVED
A	ADDED EDGE DISTANCES	11/05/14	R.L.



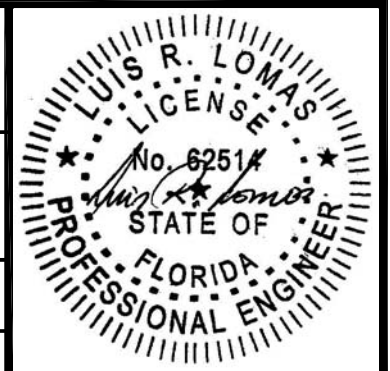
ANCHORING LAYOUT

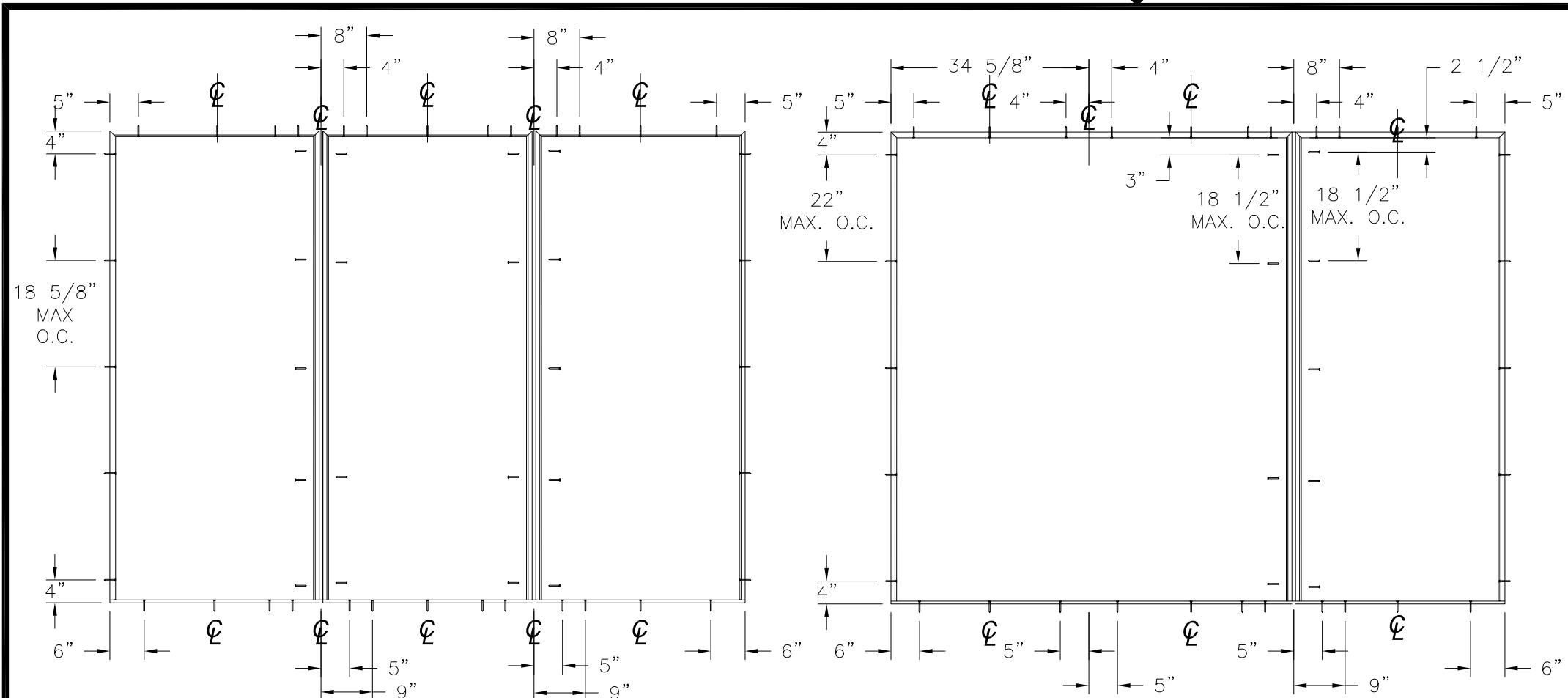
ANCHORING NOTES:

- 1) SHIM AS REQUIRED AT EACH INSTALLATION ANCHOR WITH LOAD BEARING SHIM. SHIM WHERE SPACE OF 1/16" OR GREATER OCCURS. MAXIMUM ALLOWABLE SHIM STACK TO BE 1/4".
- 2) FOR ANCHORING INTO MASONRY/CONCRETE USE 3/16" TAPCON OF SUFFICIENT LENGTH TO ACHIEVE A 1 1/4" MINIMUM EMBEDMENT INTO SUBSTRATE. LOCATE ANCHORS AS SHOWN IN ANCHORING LAYOUT AND INSTALLATION DETAILS.
- 3) FOR ANCHORING INTO 2X BUCK OR WOOD FRAMING USE #10 WOOD SCREW OF SUFFICIENT LENGTH TO ACHIEVE A 1 3/8" MINIMUM EMBEDMENT INTO SUBSTRATE. LOCATE ANCHORS AS SHOWN IN ANCHORING LAYOUT AND INSTALLATION DETAILS.
- 4) ALL FASTENERS TO BE CORROSION RESISTANT.
- 5) INSTALLATION ANCHORS SHALL BE INSTALLED IN ACCORDANCE WITH ANCHOR MANUFACTURER'S INSTALLATION INSTRUCTIONS, AND ANCHORS SHALL NOT BE USED IN SUBSTRATES WITH STRENGTHS LESS THAN THE MINIMUM STRENGTH SPECIFIED BELOW:
  - A. WOOD – MINIMUM SPECIFIC GRAVITY OF G=0.42
  - B. CONCRETE – MINIMUM COMPRESSIVE STRENGTH OF 3,200 PSI.
  - C. MASONRY – STRENGTH CONFORMANCE TO ASTM C-90, GRADE N, TYPE 1 (OR GREATER).

SIGNED: 11/05/2014

NAN YA PLASTICS CORP. USA 8989 NORTH LOOP EAST HOUSTON, TX 77029		
IN-SWING ENTRANCE DOOR W/ SIDELITES (SLPS) FIBERGLASS NON-IMPACT GLAZED ANCHORING LAYOUTS		
DRAWN: V.L.	DWG NO. 08-01889	REV A
SCALE NTS	DATE 01/07/13	SHEET 3 OF 8

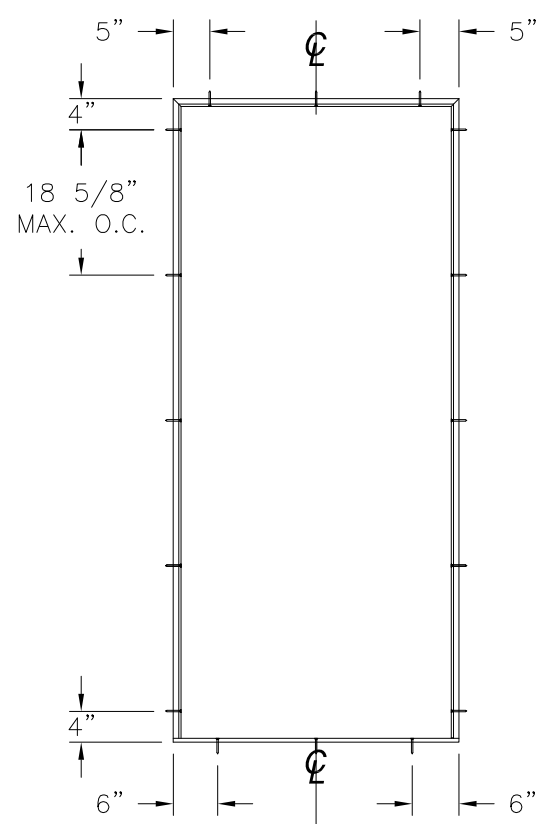




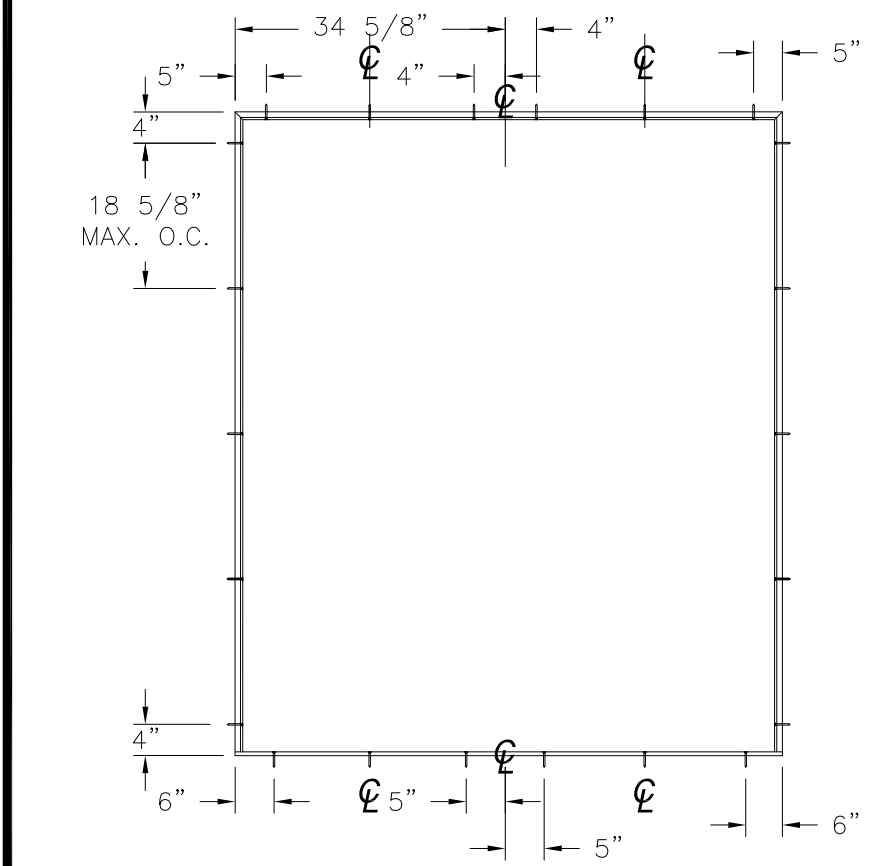
**ANCHORING LAYOUT FOR OXO**

**ANCHORING LAYOUT FOR XXO AND OXX**

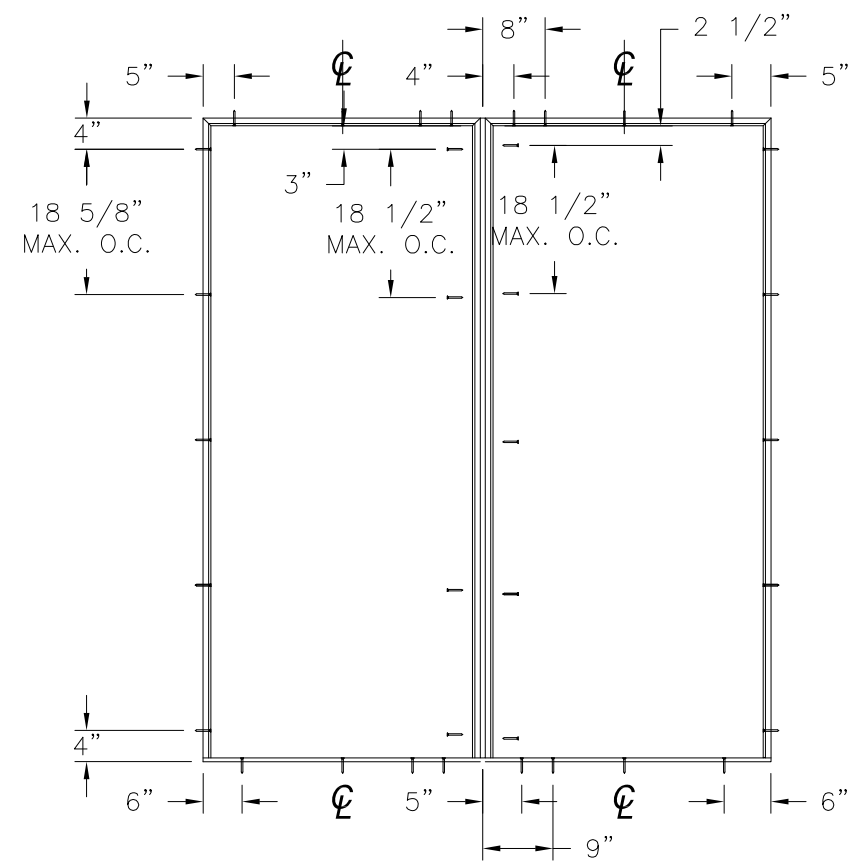
REVISIONS			
REV	DESCRIPTION	DATE	APPROVED
A	ADDED EDGE DISTANCES	11/05/14	R.L.



**ANCHORING LAYOUT FOR X**



**ANCHORING LAYOUT FOR XX**



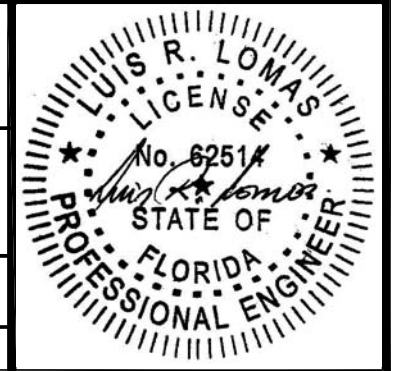
**ANCHORING LAYOUT FOR OX AND XO**

**NAN YA PLASTICS CORP. USA**  
 8989 NORTH LOOP EAST  
 HOUSTON, TX 77029

IN-SWING ENTRANCE DOOR W/ SIDELITES (SLPS)  
 FIBERGLASS NON-IMPACT GLAZED  
 ANCHORING LAYOUTS

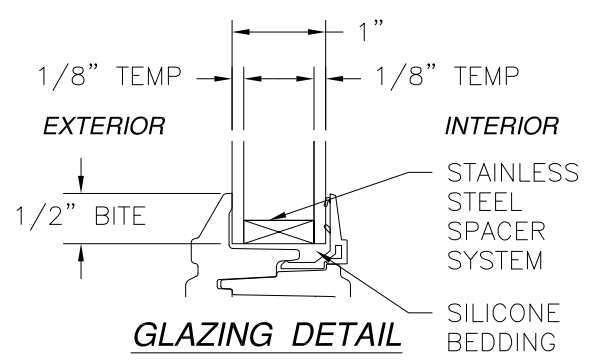
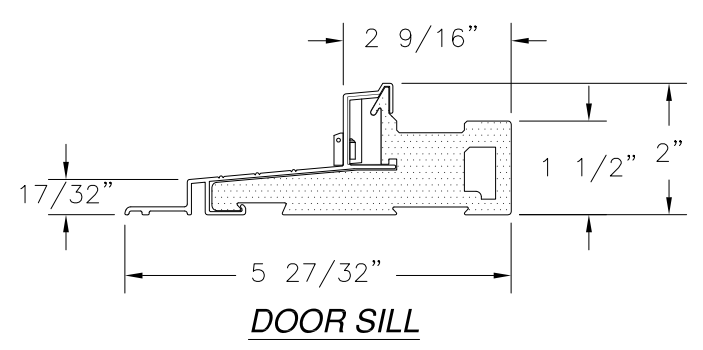
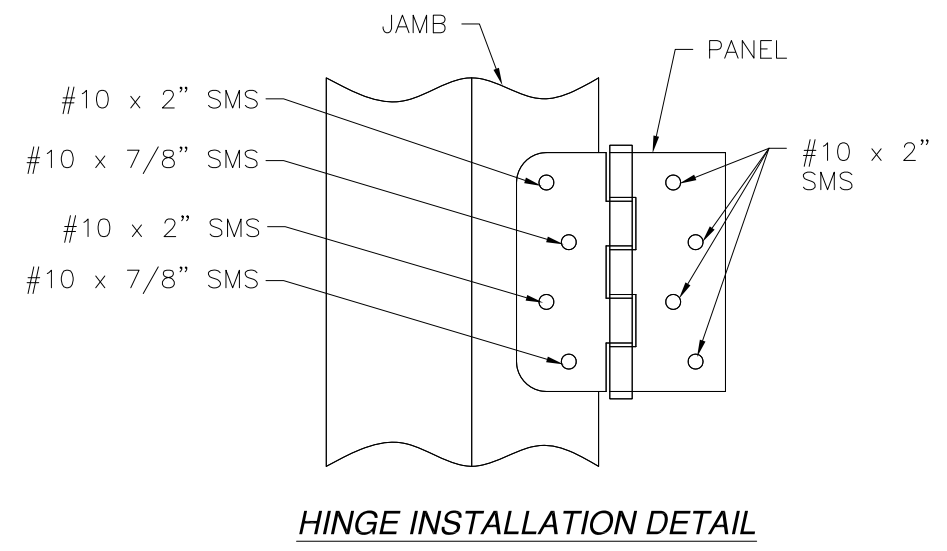
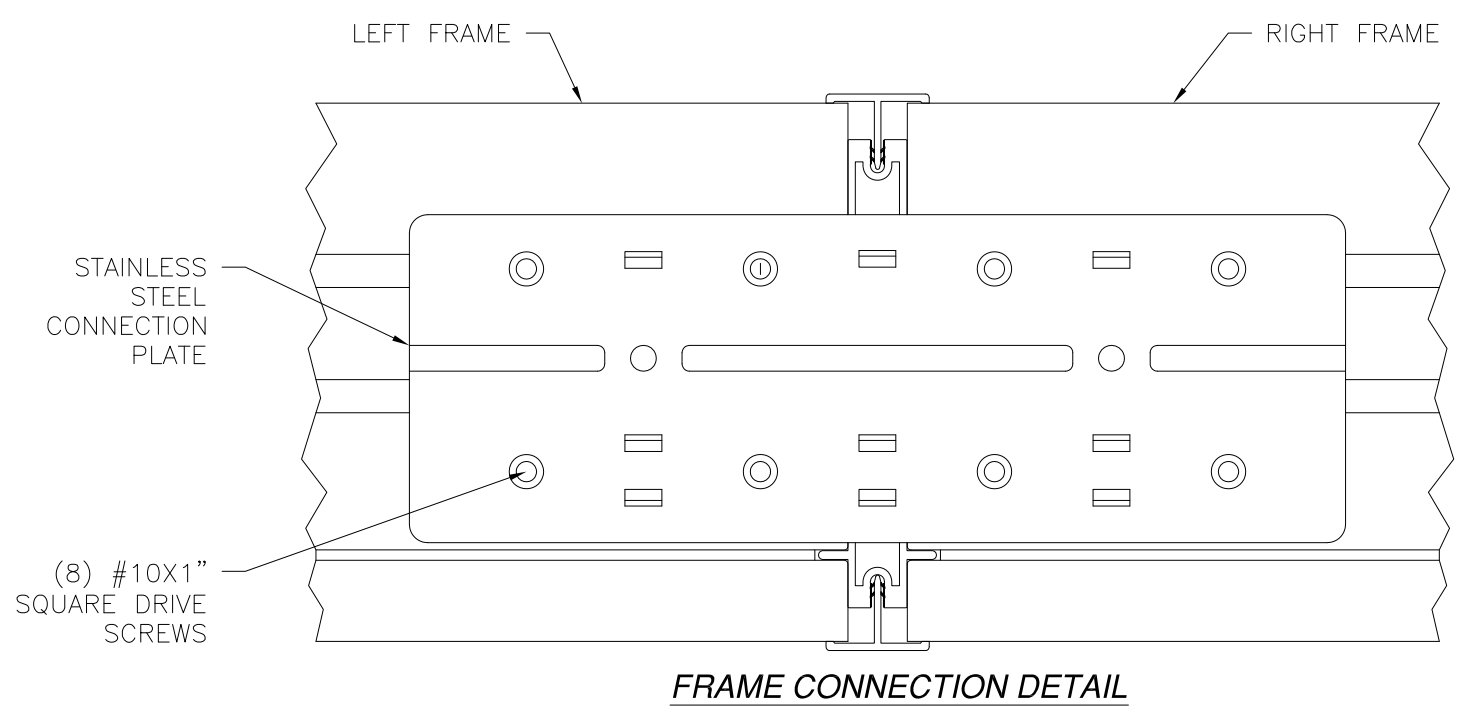
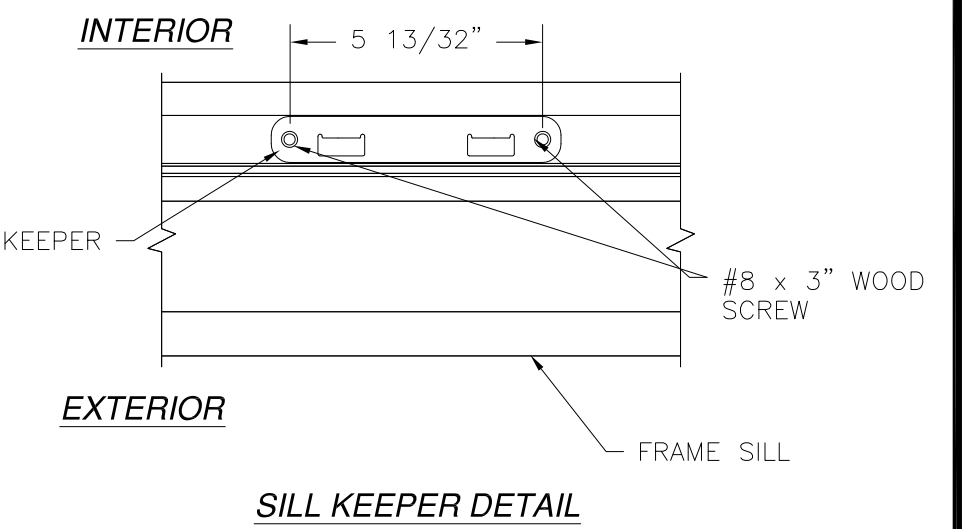
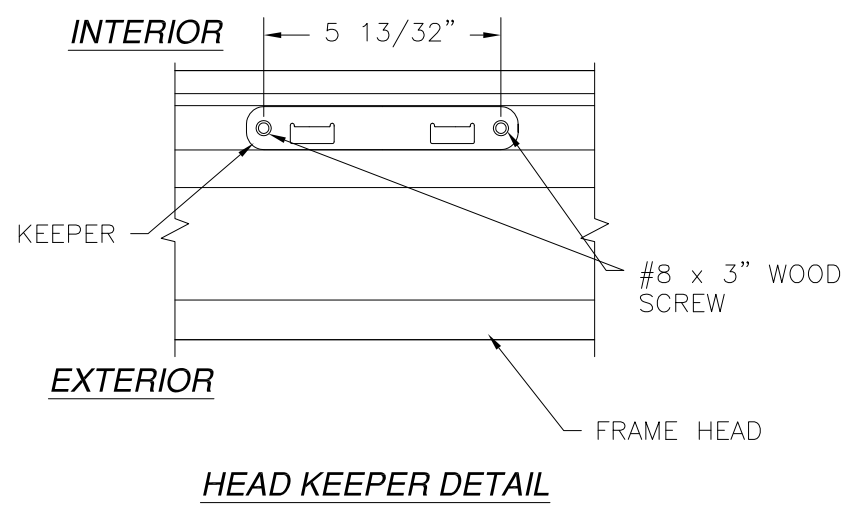
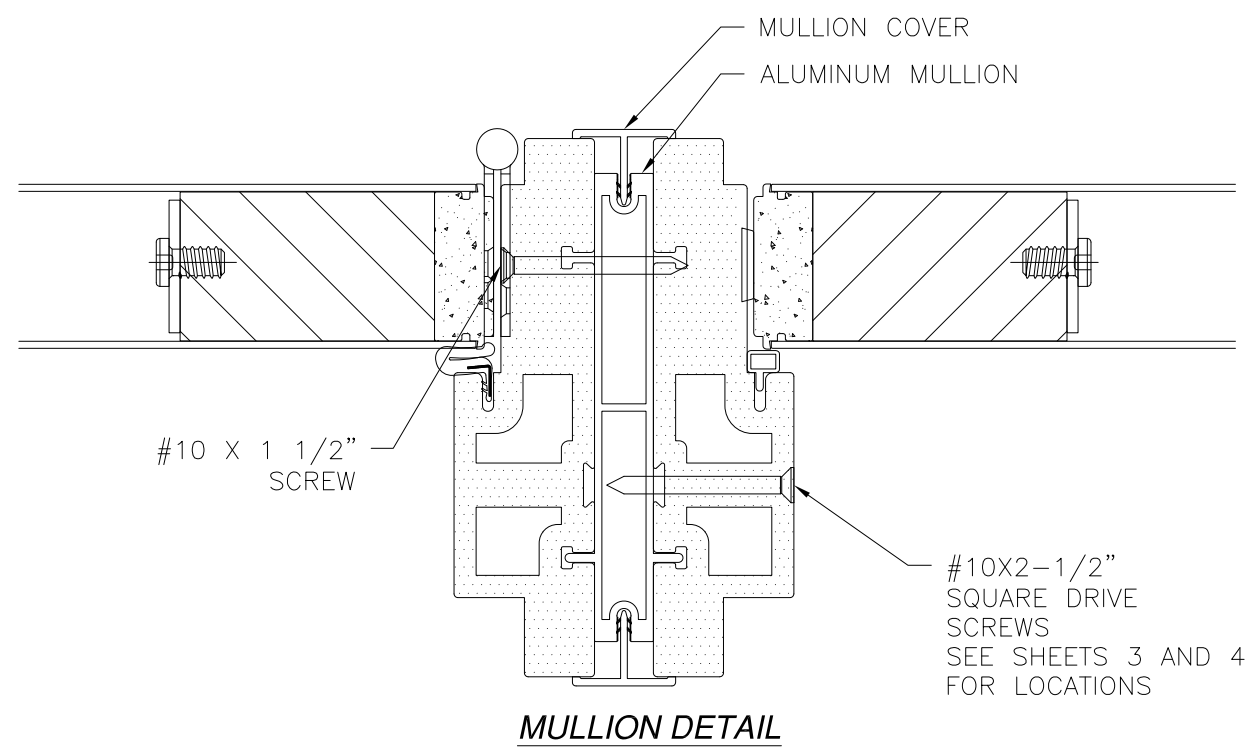
DRAWN: V.L. DWG NO. 08-01889 REV A  
 SCALE NTS DATE 01/07/13 SHEET 4 OF 8

SIGNED: 11/05/2014





REVISIONS			
REV	DESCRIPTION	DATE	APPROVED
A	ADDED EDGE DISTANCES	11/05/14	R.L.



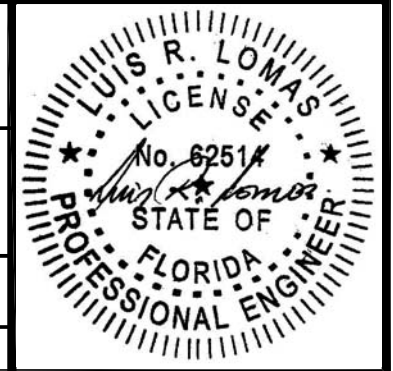
SIGNED: 11/05/2014

**NAN YA PLASTICS CORP. USA**  
8989 NORTH LOOP EAST  
HOUSTON, TX 77029

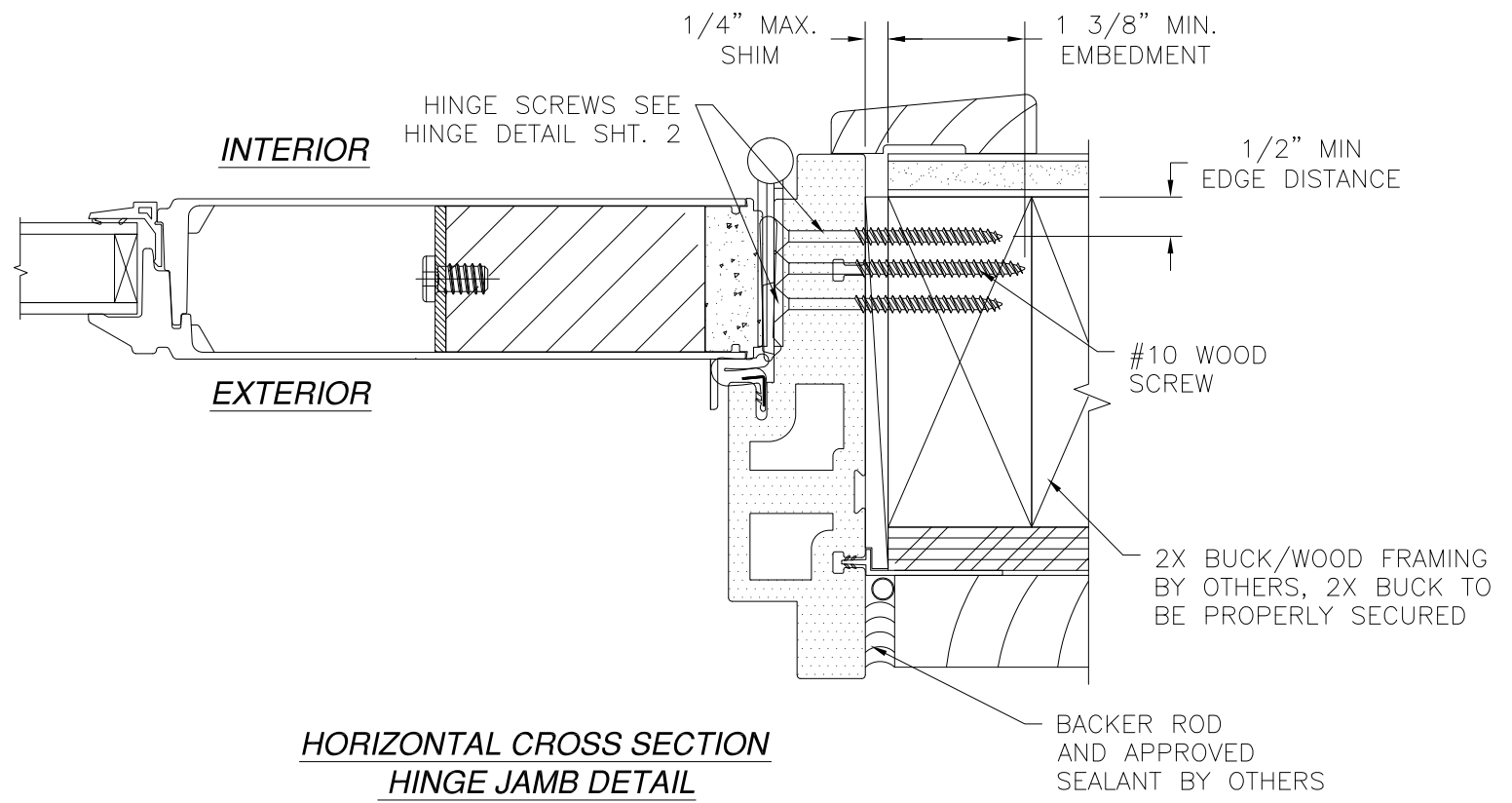
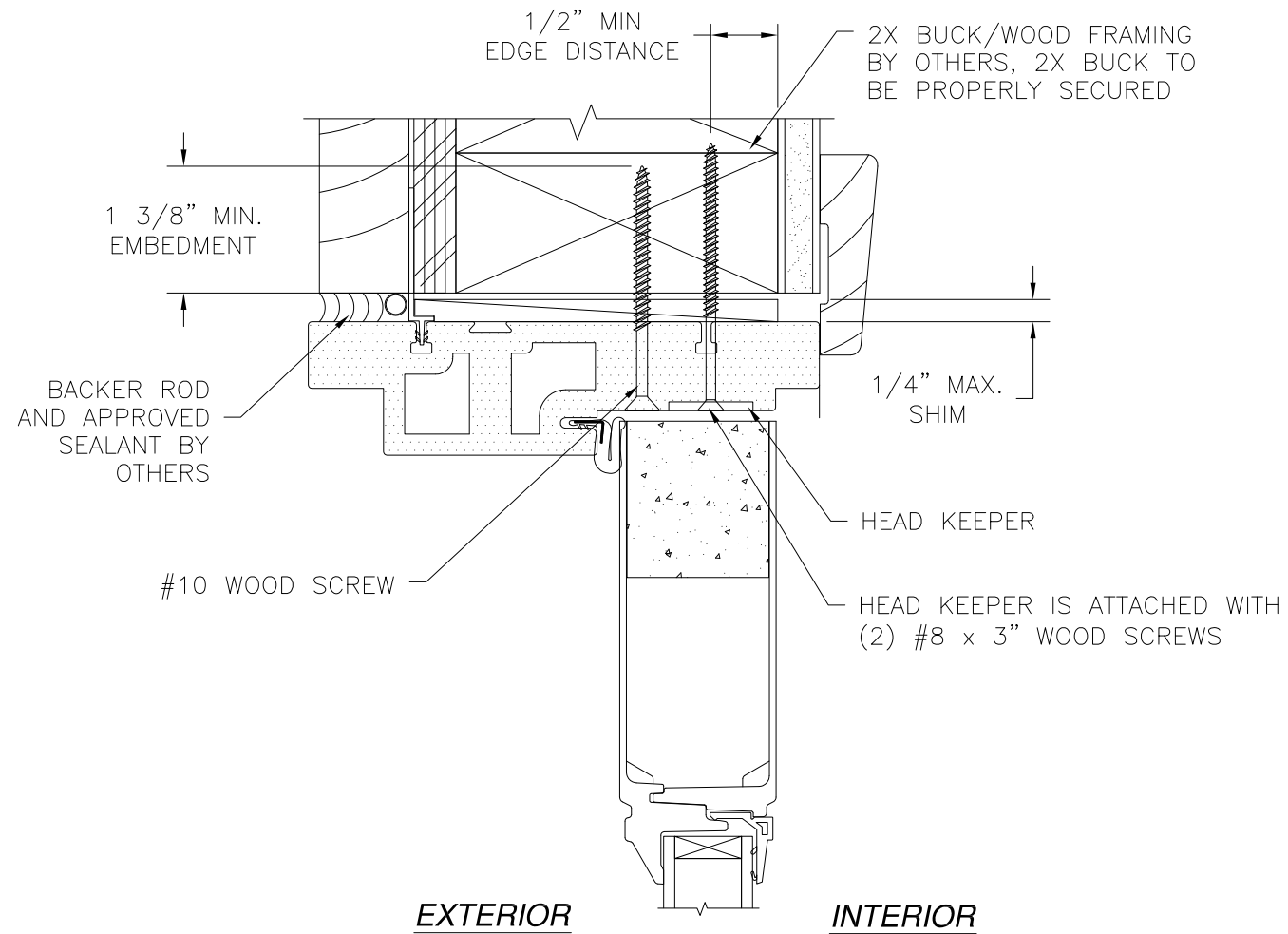
IN-SWING ENTRANCE DOOR W/ SIDELITES (SLPS)  
FIBERGLASS NON-IMPACT GLAZED  
INSTALLATION DETAILS

DRAWN: V.L.      DWG NO. 08-01889      REV A

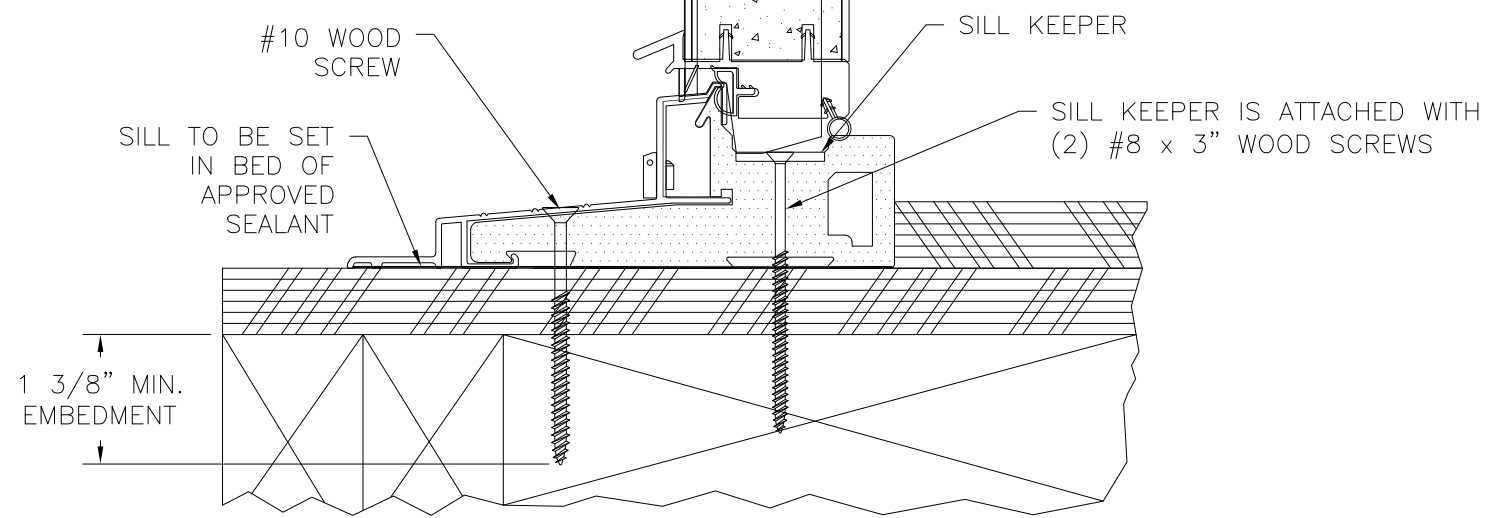
SCALE NTS      DATE 01/07/13      SHEET 5 OF 8



REVISIONS			
REV	DESCRIPTION	DATE	APPROVED
A	ADDED EDGE DISTANCES	11/05/14	R.L.



**HORIZONTAL CROSS SECTION  
HINGE JAMB DETAIL  
2X BUCK/WOOD FRAMING INSTALLATION**



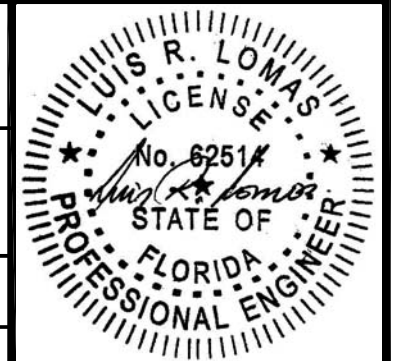
**VERTICAL CROSS SECTION  
DOOR SHOWN, SIDELITE SIMILAR  
2X BUCKWOOD FRAMING INSTALLATION**

SIGNED: 11/05/2014

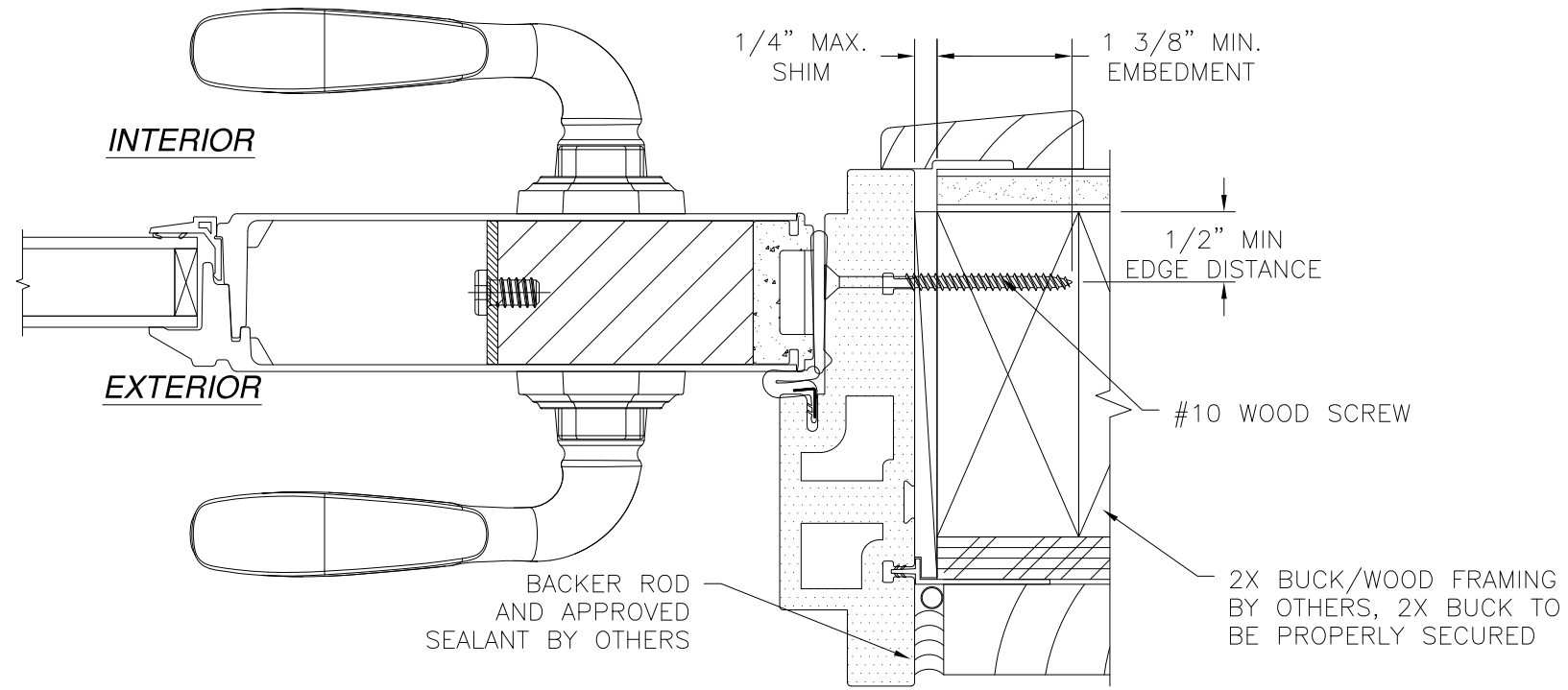
**NAN YA PLASTICS CORP. USA**  
 8989 NORTH LOOP EAST  
 HOUSTON, TX 77029

IN-SWING ENTRANCE DOOR W/ SIDELITES (SLPS)  
 FIBERGLASS NON-IMPACT GLAZED  
 INSTALLATION DETAILS

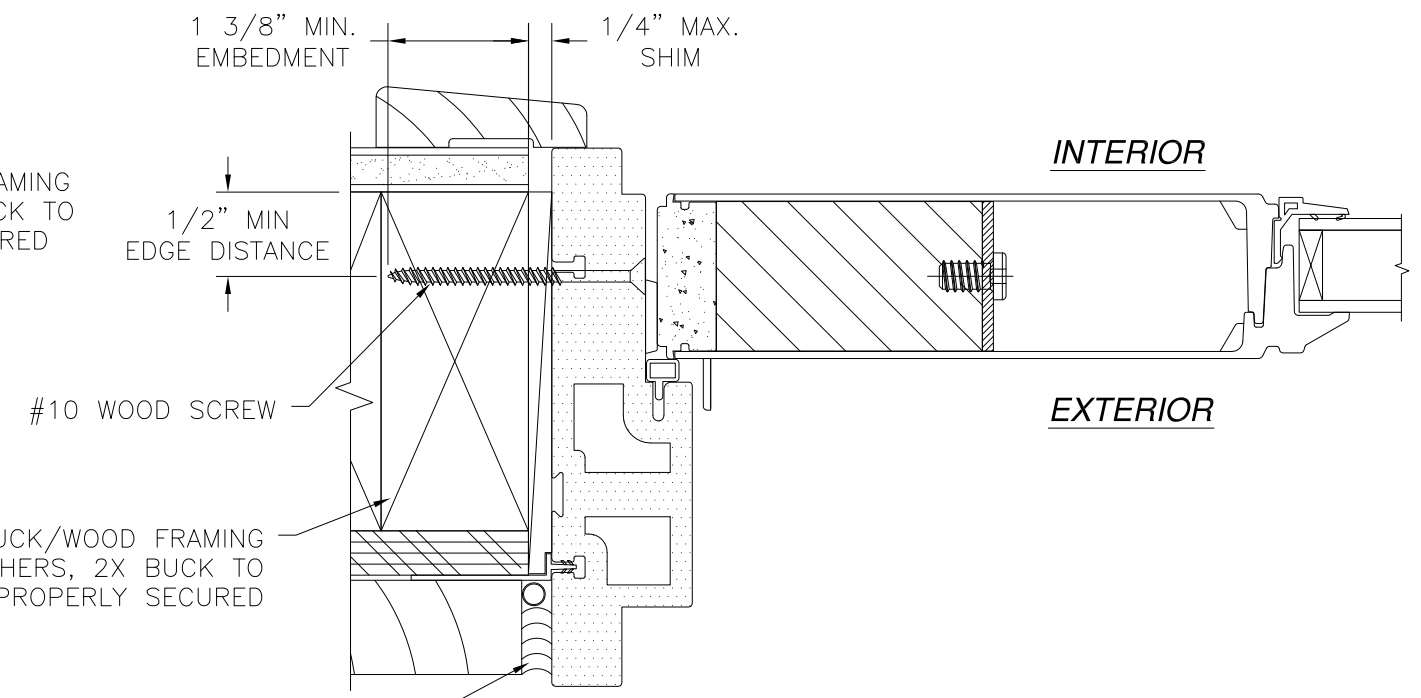
DRAWN: V.L.	DWG NO. 08-01889	REV A
SCALE NTS	DATE 01/07/13	SHEET 6 OF 8



REVISIONS			
REV	DESCRIPTION	DATE	APPROVED
A	ADDED EDGE DISTANCES	11/05/14	R.L.



**HORIZONTAL CROSS SECTION  
STRIKE JAMB DETAIL**  
2X BUCK/WOOD FRAMING INSTALLATION



**HORIZONTAL CROSS SECTION  
SIDELITE JAMB DETAIL**  
2X BUCK/WOOD FRAMING INSTALLATION

SIGNED: 11/05/2014

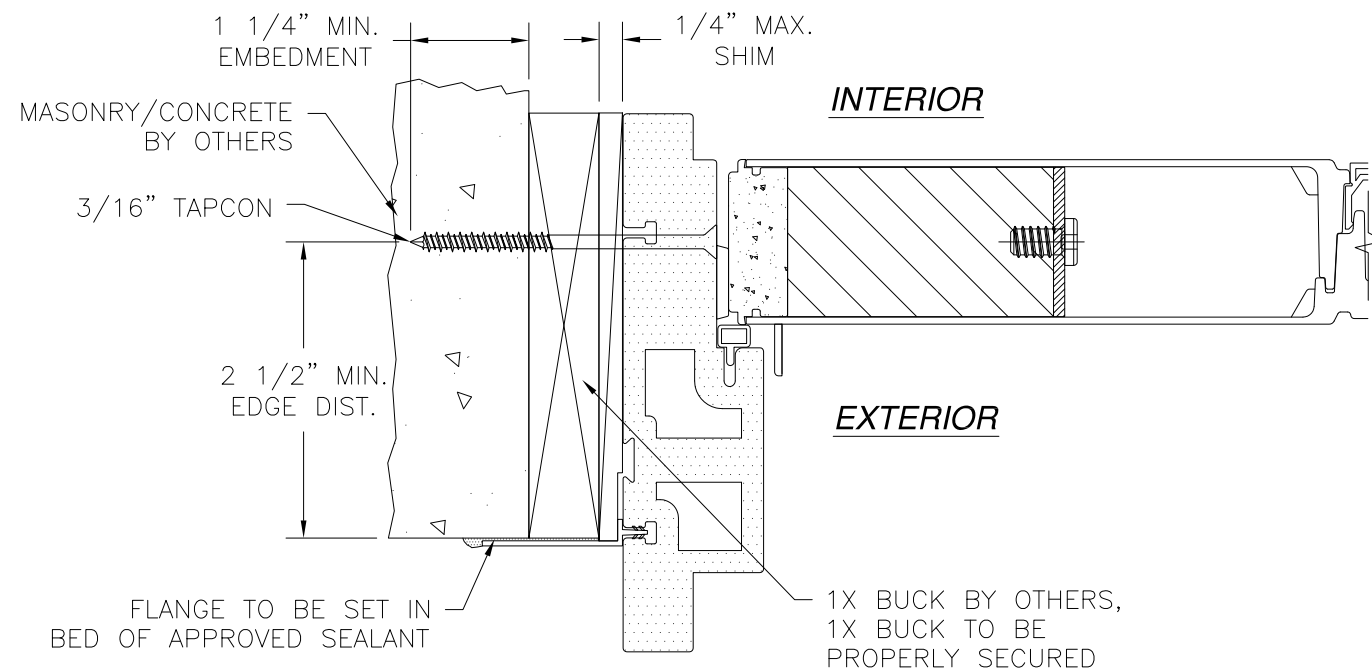
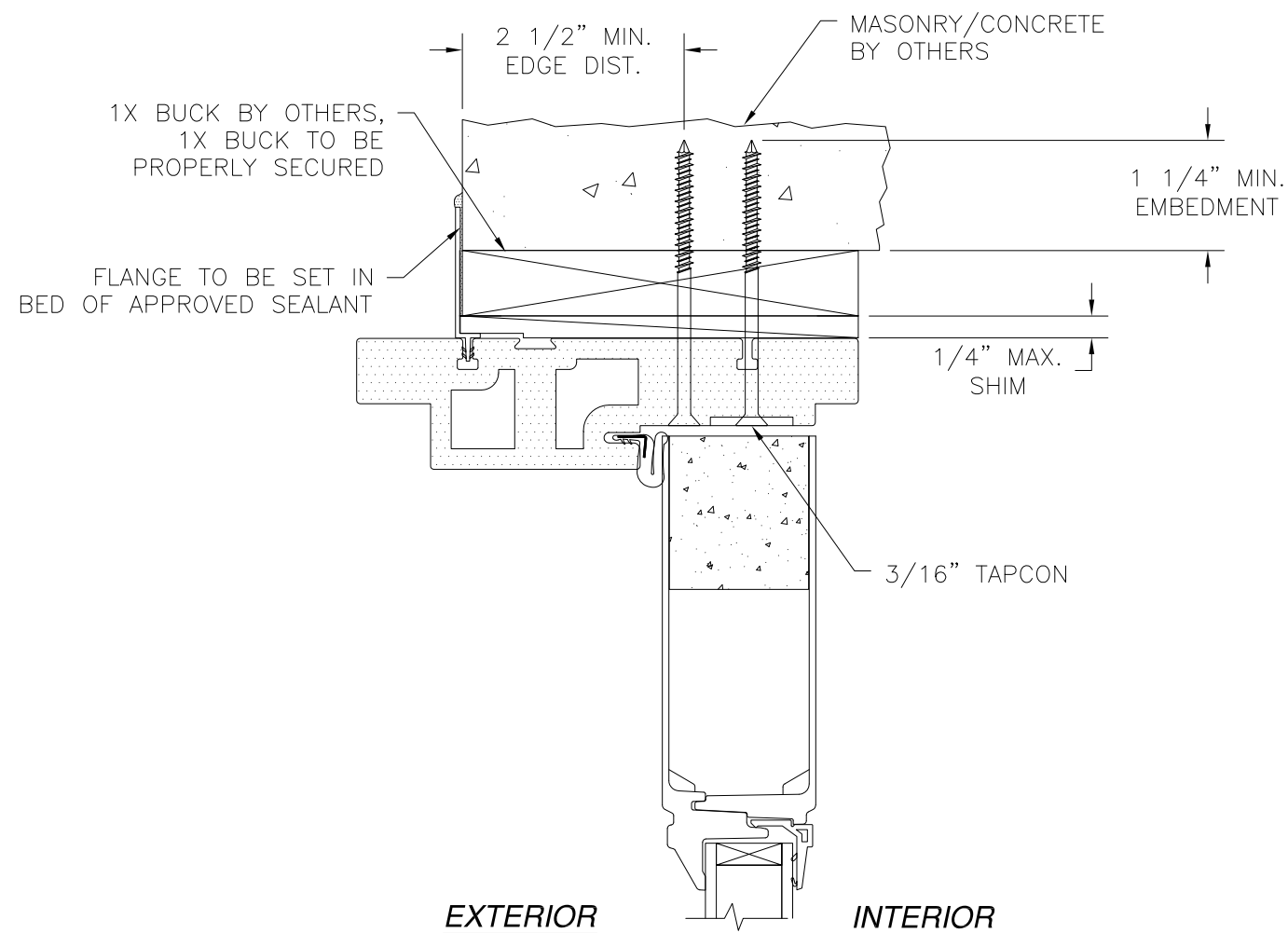
NAN YA PLASTICS CORP. USA  
8989 NORTH LOOP EAST  
HOUSTON, TX 77029

IN-SWING ENTRANCE DOOR W/ SIDELITES (SLPS)  
FIBERGLASS NON-IMPACT GLAZED  
INSTALLATION DETAILS

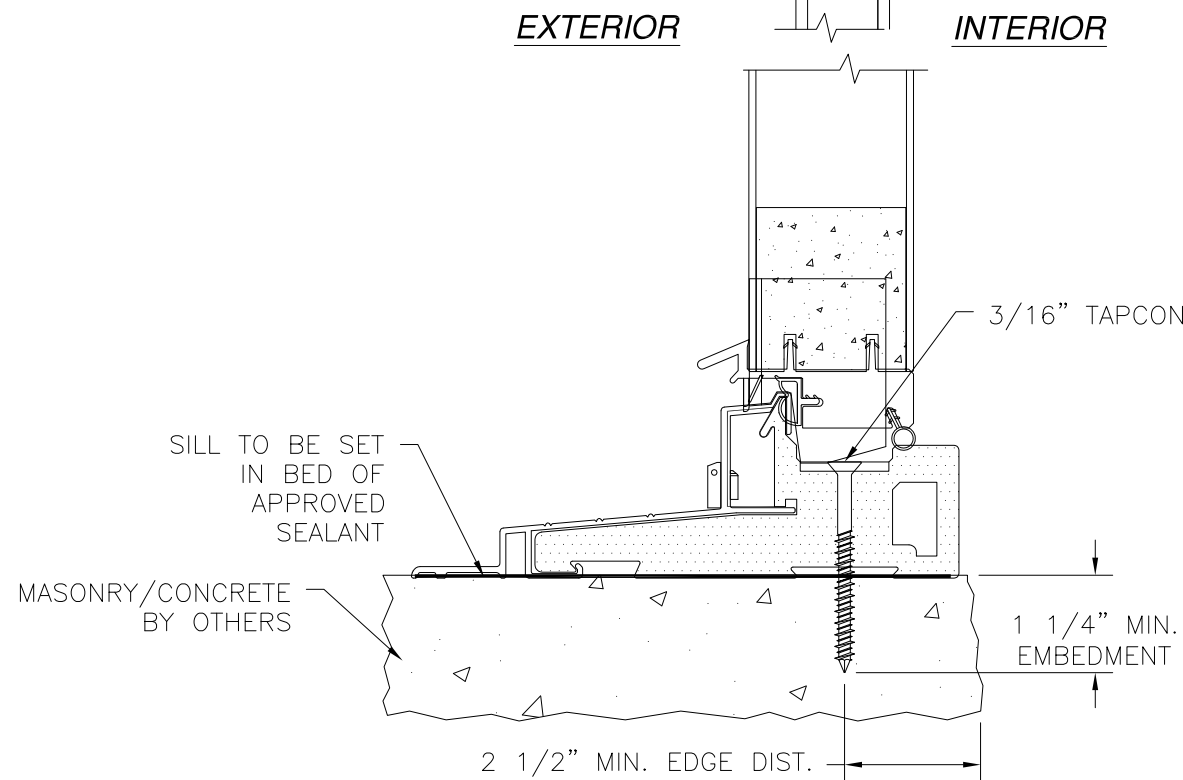
DRAWN: V.L.	DWG NO. 08-01889	REV A
SCALE NTS	DATE 01/07/13	SHEET 7 OF 8



REVISIONS			
REV	DESCRIPTION	DATE	APPROVED
A	ADDED EDGE DISTANCES	11/05/14	R.L.



**MASONRY/CONCRETE INSTALLATION**  
DOOR JAMB SHOWN, SIDELITE JAMB SIMILAR



**MASONRY/CONCRETE INSTALLATION**  
DOOR SHOWN SIDELITE SIMILAR

SIGNED: 11/05/2014

NAN YA PLASTICS CORP. USA  
8989 NORTH LOOP EAST  
HOUSTON, TX 77029

IN-SWING ENTRANCE DOOR W/ SIDELITES (SLPS)  
FIBERGLASS NON-IMPACT GLAZED  
INSTALLATION DETAILS

DRAWN: V.L.	DWG NO. 08-01889	REV A
SCALE NTS	DATE 01/07/13	SHEET 8 OF 8

