

Florida Building Code Product Approval
FL14752.6-R3 Impact 12'0" x 6'11/6'8 Inswing, Full Lite DP50

| FL # | FL14752-R3 | | | | | | |
|--|---|-----------------|-------------|----------------------|------|-----------|------|
| Application Type | Revision | | | | | | |
| Code Version | 2010 | | | | | | |
| Application Status | Approved | | | | | | |
| | *Approved by DBPR. Approvals by DBPR shall be reviewed and ratified by the POC and/or the Commission if necessary. | | | | | | |
| Comments | | | | | | | |
| Archived | <input type="checkbox"/> | | | | | | |
| Product Manufacturer | Nan Ya Plastics Corporation USA | | | | | | |
| Address/Phone/Email | 8989 North Loop East Houston, TX 77029 (713) 674-7822 Ext 105 ajen96@yahoo.com.tw | | | | | | |
| Authorized Signature | RUSKIN WU ajen96@yahoo.com.tw | | | | | | |
| Technical Representative | Ruskin Wu | | | | | | |
| Address/Phone/Email | 8989 North Loop East Houston, TX 77029-1217 (713) 674-7822 Ext 105 ajen96@yahoo.com.tw | | | | | | |
| Quality Assurance Representative | | | | | | | |
| Address/Phone/Email | | | | | | | |
| Category | Exterior Doors | | | | | | |
| Subcategory | Swinging Exterior Door Assemblies | | | | | | |
| Compliance Method | Certification Mark or Listing | | | | | | |
| Certification Agency | National Accreditation & Management Institute | | | | | | |
| Validated By | National Accreditation & Management Institute, | | | | | | |
| Referenced Standard and Year (of Standard) | <table border="0"> <thead> <tr> <th><u>Standard</u></th> <th><u>Year</u></th> </tr> </thead> <tbody> <tr> <td>AAMA/NWWDA 101/I.S.2</td> <td>1997</td> </tr> <tr> <td>AAMA/WDMA</td> <td>2002</td> </tr> </tbody> </table> | <u>Standard</u> | <u>Year</u> | AAMA/NWWDA 101/I.S.2 | 1997 | AAMA/WDMA | 2002 |
| <u>Standard</u> | <u>Year</u> | | | | | | |
| AAMA/NWWDA 101/I.S.2 | 1997 | | | | | | |
| AAMA/WDMA | 2002 | | | | | | |

Florida Building Code Product Approval
FL14752.6-R3 Impact 12'0" x 6'11/6'8 Inswing, Full Lite DP50

| | | |
|---|--|--|
| | 101/I.S.2/NAFS AAMA/WDMA/CSA 101/I.S.2/A440 ASTM E1886 ASTM E1886 ASTM E1996 ASTM E1996 ASTM E1996 ASTM E330 | 2008 2005 2002 2002 2006 2002 |
| Equivalence of Product Standards Certified By | | |
| Product Approval Method | Method 1 Option A | |
| Date Submitted | 10/22/2014 | |
| Date Validated | 11/24/2014 | |
| Date Pending FBC Approval | | |
| Date Approved | 11/25/2014 | |

| | | |
|--|---------------------------------------|--|
| 14752.6 | In-swing Entrance Door with Sidelites | NEUMA IMPACT IN-SWING 12'0 X 6'11 GLAZED, 4 PANEL |
| Limits of Use Approved for use in HVHZ: No Approved for use outside HVHZ: Yes Impact Resistant: Yes Design Pressure: +50/-50 Other: | | Certification Agency Certificate FL14752_R3_C_CAC_NI011075.01.pdf FL14752_R3_C_CAC_NI011075.pdf Quality Assurance Contract Expiration Date 04/30/2016 Installation Instructions FL14752_R3_II_08-01549A.pdf Verified By: Luis R. Lomas, P.E. 62514 Created by Independent Third Party: Yes Evaluation Reports FL14752_R3_AE_512195B.pdf Created by Independent Third Party: Yes |

NOTICE OF PRODUCT CERTIFICATION



CERTIFICATION NO: NI011075
DATE: 04/25/2012
CERTIFICATION PROGRAM: Structural
COMPANY: Nan Ya Plastics
CODE: 661-1

To verify that the "Notice of Product Certification" is valid, please visit www.NAMICertification.com to assure that the product is active and currently listed. This certification represents product conformity to the applicable specification and that certification criteria has been satisfied. Please review and advise NAMI if any corrections are required to this document.

| COMPANY NAME AND ADDRESS | PRODUCT DESCRIPTION |
|--|--|
| Nan Ya Plastics Corp. USA/ Neuma Doors 8989 North Loop East Houston, TX 77029 | "In-Swing Entrance Door with Sidelites" Fiberglass Impact Glazed Side-Hinged Door w/Impact Glazed Fixed Panels Configuration: OXXO Glazing: IG- 1/8" Tempered Glass/Laminate- 1/8" Annealed Glass/0.090" DuPont Butacite PVB/1/8" Annealed Glass Frame: W-3639mm(143.25") H-2096mm(82.50") Panel: W-876mm(34.50") H-2010mm(79.13") DLO: W-635mm(25.00") H-1601mm(63.00") |

| SPECIFICATION | PRODUCT RATING |
|--|---|
| AAMA/WDMA/CSA 101/I.S.2/A440-08 AAMA 506-08 ASTM E1886-05/1996-05 | Class R-PG50 3639 X 2096 (144 x 83)-SHD Design Pressure = +50/-50 psf Large Missile Impact Rated Wind Zone 4-Missile Level D <small>Qualifies Configurations: O/X/OX/XO/OXO/XX/OXX/XXO/OXXO</small> |

Product Tested By: Fenestration Testing Laboratory, Inc.
Report No: FTL # 6718
Expiration Date: April 30, 2016

Administrator's Signature: _____

**NATIONAL ACCREDITATION AND
MANAGEMENT INSTITUTE, INC.**
4794 George Washington Memorial Highway
Hayes, VA 23072
Tel: (804) 684-5124/ Fax: (804) 684-5122

NOTICE OF PRODUCT CERTIFICATION



CERTIFICATION NO: NI011075.01
DATE: 04/25/2012
CERTIFICATION PROGRAM: Structural
COMPANY: Nan Ya Plastics
CODE: 661-1

To verify that the "Notice of Product Certification" is valid, please visit www.NAMICertification.com to assure that the product is active and currently listed. This certification represents product conformity to the applicable specification and that certification criteria has been satisfied. Please review and advise NAMI if any corrections are required to this document.

| COMPANY NAME AND ADDRESS | PRODUCT DESCRIPTION |
|--|--|
| Nan Ya Plastics Corp. USA/ Neuma Doors 8989 North Loop East Houston, TX 77029 | "In-Swing Entrance Door with Sidelites" Fiberglass Impact Glazed Side-Hinged Door w/Impact Glazed Fixed Panels Configuration: OXXO Glazing: IG- 1/8" Tempered Glass/Laminate- 1/8" Annealed Glass/0.090" DuPont Butacite PVB/1/8" Annealed Glass Frame: W-3639mm(143.25") H-2096mm(82.50") Panel: W-876mm(34.50") H-2010mm(79.13") DLO: W-635mm(25.00") H-1601mm(63.00") |

| SPECIFICATION | PRODUCT RATING |
|--|---|
| AAMA/WDMA/CSA 101/I.S.2/A440-08 AAMA 506-08 ASTM E1886-05/1996-05 | Class R-PG50 3639 X 2096 (144 x 83)-SHD Design Pressure = +50/-50 psf Large Missile Impact Rated Wind Zone 4-Missile Level D <small>Qualifies Configurations: O/X/OX/XO/OXO/XX/OXX/XXO/OXXO</small> |

Product Tested By: Fenestration Testing Laboratory, Inc.
Report No: FTL # 6872
Expiration Date: April 30, 2016

Administrator's Signature: _____

**NATIONAL ACCREDITATION AND
MANAGEMENT INSTITUTE, INC.**
4794 George Washington Memorial Highway
Hayes, VA 23072
Tel: (804) 684-5124/ Fax: (804) 684-5122

L. Roberto Lomas P.E.

233 W. Main St.

Danville, VA 24541

434-688-0609

rlomas@lrlomaspe.com

Engineering Evaluation Report

Report No.: 512195B

Manufacturer: Nan Ya Plastics Corporation
8989 North Loop East
Houston, TX 77029

Product Line: In-Swing Entrance Door with Sidelites

Compliance:

The above mentioned product has been evaluated for compliance with the requirements of the Florida Department of Business and Professional Regulation for Statewide Acceptance per Rule 61G20-3.005 method 1(a). The product listed herein complies with requirements of the Florida Building Code.

Supporting Technical Documentation:

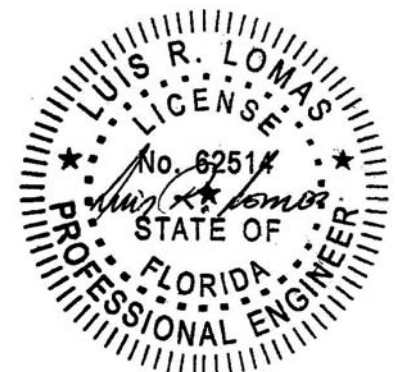
1. Approval document: drawing number 08-01549 revision A, prepared, signed and sealed by Luis Roberto Lomas P.E.
2. Report No.: FTL 6718 signed and sealed by Mr. Marlin D. Brinson, P.E.
Fenestration Testing Laboratory, Inc., Medley, FL
AAMA/WDMA/CSA 101/I.S.2/A440-08
Design pressure: ±50.0psf
Water penetration resistance 7.5psf
ASTM E1886-05 and ASTM E1996-05
ASTM E1886/ E1996 Large Missile Impact, Level D, Wind Zone 4
ASTM E1886/ E1996 Cyclic Load Test, ±50.0psf design pressure
3. Anchor calculations, report number 512195-1, prepared, signed and sealed by Luis Roberto Lomas P.E.

Limitations and Conditions of use:

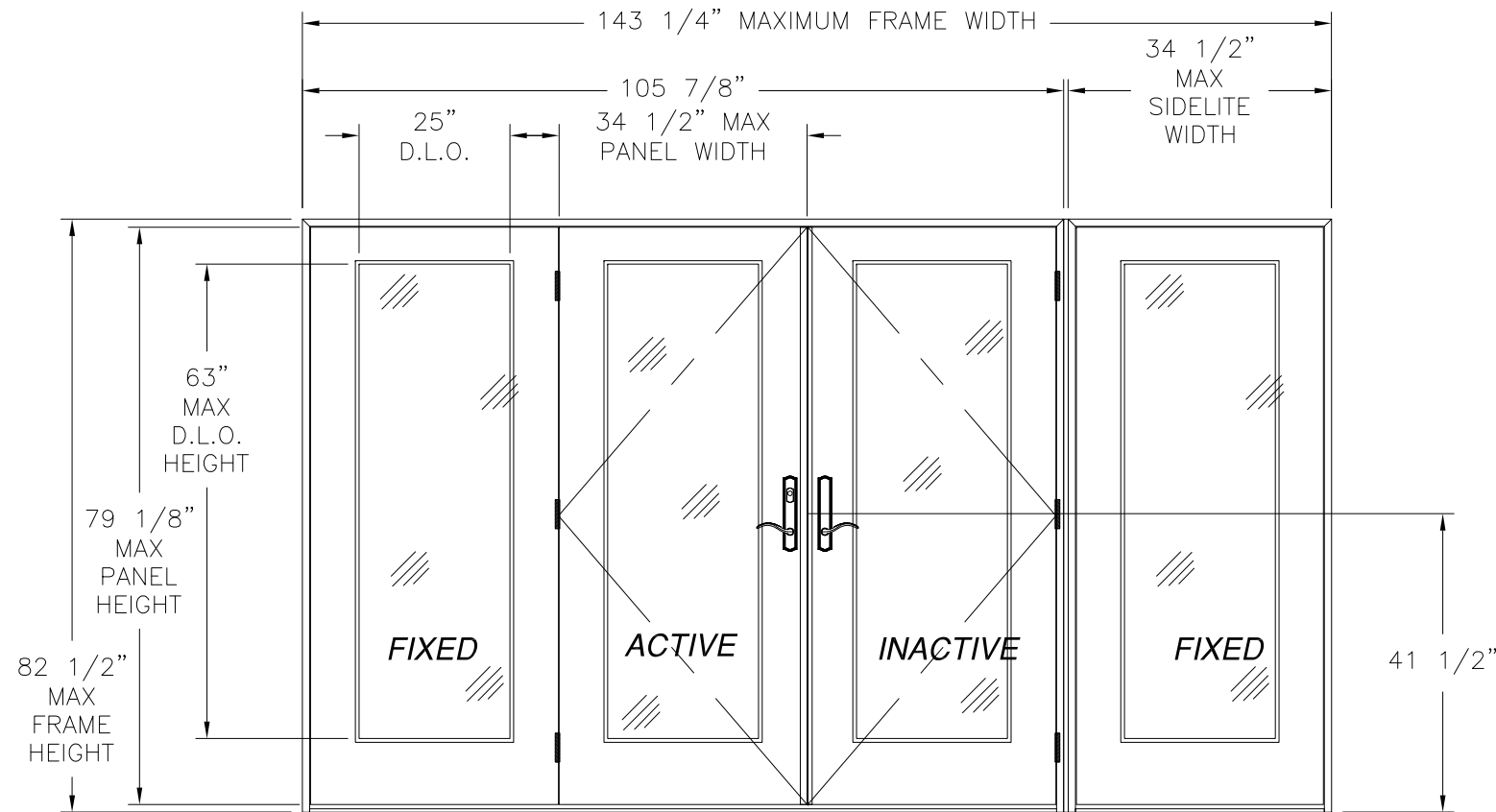
- Maximum design pressure: ±50.0psf
- Maximum unit size: 143 1/4" x 82 1/2"
- Units must be glazed per ASTM E 1300-04, see installation instructions for glass options.
- This product is not rated to be used in the HVHZ.
- This product is impact resistant and does not require impact protection in wind borne debris regions.

Installation: Units must be installed in accordance with approval document, 08-01549, revision A.

Certification of Independence: Please note that I don't have nor will acquire a financial interest in any company manufacturing or distributing the product(s) for which this report is being issued. Also, I don't have nor will acquire a financial interest in any other entity involved in the approval process of the listed product(s).



| REVISIONS | | | |
|-----------|----------------------|----------|----------|
| REV | DESCRIPTION | DATE | APPROVED |
| A | ADDED EDGE DISTANCES | 11/05/14 | R.L |



- NOTES:
1. THE PRODUCT SHOWN HEREIN IS DESIGNED AND MANUFACTURED TO COMPLY WITH REQUIREMENTS OF THE FLORIDA BUILDING CODE.
 2. WOOD FRAMING AND MASONRY OPENING TO BE DESIGNED AND ANCHORED TO PROPERLY TRANSFER ALL LOADS TO STRUCTURE. FRAMING AND MASONRY OPENING IS THE RESPONSIBILITY OF THE ARCHITECT OR ENGINEER OF RECORD.
 3. 1X BUCK OVER MASONRY/CONCRETE IS OPTIONAL. WHERE 1X BUCK IS NOT USED DISSIMILAR MATERIALS MUST BE SEPARATED WITH APPROVED COATING OR MEMBRANE. SELECTION OF COATING OR MEMBRANE IS THE RESPONSIBILITY OF THE ARCHITECT OR ENGINEER OF RECORD.
 4. UNITS MUST BE GLAZED PER ASTM E1300-04, SEE SHEET 5 FOR GLASS OPTIONS.
 5. APPROVED IMPACT PROTECTIVE SYSTEM IS NOT REQUIRED FOR THIS PRODUCT IN WIND BORNE DEBRIS REGIONS.
 6. FRAME JAMB AND HEAD MATERIAL: CO-EXTRUDED PVC FOAM 1 1/2" THICK.
 7. FRAME SILL MATERIAL: CO-EXTRUDED PVC FOAM 2" THICK WITH ALUMINUM CLADDING .063" THICK.
 8. DOOR PANEL AND SIDELITE MATERIAL: .075" THICK FIBERGLASS SKIN WITH PVC FOAM TOP AND BOTTOM RAILS, AND PVC FOAM VERTICAL STILES WITH PINE REINFORCEMENTS AND POLYURETHANE FOAM CORE.
 9. APPROVED CONFIGURATIONS: O, X, OX, XO, XX, OXO, XXO, OXX AND OXXO. SEE SHEET 2.
 10. HINGES LOCATED AT 8 3/4", 39 1/2", AND 71 3/8" FROM TOP OF PANEL

IN-SWING ENTRANCE DOOR
DOUBLE DOOR W/ SIDELITES
 EXTERIOR VIEW

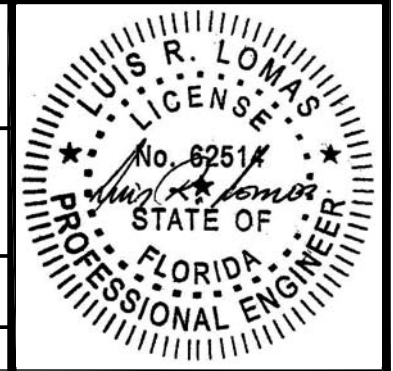
| DESIGN PRESSURE RATING | IMPACT RATING |
|------------------------|--------------------------------|
| ±50.0PSF | LARGE AND SMALL MISSILE IMPACT |

MISSILE LEVEL D, WIND ZONE 4

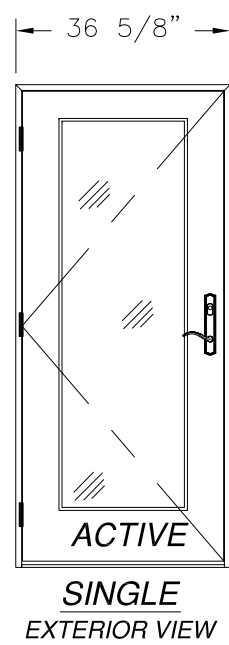
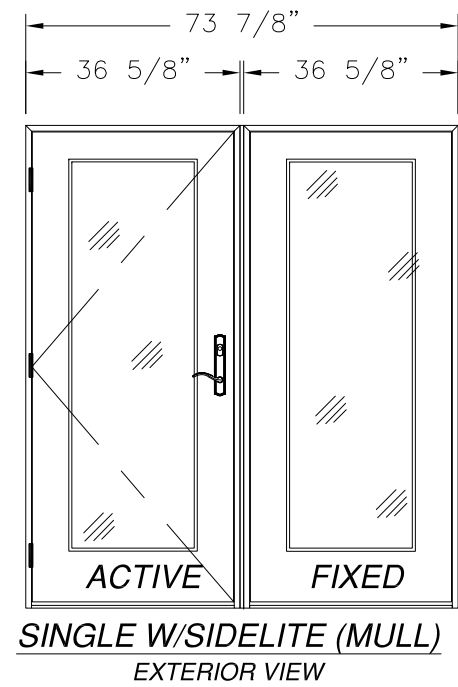
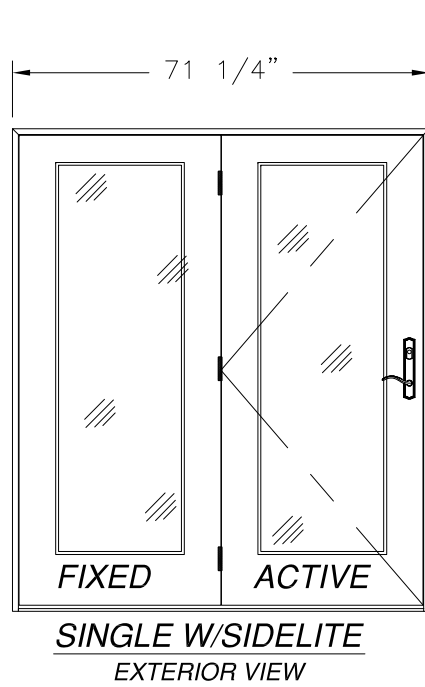
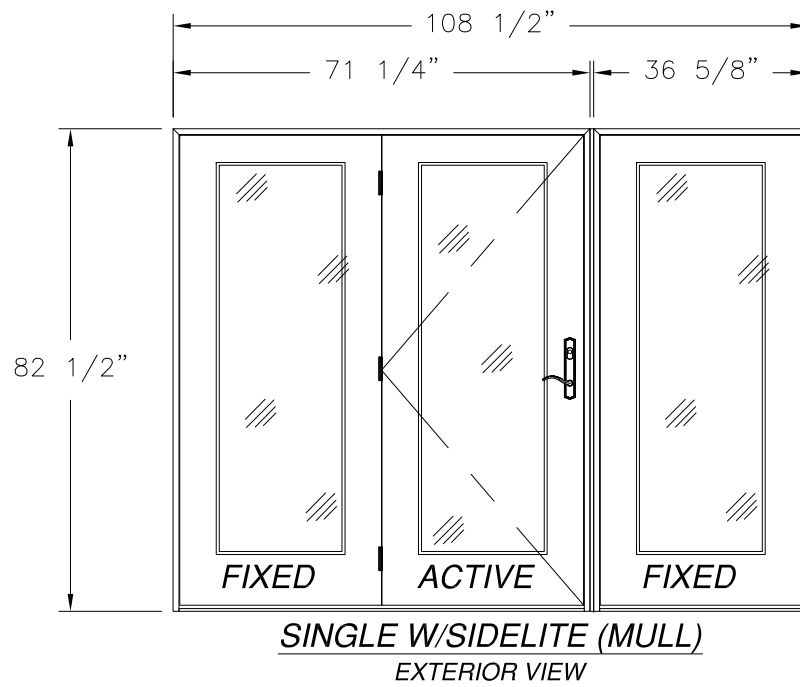
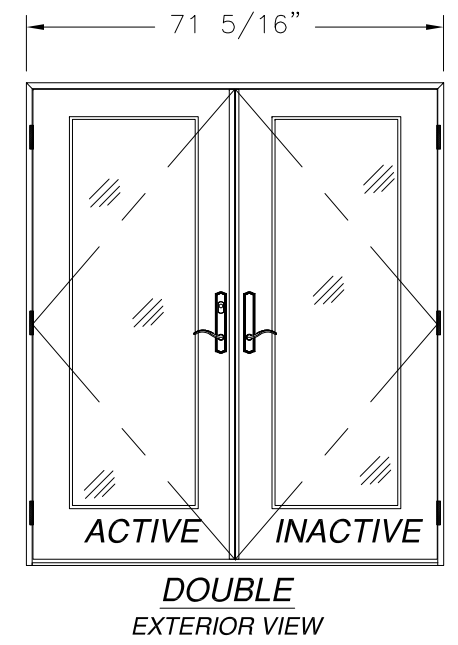
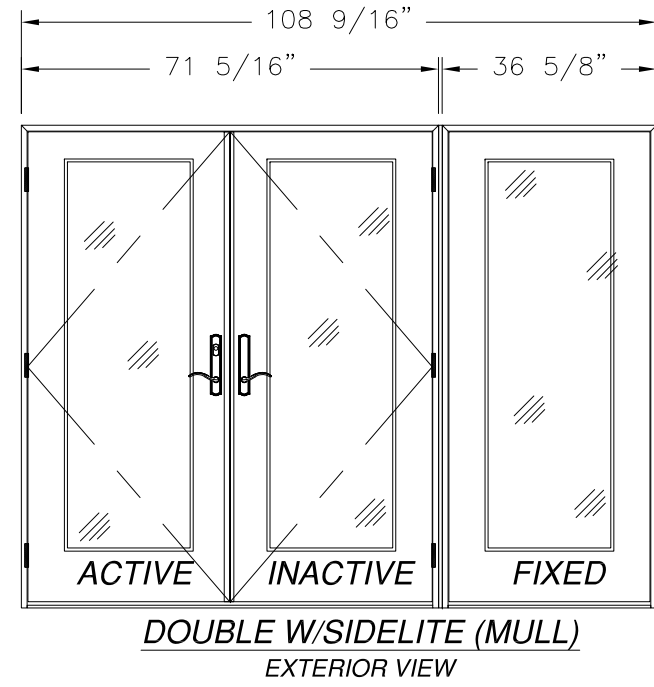
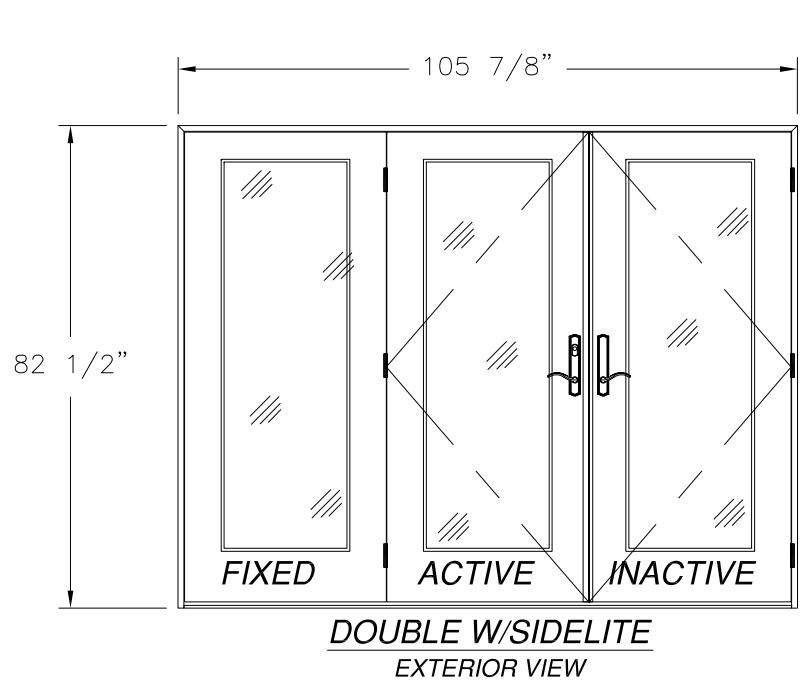
SIGNED: 11/06/2014

| TABLE OF CONTENTS | |
|-------------------|--|
| SHEET NO. | DESCRIPTION |
| 1 | ELEVATION AND NOTES |
| 2 | ADDITIONAL CONFIGURATIONS AND HARDWARE |
| 3 - 4 | ANCHORING LAYOUTS |
| 5 - 8 | INSTALLATION DETAILS |

| | | |
|---|---------------------|--------------|
| NAN YA PLASTICS CORP. USA 8989 NORTH LOOP EAST HOUSTON, TX 77029 | | |
| IN-SWING ENTRANCE DOOR W/ SIDELITES FIBERGLASS IMPACT GLAZED OXXO ELEVATION AND NOTES | | |
| DRAWN: V.L. | DWG NO. 08-01549 | REV A |
| SCALE NTS | DATE 04/30/12 | SHEET 1 OF 8 |



| REVISIONS | | | |
|-----------|----------------------|----------|----------|
| REV | DESCRIPTION | DATE | APPROVED |
| A | ADDED EDGE DISTANCES | 11/05/14 | R.L |



SIGNED: 11/06/2014

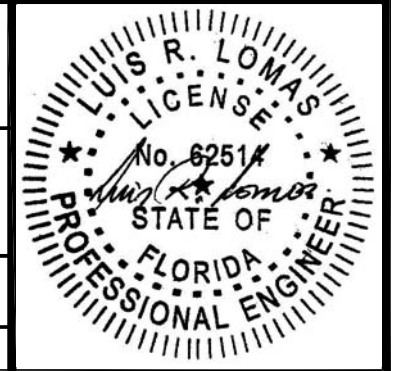
NOTE:
ALL APPROVED CONFIGURATIONS ARE SHOWN AS LEFT HAND ACTIVE, RIGHT HAND ACTIVE IS ALSO APPROVED.

| HARDWARE SCHEDULE | |
|-------------------|--|
| A. | 2 POINT LOCK BY NINGBO MICOTA (INACTIVE PANEL) |
| B. | 3 POINT LOCK BY NINGBO MICOTA (ACTIVE PANEL) |
| C. | (4) 4"x4" BUTT HINGES BY WENZHOU LONGTAI (PER PANEL) |
| D. | ALUMINUM & PVC FOAM ASTRAGAL BY NAN YA PLASTICS |
| E. | ALUMINUM & PVC FOAM MULLION BY NAN YA PLASTICS |

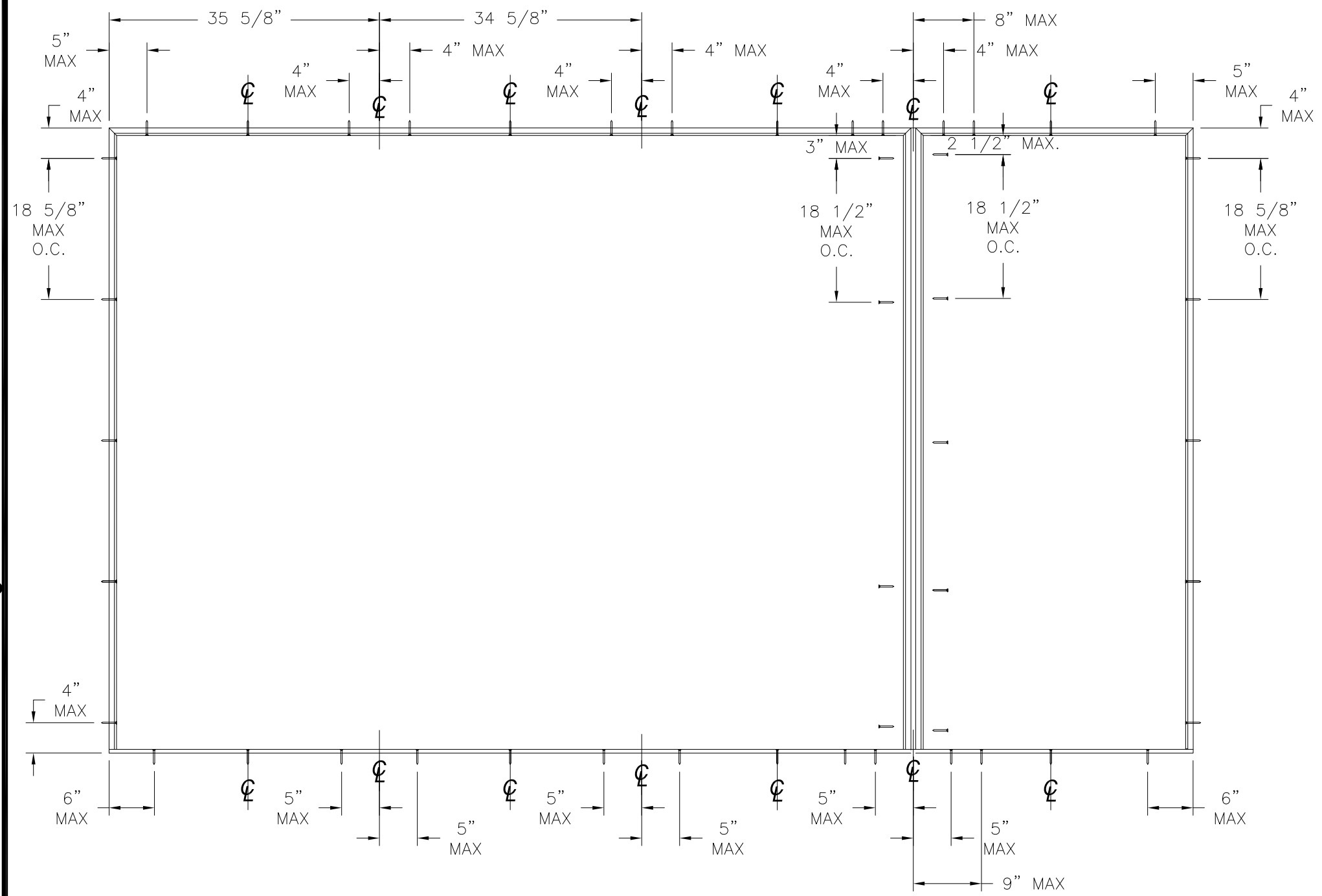
NAN YA PLASTICS CORP. USA
8989 NORTH LOOP EAST
HOUSTON, TX 77029

IN-SWING ENTRANCE DOOR W/ SIDELITES
FIBERGLASS IMPACT GLAZED
ADDITIONAL CONFIGURATIONS AND HARDWARE

| | | |
|----------------|---------------------|-----------------|
| DRAWN: V.L. | DWG NO. 08-01549 | REV A |
| SCALE NTS | DATE 04/30/12 | SHEET 2 OF 8 |



| REVISIONS | | | |
|-----------|----------------------|----------|----------|
| REV | DESCRIPTION | DATE | APPROVED |
| A | ADDED EDGE DISTANCES | 11/05/14 | R.L |



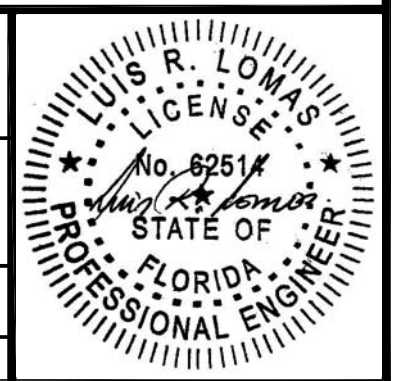
ANCHORING LAYOUT

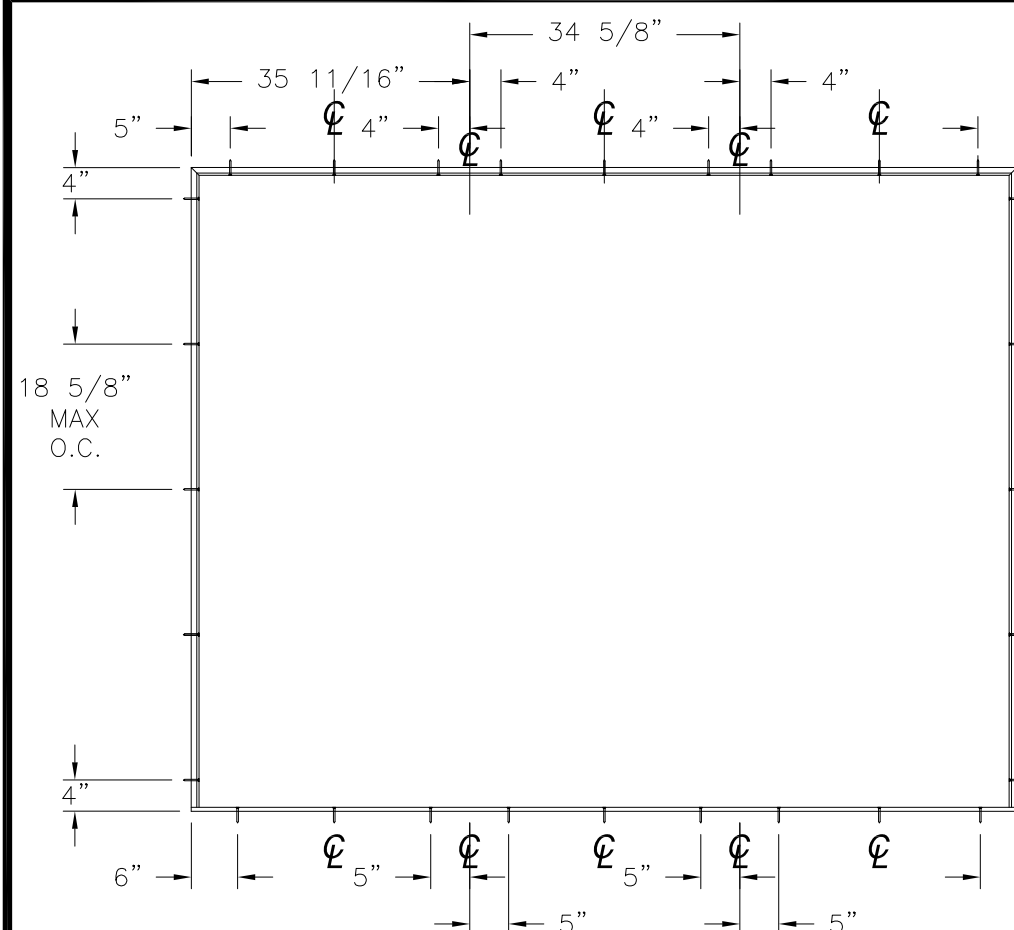
ANCHORING NOTES:

- 1) SHIM AS REQUIRED AT EACH INSTALLATION ANCHOR WITH LOAD BEARING SHIM. SHIM WHERE SPACE OF 1/16" OR GREATER OCCURS. MAXIMUM ALLOWABLE SHIM STACK TO BE 1/4".
- 2) FOR ANCHORING INTO MASONRY/CONCRETE USE 3/16" TAPCON OF SUFFICIENT LENGTH TO ACHIEVE A 1 1/4" MINIMUM EMBEDMENT INTO SUBSTRATE. LOCATE ANCHORS AS SHOWN IN ANCHORING LAYOUT AND INSTALLATION DETAILS.
- 3) FOR ANCHORING INTO 2X BUCK OR WOOD FRAMING USE #10 WOOD SCREW OF SUFFICIENT LENGTH TO ACHIEVE A 1 3/8" MINIMUM EMBEDMENT INTO SUBSTRATE. LOCATE ANCHORS AS SHOWN IN ANCHORING LAYOUT AND INSTALLATION DETAILS.
- 4) ALL FASTENERS TO BE CORROSION RESISTANT.
- 5) INSTALLATION ANCHORS SHALL BE INSTALLED IN ACCORDANCE WITH ANCHOR MANUFACTURER'S INSTALLATION INSTRUCTIONS, AND ANCHORS SHALL NOT BE USED IN SUBSTRATES WITH STRENGTHS LESS THAN THE MINIMUM STRENGTH SPECIFIED BELOW:
 - A. WOOD – MINIMUM SPECIFIC GRAVITY OF G=0.42
 - B. CONCRETE – MINIMUM COMPRESSIVE STRENGTH OF 3,200 PSI.
 - C. MASONRY – STRENGTH CONFORMANCE TO ASTM C-90, GRADE N, TYPE 1 (OR GREATER).

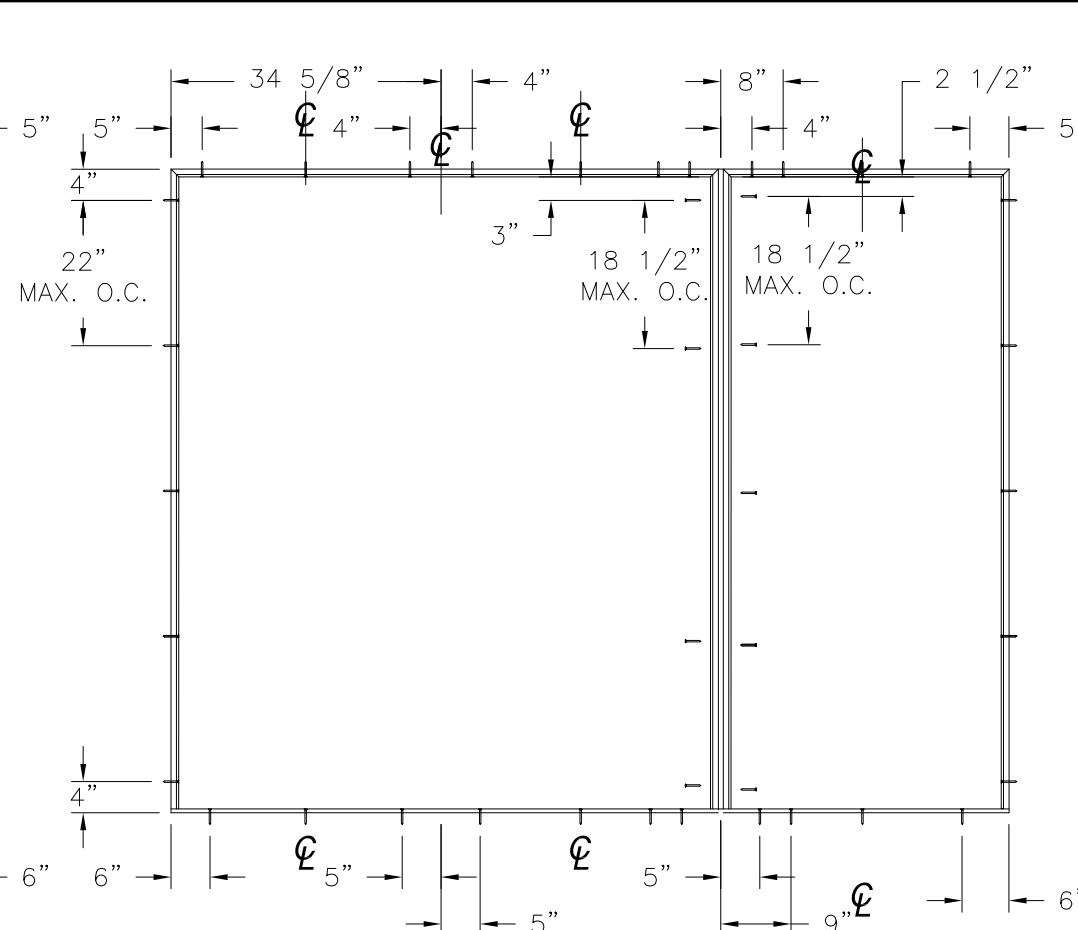
SIGNED: 11/06/2014

| | | |
|--|---------------------|--------------|
| NAN YA PLASTICS CORP. USA 8989 NORTH LOOP EAST HOUSTON, TX 77029 | | |
| IN-SWING ENTRANCE DOOR W/ SIDELITES FIBERGLASS IMPACT GLAZED ANCHORING LAYOUTS | | |
| DRAWN: V.L. | DWG NO. 08-01549 | REV A |
| SCALE NTS | DATE 04/30/12 | SHEET 3 OF 8 |

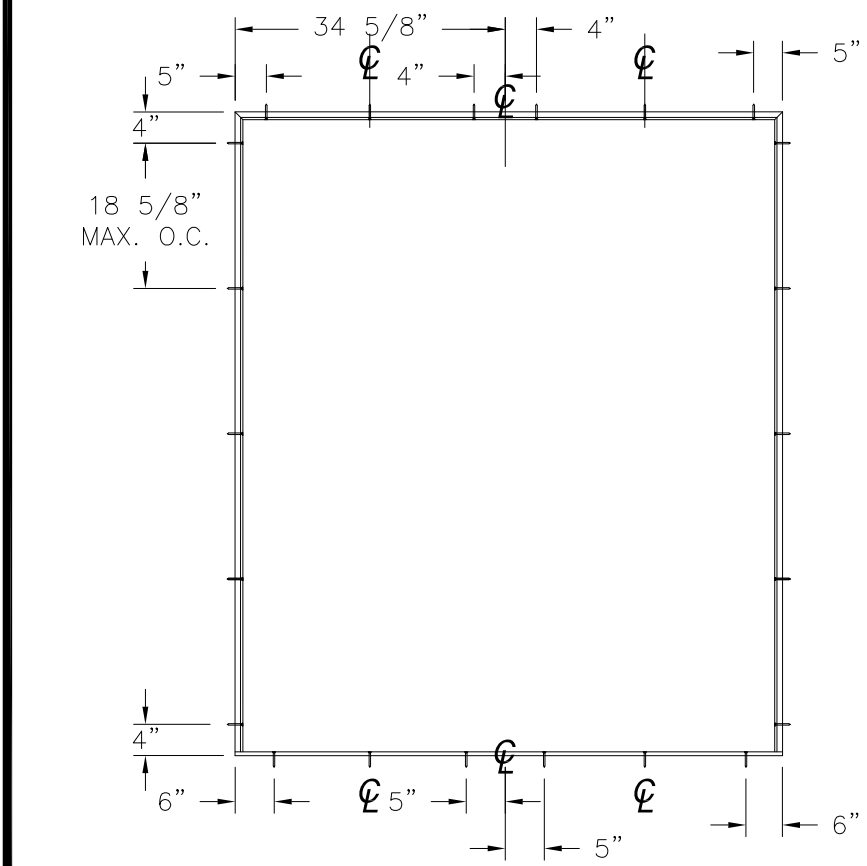




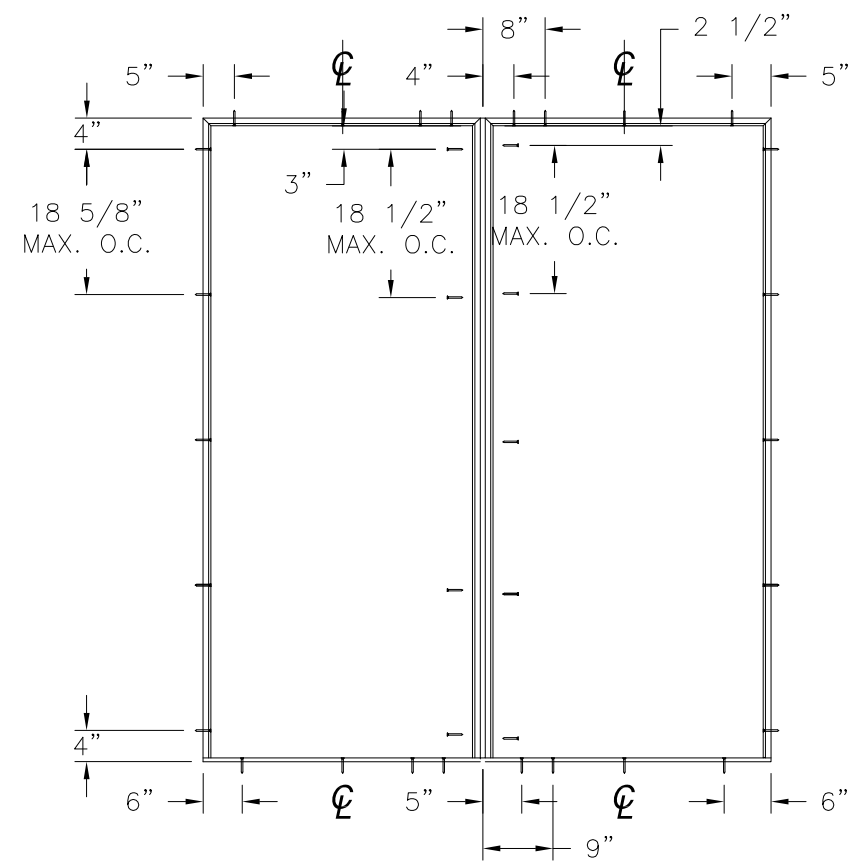
ANCHORING LAYOUT FOR OXO, XXO AND OXX



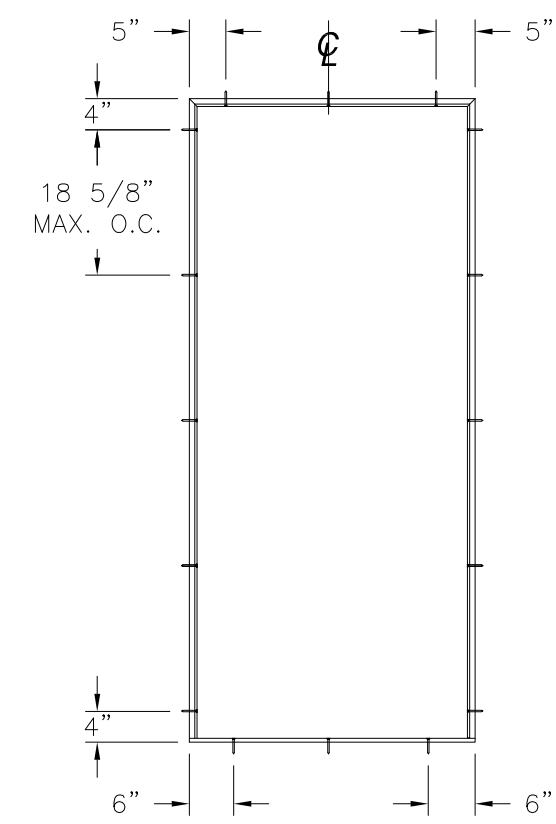
ANCHORING LAYOUT FOR OXO, XXO AND OXX (MULL)



ANCHORING LAYOUT FOR XX, OX AND XO



ANCHORING LAYOUT FOR OX AND XO (MULL)



ANCHORING LAYOUT FOR X

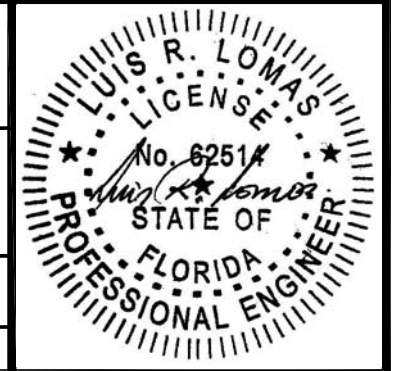
| REVISIONS | | | |
|-----------|----------------------|----------|----------|
| REV | DESCRIPTION | DATE | APPROVED |
| A | ADDED EDGE DISTANCES | 11/05/14 | R.L |

NAN YA PLASTICS CORP. USA
 8989 NORTH LOOP EAST
 HOUSTON, TX 77029

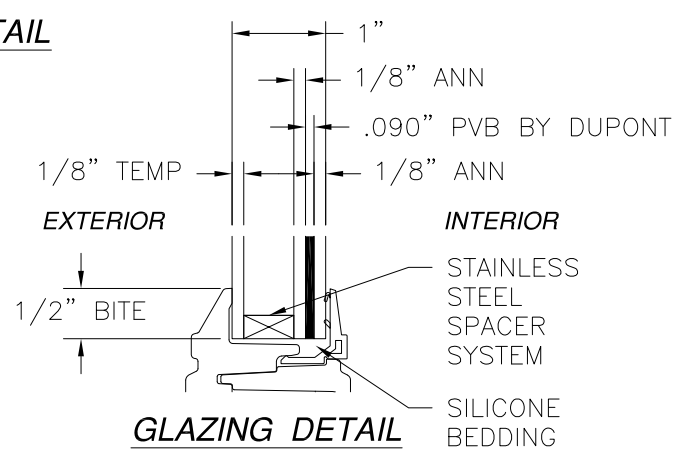
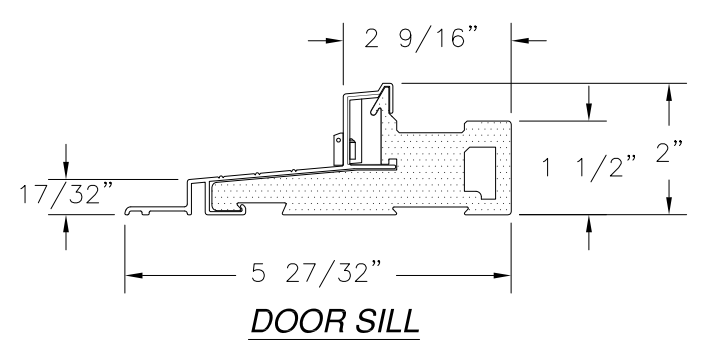
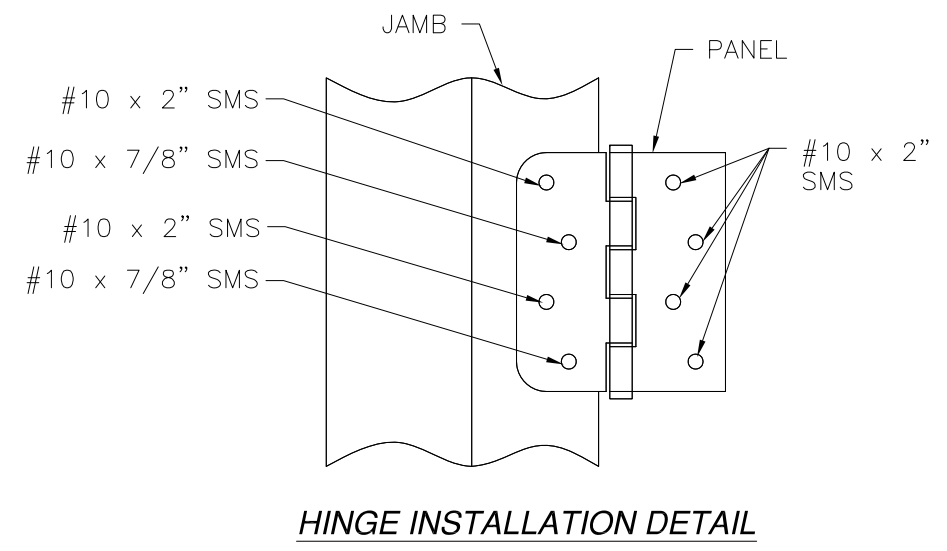
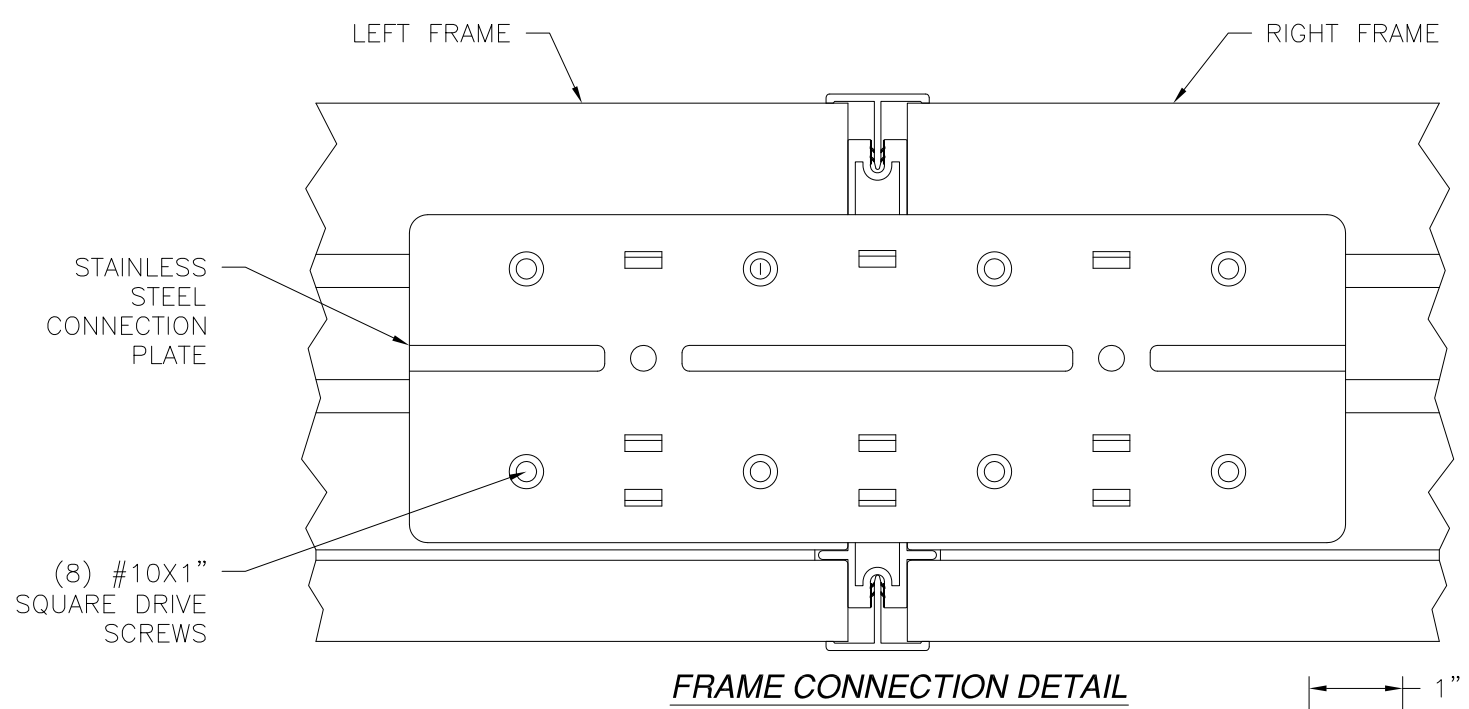
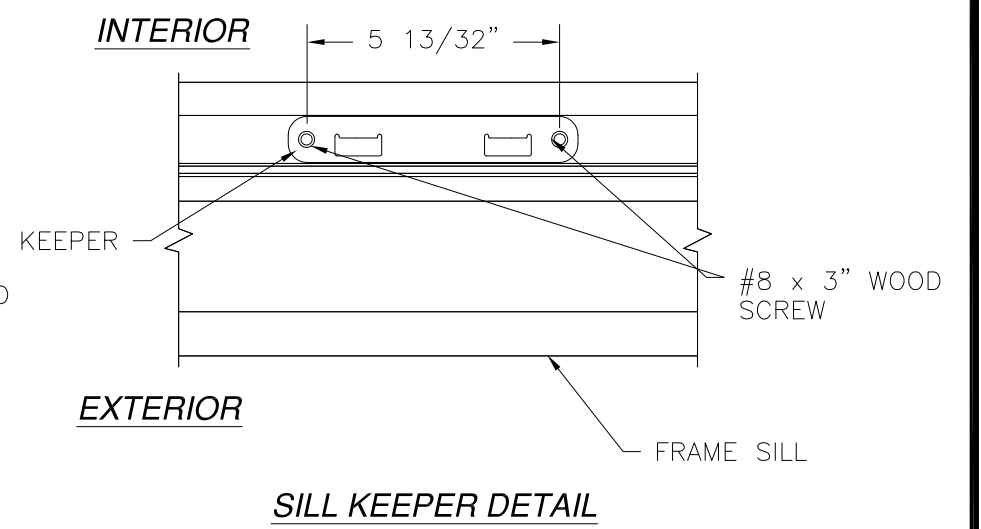
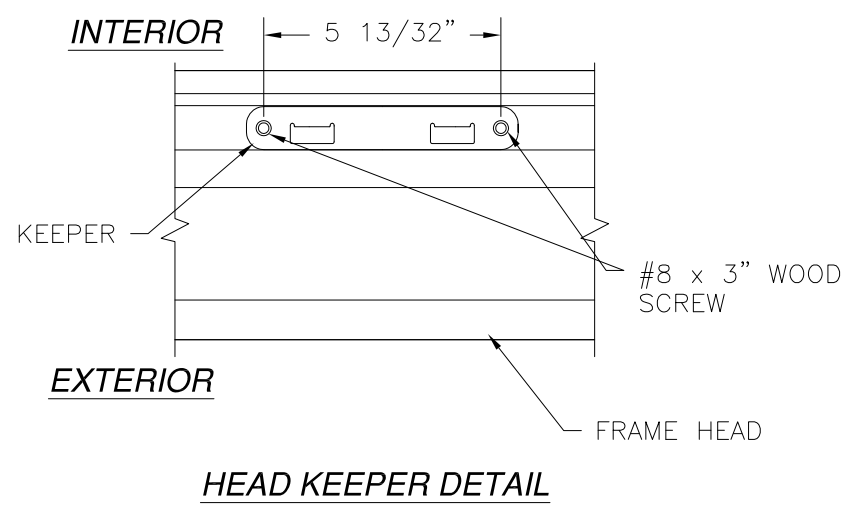
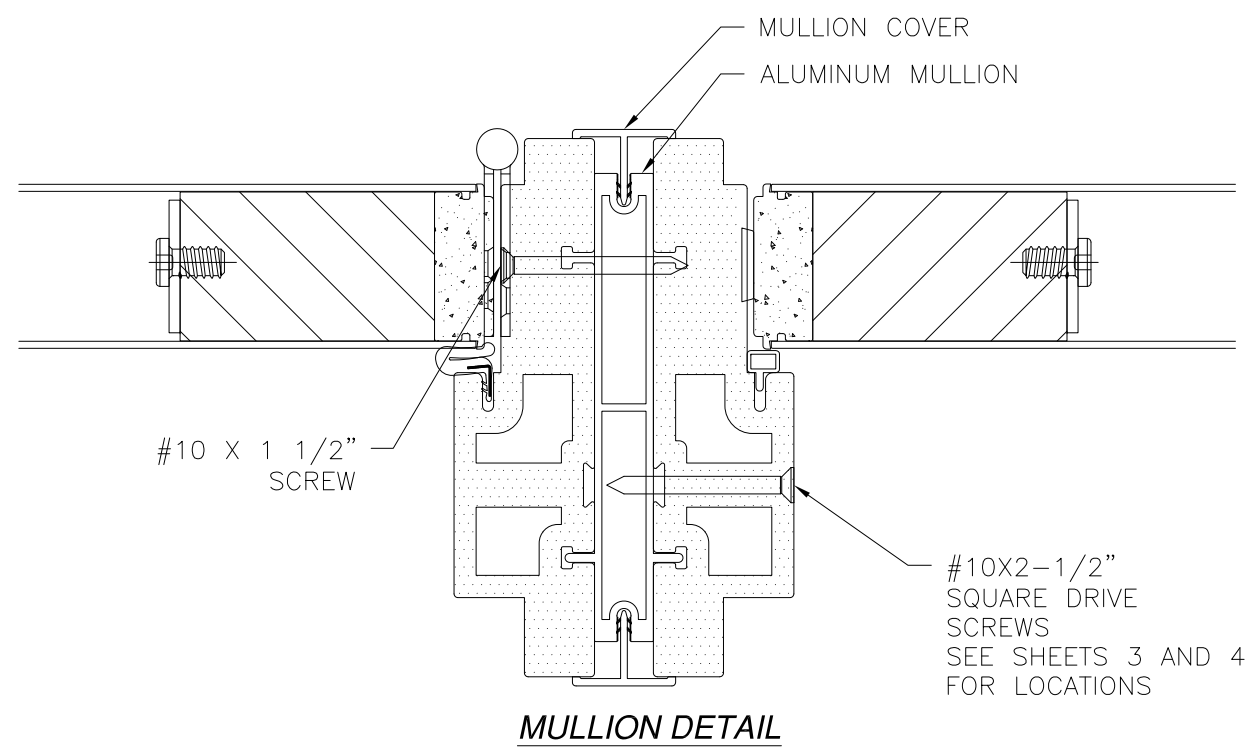
IN-SWING ENTRANCE DOOR W/ SIDELITES
 FIBERGLASS IMPACT GLAZED
 ANCHORING LAYOUTS

DRAWN: V.L. DWG NO. 08-01549 REV A
 SCALE NTS DATE 04/30/12 SHEET 4 OF 8

SIGNED: 11/06/2014



| REVISIONS | | | |
|-----------|----------------------|----------|----------|
| REV | DESCRIPTION | DATE | APPROVED |
| A | ADDED EDGE DISTANCES | 11/05/14 | R.L. |

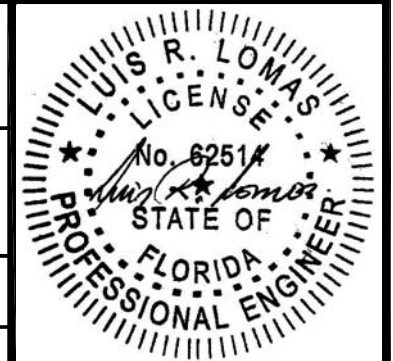


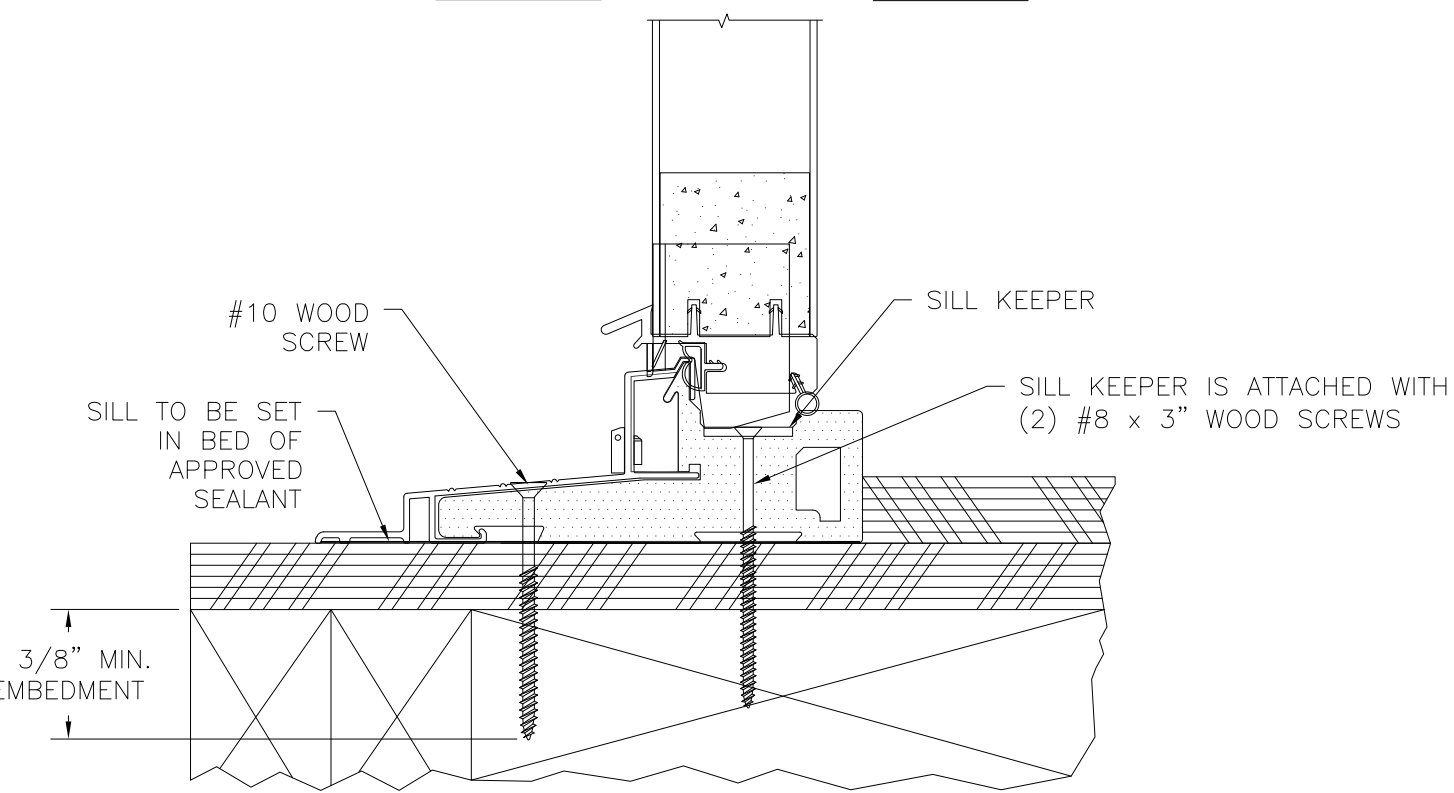
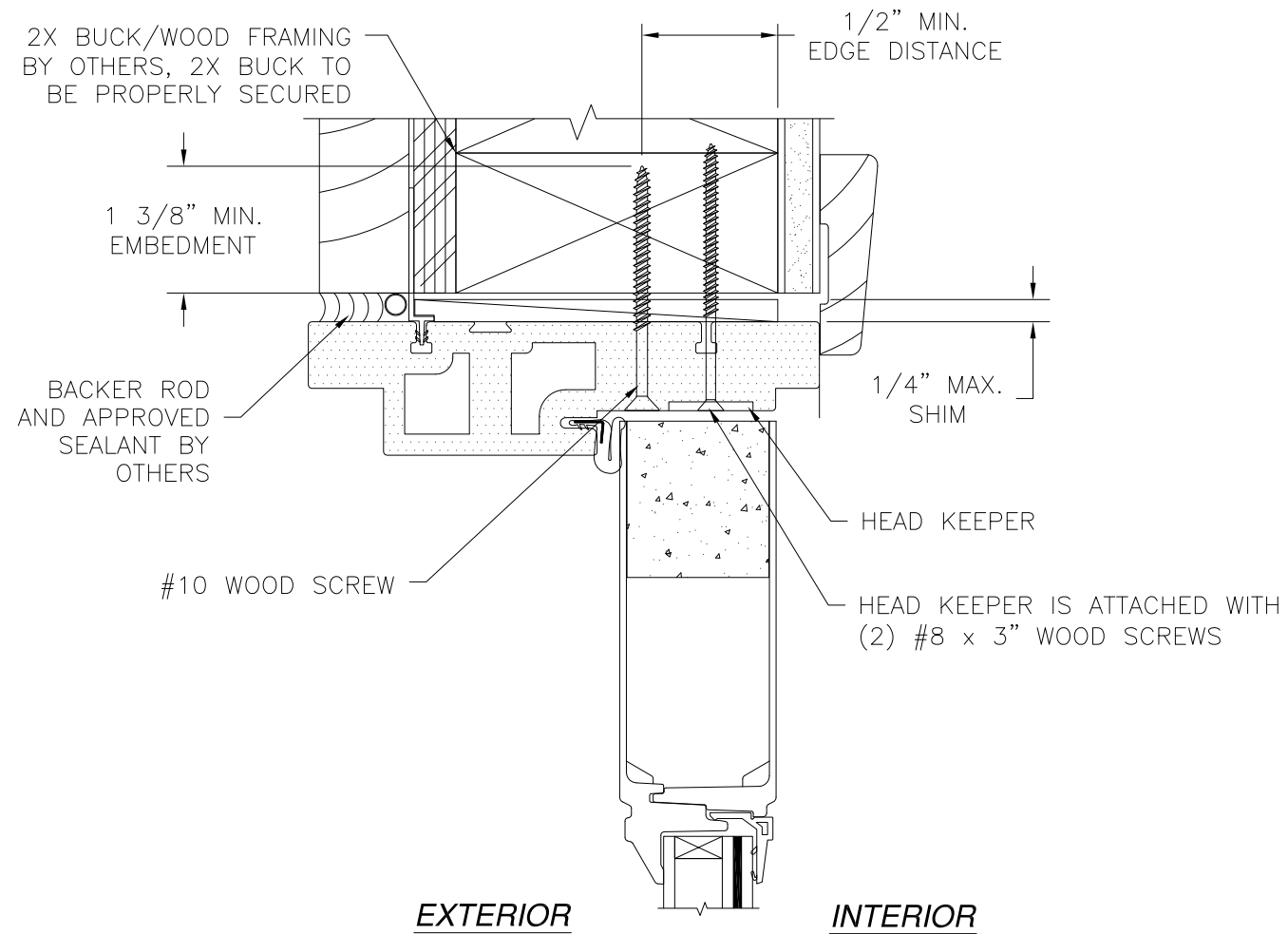
NAN YA PLASTICS CORP. USA
8989 NORTH LOOP EAST
HOUSTON, TX 77029

IN-SWING ENTRANCE DOOR W/ SIDELITES
FIBERGLASS IMPACT GLAZED
INSTALLATION DETAILS

DRAWN: V.L. DWG NO. 08-01549 REV A
SCALE NTS DATE 04/30/12 SHEET 5 OF 8

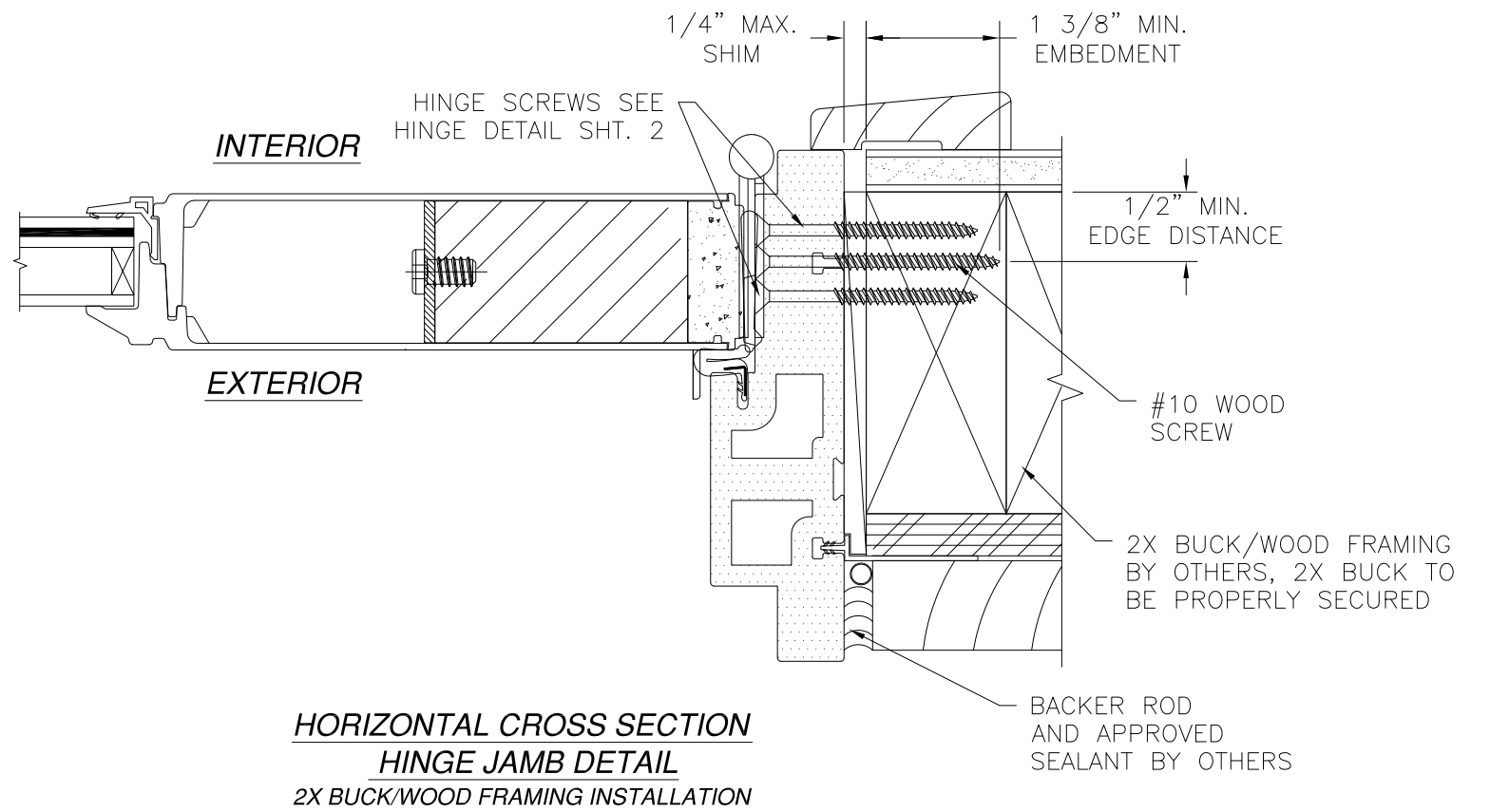
SIGNED: 11/06/2014





VERTICAL CROSS SECTION
DOOR SHOWN, SIDELITE SIMILAR
2X BUCKWOOD FRAMING INSTALLATION

| REVISIONS | | | |
|-----------|----------------------|----------|----------|
| REV | DESCRIPTION | DATE | APPROVED |
| A | ADDED EDGE DISTANCES | 11/05/14 | R.L |



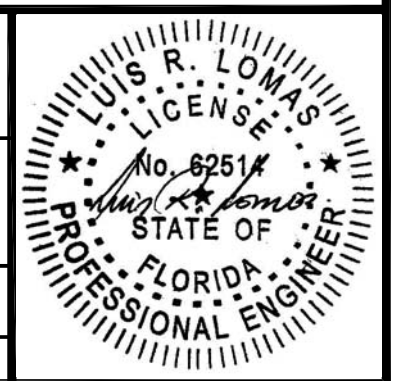
HORIZONTAL CROSS SECTION
HINGE JAMB DETAIL
2X BUCK/WOOD FRAMING INSTALLATION

SIGNED: 11/06/2014

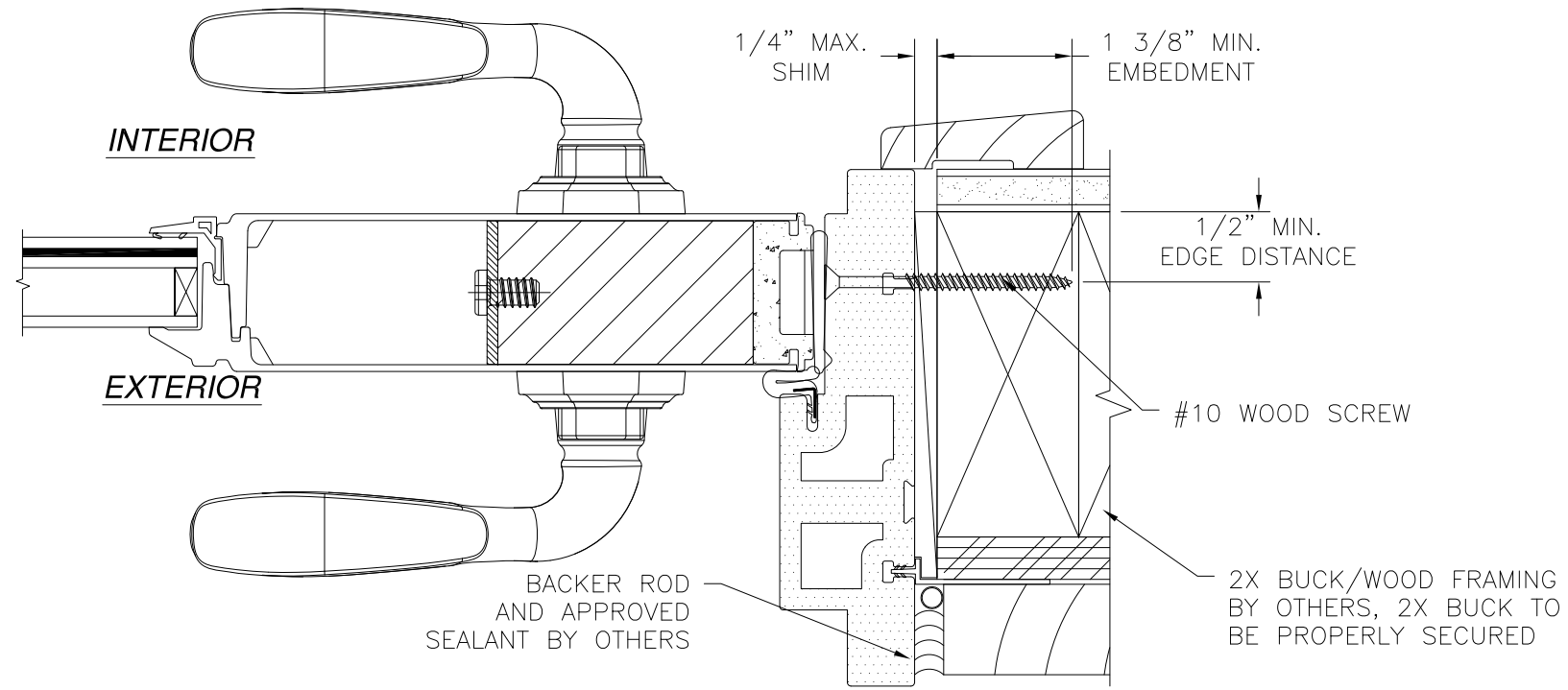
NAN YA PLASTICS CORP. USA
8989 NORTH LOOP EAST
HOUSTON, TX 77029

IN-SWING ENTRANCE DOOR W/ SIDELITES
FIBERGLASS IMPACT GLAZED
INSTALLATION DETAILS

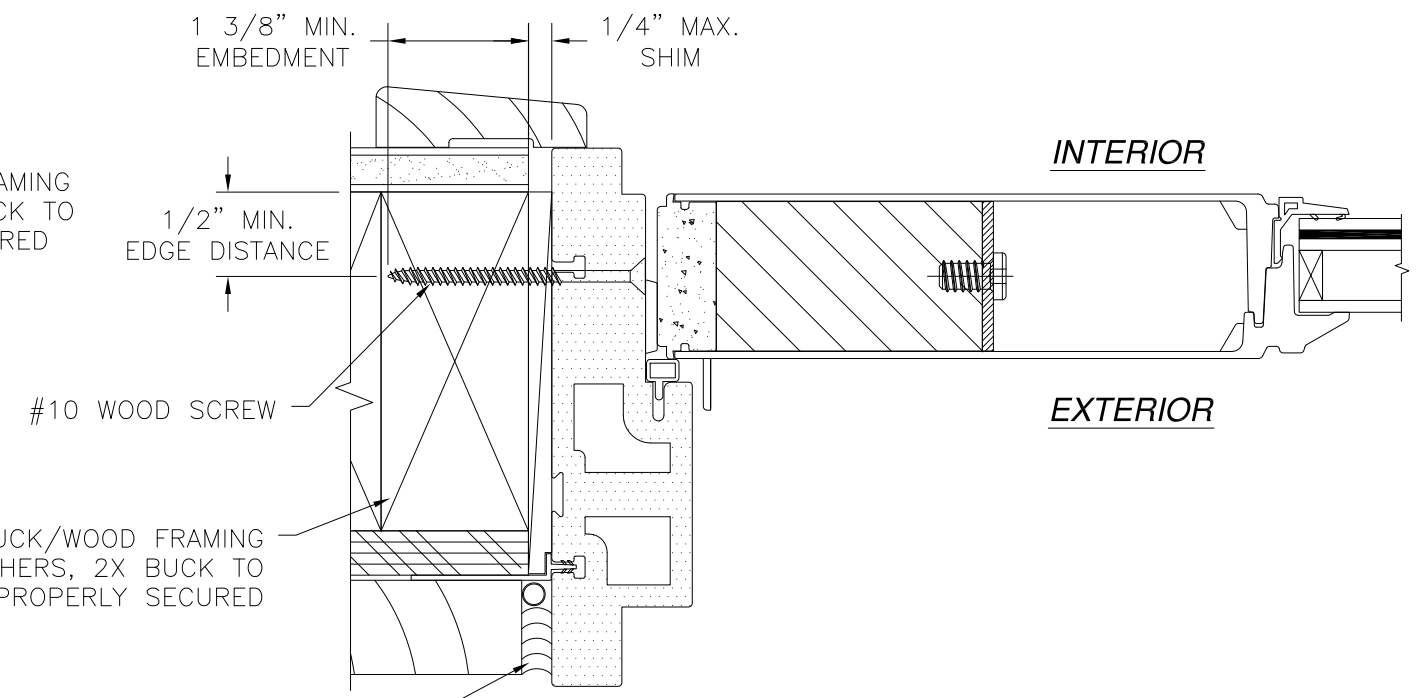
| | | |
|----------------|---------------------|--------------|
| DRAWN: V.L. | DWG NO. 08-01549 | REV A |
| SCALE NTS | DATE 04/30/12 | SHEET 6 OF 8 |



| REVISIONS | | | |
|-----------|----------------------|----------|----------|
| REV | DESCRIPTION | DATE | APPROVED |
| A | ADDED EDGE DISTANCES | 11/05/14 | R.L |



**HORIZONTAL CROSS SECTION
STRIKE JAMB DETAIL**
2X BUCK/WOOD FRAMING INSTALLATION



**HORIZONTAL CROSS SECTION
SIDELITE JAMB DETAIL**
2X BUCK/WOOD FRAMING INSTALLATION

SIGNED: 11/06/2014

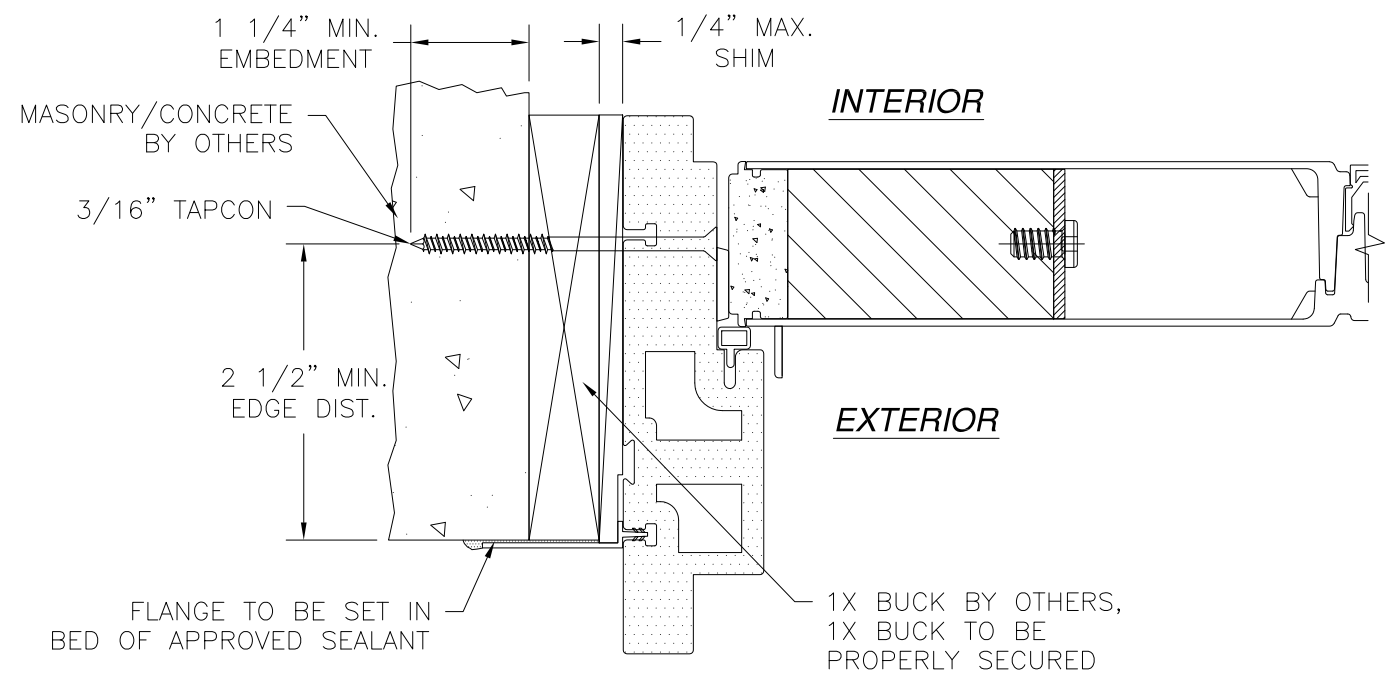
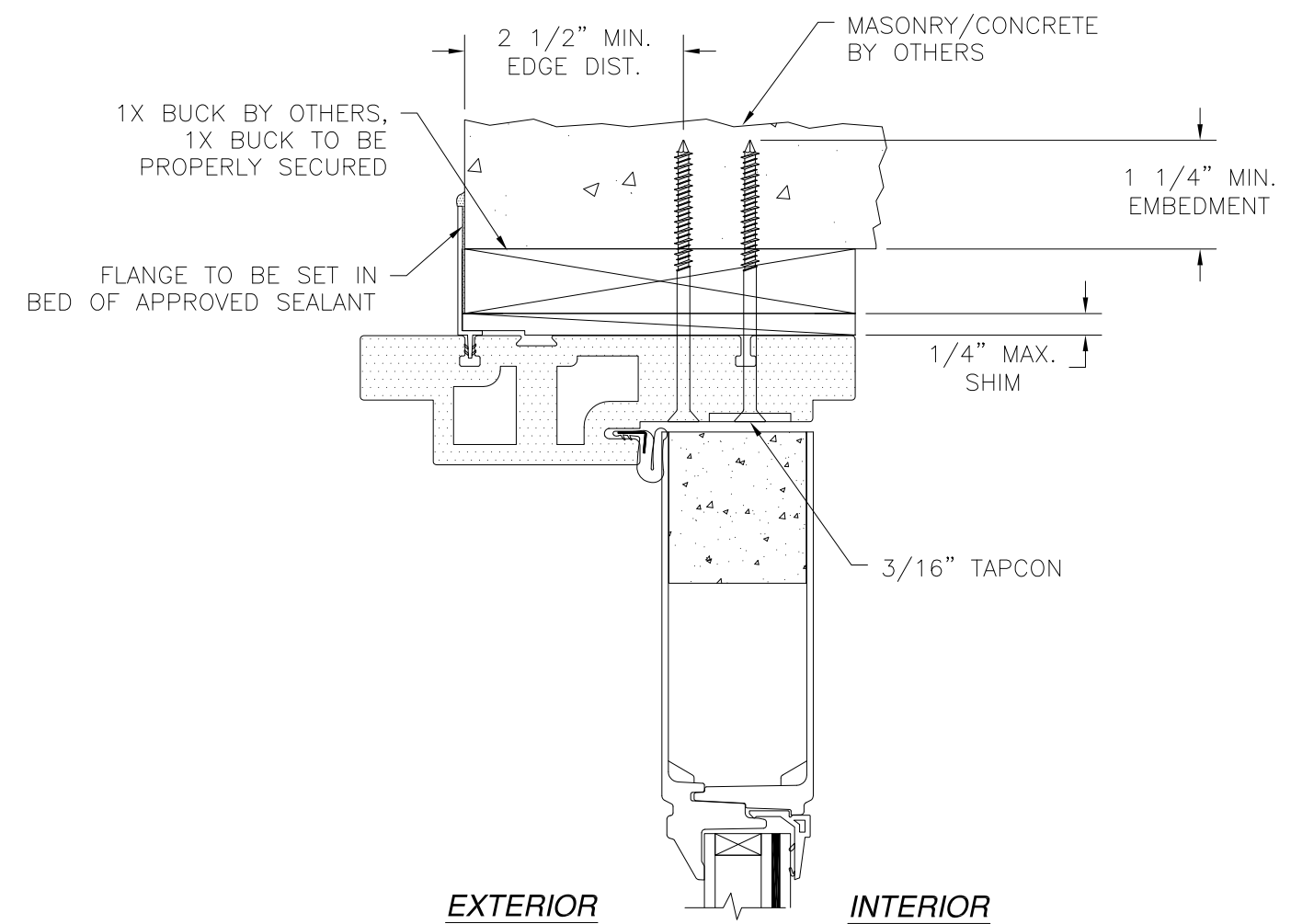
NAN YA PLASTICS CORP. USA
8989 NORTH LOOP EAST
HOUSTON, TX 77029

IN-SWING ENTRANCE DOOR W/ SIDELITES
FIBERGLASS IMPACT GLAZED
INSTALLATION DETAILS

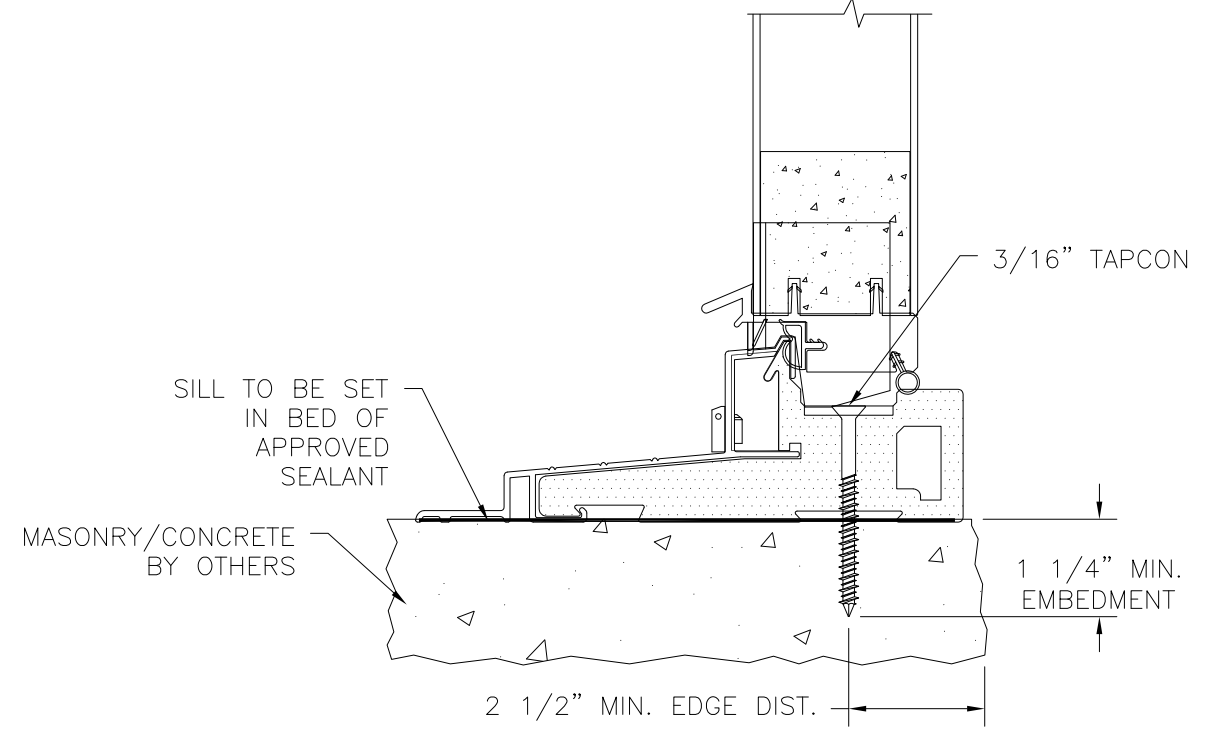
| | | |
|----------------|---------------------|--------------|
| DRAWN: V.L. | DWG NO. 08-01549 | REV A |
| SCALE NTS | DATE 04/30/12 | SHEET 7 OF 8 |



| REVISIONS | | | |
|-----------|----------------------|----------|----------|
| REV | DESCRIPTION | DATE | APPROVED |
| A | ADDED EDGE DISTANCES | 11/05/14 | R.L |



MASONRY/CONCRETE INSTALLATION
DOOR JAMB SHOWN, SIDELITE JAMB SIMILAR



MASONRY/CONCRETE INSTALLATION
DOOR SHOWN SIDELITE SIMILAR

SIGNED: 11/06/2014

| | | |
|---|---------------------|--------------|
| NAN YA PLASTICS CORP. USA 8989 NORTH LOOP EAST HOUSTON, TX 77029 | | |
| IN-SWING ENTRANCE DOOR W/ SIDELITES FIBERGLASS IMPACT GLAZED INSTALLATION DETAILS | | |
| DRAWN: V.L. | DWG NO. 08-01549 | REV A |
| SCALE NTS | DATE 04/30/12 | SHEET 8 OF 8 |

